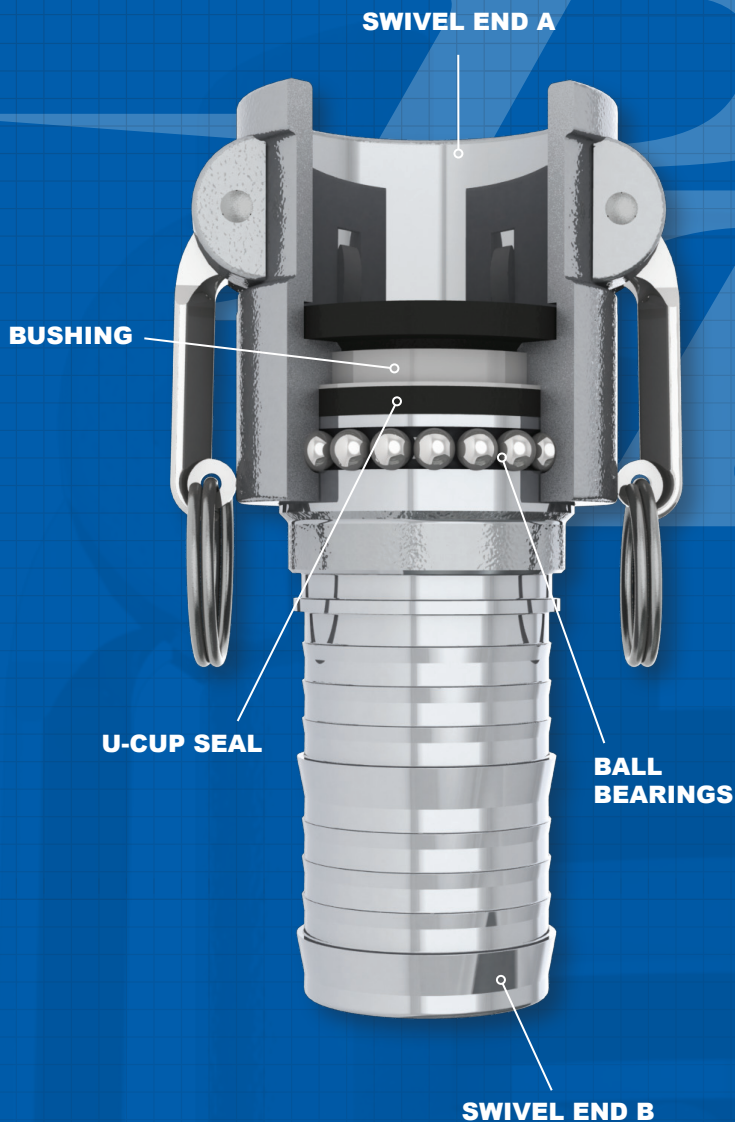




NEW



PT Coupling's Versatile Swivel System provides a new level of versatility in swivel applications. With more than 64 different configuration possibilities per size, now you can customize your swivel fittings to meet the needs of each unique application. The options for the Versatile Swivel are almost unlimited. The options include hose barbs, flanges, cam and groove, and NPT threads with various seal types and body materials.

The Versatile Swivels are manufactured in the USA in Aluminum and 316 Stainless Steel as well as other materials upon request. They feature stainless steel ball bearings for a smooth motion and durability. Fuel resistant Buna or Viton® are standard. Other seal materials are available by quote. Swivels are available in sizes 1.25" to 6". Versatile Swivels can easily be rebuilt in the field using genuine PT Coupling swivel repair kits. Versatile Swivels are rated to the same maximum working pressures as our standard cam and groove couplings.

PT Versatile Swivel System

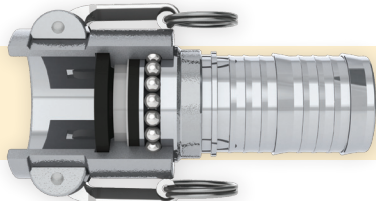
MADE in USA / 1-800-654-0320 / WWW.PTCOUPLING.COM





PT'S Versatile Swivel System

SWIVEL END A SWIVEL END B



FEMALE NPT



MALE NPT



ADAPTER



COUPLER



HOSE SHANK



VICTAULIC



BUTT WELD



SOCKET WELD



FEMALE NPT



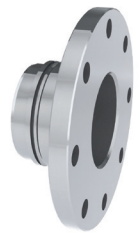
MALE NPT



HOSE SHANK



PIPE FLANGE



VICTAULIC



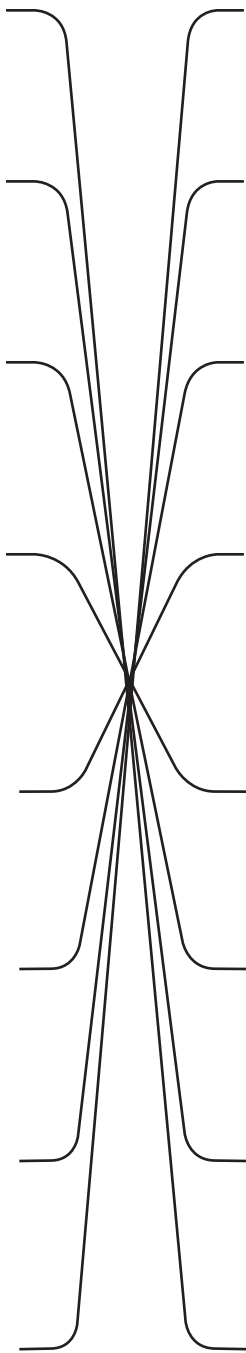
BUTT WELD



SOCKET WELD



TANK TRUCK FLANGE





VERSATILE SWIVEL ORDERING INFORMATION

(Select desired swivel ends below to determine swivel assembly part name)

VERSATILE SWIVEL ASSEMBLY NAMING CHART

		SWIVEL END B								
SWIVEL END A		FEMALE NPT THREAD	MALE NPT THREAD	HOSE SHANK.	SOCKET WELD	BUTT WELD	GROOVE (VICT)	PIPE FLANGE	TANK TRUCK FLG.	
		FEMALE NPT THREAD	##FFSV	##MFSV	##FSSV	##FWSSV	##FWBSV	##FGSV	PF##FSV	TTF##FSV
		MALE NPT THREAD	##MFSV	##MMSV	##MSSV	##MWSSV	##MWBSV	##MGSV	PF##MSV	TTF##MSV
		ADAPTER	##ASV	##FSV	##ESV	##AWSSV	##AWBSV	##AGSV	PF##ASV	TTF##ASV
		COUPLER	##DSV	##BSV	##CSV	##DWSSV	##DWBSV	##CGSV	PF##CSV	TTF##CSV
		HOSE SHANK	##FSSV	##MSSV	##HMSV	##SWSSV	##SWBSV	##SGSV	PF##SSV	TTF##SSV
		GROOVE(VICT)	##FGSV	##MGSV	##SGSV	##GWSSV	##GWBSV	##GGSV	PF##GSV	TTF##GSV
		BUTT WELD	##FWBSV	##MWBSV	##SWBSV	##WSWBSV	##WBWBSV	##GWBSV	PF##WBSV	TF##WBSV
		SOCKET WELD	##FWSSV	##MWSSV	##SWSSV	##WSWSSV	##WSWBSV	##GWSSV	PF##WSSV	TTF##WSSV

Select desired size ##	
Sizes Available	PT Description
1.25"	12
1.5"	15
2"	20
2.5"	25
3"	30
4"	40
5"	50
6"	60

Select Desired Body Material	
316 Stainless Steel	SS
Aluminum	ALUM

Select Desired Seal Material
Buna N
Viton®
Teflon®

Pipe Flange bolt pattern conforms to ANSI B16.5 Class 150

Pressure ratings on Versatile Swivels are the same as standard cam & groove fittings. Contact PT Coupling if additional pressure is required.

**Because the Teflon® seal is an o-ring, it could be more difficult to rotate compared to a Buna or Viton® u-cup seal.*

Using Information from above charts develop complete swivel description by filling in blanks			
Assembly size & part name	Body Material	Seal Material	All Swivels come standard with out a grease zerk, but grease zerks are available upon request
Example 1: 30CSV ALUM BUNA			(Explanation) 3" Female coupler by hose shank Aluminum swivel with Buna seal

All registered trademarks are the property of their respective owners.

*Please call for stock availability