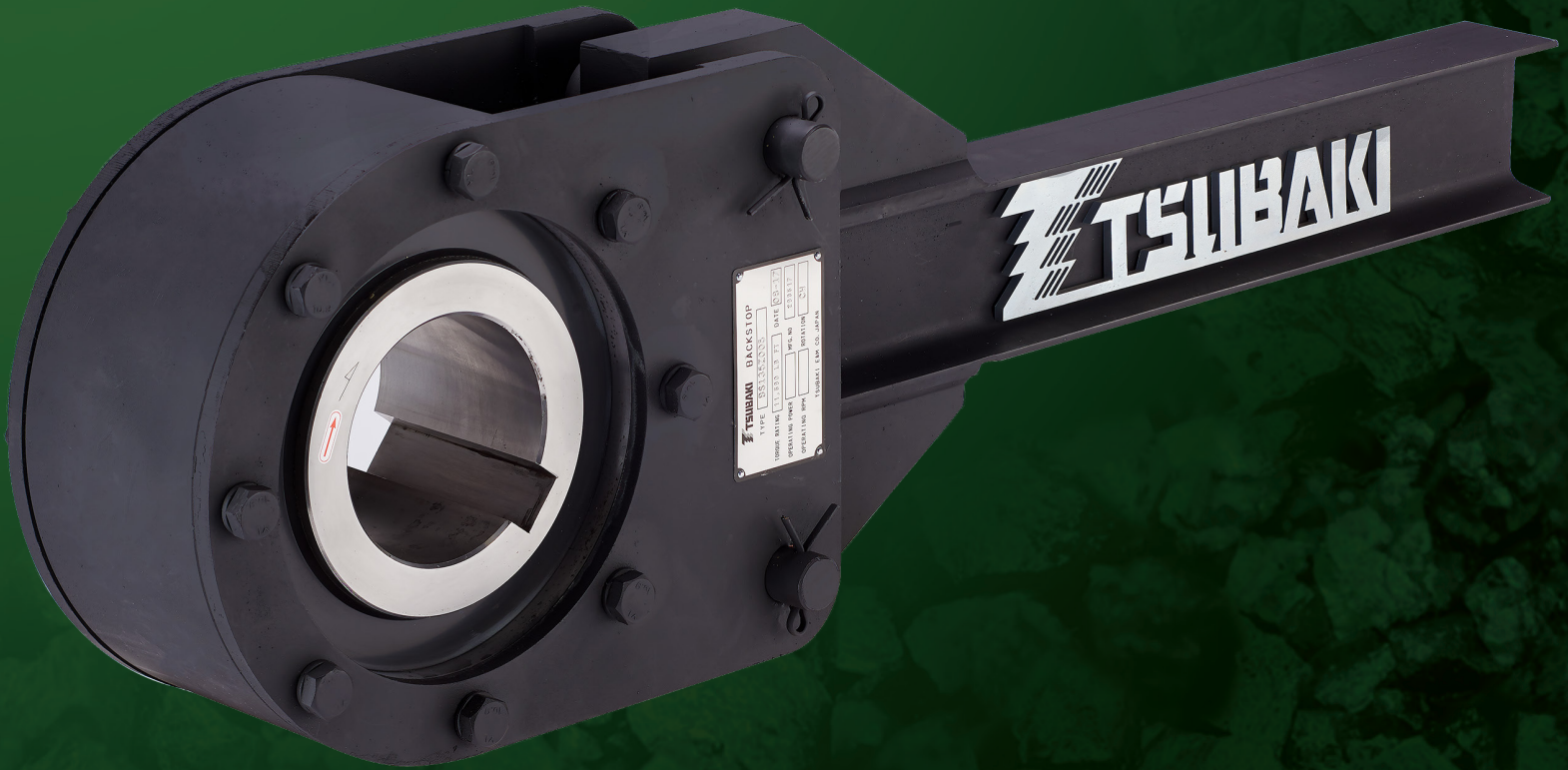




# New BS-F Series Backstops

Superior Performance in the  
Harshest Environments



# BS-F SERIES BACKSTOPS: MADE TO WITHSTAND

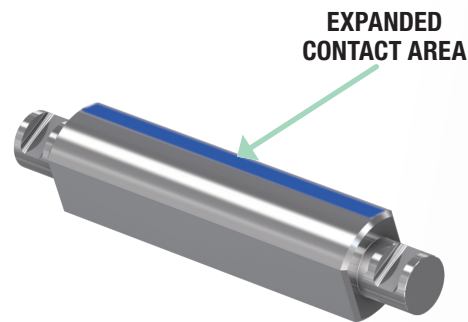
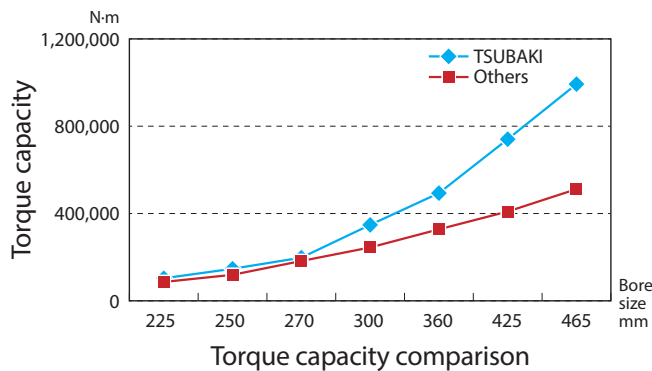
## BS-F Series Backstops

Tsubaki's new BS-F Series backstops are designed for simple, drop-in installations to all major competitive backstop products. These backstops use a unique seal design for maximum life with minimal maintenance. With Tsubaki's innovative design features, our backstops ensure efficient and dependable operation in the harshest environments.

### INNOVATIVE FEATURES

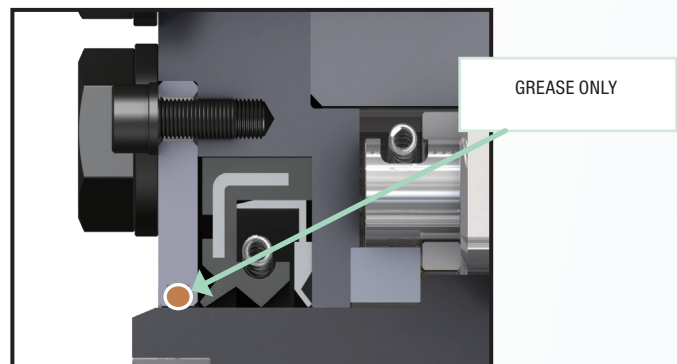
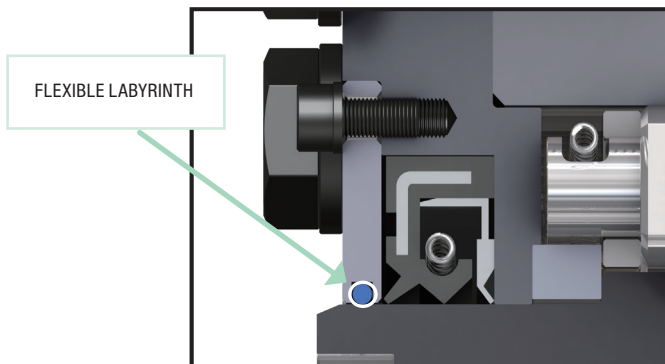
#### Non-Rollover Cam

Tsubaki's original cam design provides higher torque ratings than the leading competitors due to the larger profile and greater contact area. This improves performance and prevents costly and potentially dangerous roll over.



#### Special Labyrinth Seal

Tsubaki's new seal design prevents the ingress of dust and other contaminants typically found in mining and cement plants and extends the life of the lubricant. This feature minimizes heat generation and provides trouble-free service with minimal scheduled maintenance.



# WITHSTAND THE TOUGHEST APPLICATIONS

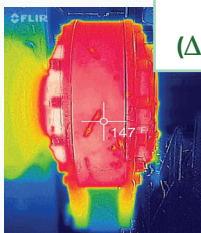
## Grease Lubrication

Tsubaki offers synthetic grease lubrication in a sealed backstop design. The breather element is eliminated. There is no need to monitor oil levels, refill the backstop or worry about moisture in the lubricant. This virtually eliminates maintenance and provides trouble-free performance.

AMBIENT TEMPERATURE 60°F



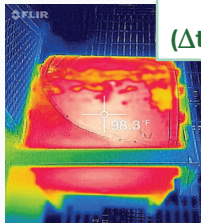
Marland  
BC-180MA



147°F  
( $\Delta t = 87^\circ\text{F}$ )

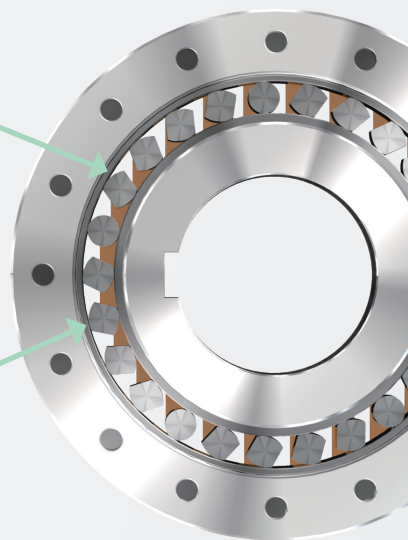


TUBAKI  
BS2TOHS



98.3°F  
( $\Delta t = 38.3^\circ\text{F}$ )

CAM  
COOLER  
RUNNING  
PERFORMANCE  
ROLLER



## Drop-In Design

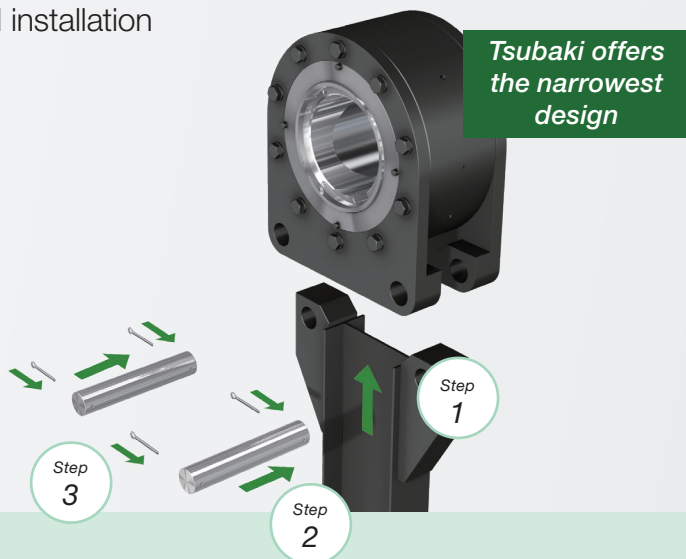
Tsubaki offers the narrowest backstop with an I-beam torque arm. This assures a quick and easy field replacement and installation with major competitive products.

### 3 STEP EASY CONNECTION

**Step 1:** Insert I-beam torque arm into clutch

**Step 2:** Insert lock pins through flange plate and secure torque arm

**Step 3:** Insert retaining pins into lock pins

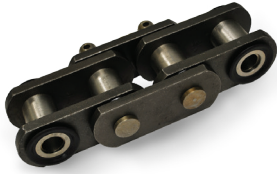


## Typical Industries

- Mining (Coal, Copper, Potash) — Backstops are used in inclined conveyors and bucket elevators for transporting raw material to processing centers
- Power Generating Plants — Backstops can be seen in coal burning plants which rely on inclined conveyors to transfer coal from the stockpile to the boiler rooms
- Cement Plants — Backstops are used in bucket elevators and inclined conveyors for moving limestone and clay to crushers and silos

**PROTECT YOUR OPERATION! CALL 800.323.7790**

# More innovative solutions from Tsubaki



**SEALED JOINT  
CHAIN OPTIONS**



**BACKSTOPS &  
OVERRUNNING  
CLUTCHES**



**STEEL CABLE  
CARRIERS**



**CONTINUOUS-  
FLEX CABLES**



**SMART TOOTH®  
SPROCKETS**



**TITAN™ SERIES  
CHAINS**



## EXCELLENCE THROUGH INNOVATION SINCE 1917

For over 100 years, Tsubaki has developed and manufactured the highest-quality products for power transmission and motion control. With a vast network of global production facilities, R&D resources and sales offices, Tsubaki remains committed to providing innovative solutions to customers' problems for the next 100 years.

[ustsubaki.com](http://ustsubaki.com)



**Corporate Headquarters**  
U.S. Tsubaki Power Transmission, LLC  
301 E. Marquardt Drive  
Wheeling, IL 60090  
Tel: 800.323.7790



**Roller Chain Division**  
821 Main St.  
Holyoke, MA 01040  
Tel: 800.323.7790



**Conveyor & Construction  
Chain Division**  
1010 Edgewater Drive  
Sandusky, OH 44870  
Tel: 800.537.6140



**Sprocket Manufacturing**  
1630 Drew Road  
Mississauga, ON L5S 1J6  
Tel: 800.323.7790



**Cable & Hose  
Carrier Division**  
7100 W. Marcia Road  
Milwaukee, WI 53223  
Tel: 800.443.4216

Note: In accordance with the policy of U.S. Tsubaki Power Transmission, LLC to consistently improve its products, the specifications in this brochure are subject to change without notice. The logos, brand names or product names in this brochure are trademarks or registered trademarks of Tsubakimoto Chain Co. and its subsidiaries in Japan, the U.S. and other countries.