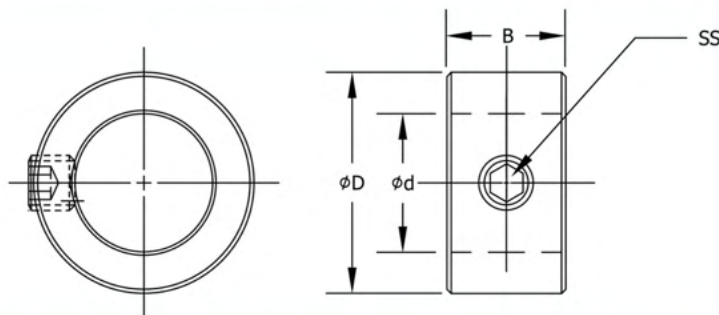


Set Screw Shaft Collar

- Traditional cost effective design complete with standard hollow point set screw



Bore Diameter (d)	Outside Diameter (D)	Zinc Plated Steel	Black Oxide Steel	Stainless Steel	Width (B)	Clamp Screw	Weight Lbs
0.1250"	0.3750"	SC1/8-ZP	SC1/8-BO	SC1/8-SS	0.2500"	6-32 x 1/8	0.008
0.1875"	0.4375"	SC3/16-ZP	SC3/16-BO	SC3/16-SS	0.2500"	8-32 x 1/8	0.008
0.2500"	0.5000"	SC1/4-ZP	SC1/4-BO	SC1/4-SS	0.3125"	10-32 x 1/8	0.012
0.3125"	0.6250"	SC5/16-ZP	SC5/16-BO	SC5/16-SS	0.3125"	10-32 x 1/8	0.020
0.3750"	0.7500"	SC3/8-ZP	SC3/8-BO	SC3/8-SS	0.3750"	1/4-20 x 3/16	0.032
0.4375"	0.8750"	SC7/16-ZP	SC7/16-BO	SC7/16-SS	0.4375"	1/4-20 x 1/4	0.052
0.5000"	1.0000"	SC1/2-ZP	SC1/2-BO	SC1/2-SS	0.4375"	1/4-20x 1/4	0.068
0.5625"	1.0000"	SC9/16-ZP	SC9/16-BO	SC9/16-SS	0.4375"	1/4-20x 1/4	0.064
0.6250"	1.0000"	SC5/8-ZP	SC5/8-BO	SC5/8-SS	0.5000"	5/16-18x 1/4	0.092
0.6875"	1.2500"	SC11/16-ZP	SC11/16-BO	SC11/16-SS	0.5625"	5/16-18x 1/4	0.130
0.7500"	1.2500"	SC3/4-ZP	SC3/4-BO	SC3/4-SS	0.5625"	5/16-18x 1/4	0.120
0.8125"	1.2500"	SC13/16-ZP	SC13/16-BO	SC13/16-SS	0.5625"	5/16-18x 1/4	0.124
0.8750"	1.5000"	SC7/8-ZP	SC7/8-BO	SC7/8-SS	0.5625"	5/16-18x 5/16	0.176
0.9375"	1.5000"	SC15/16-ZP	SC15/16-BO	SC15/16-SS	0.5625"	5/16-18x 5/16	0.160
1.0000"	1.5000"	SC1-ZP	SC1-BO	SC1-SS	0.6250"	5/16-18x 5/16	0.220
1.0625"	1.7500"	SC1 1/16-ZP	SC1 1/16-BO	SC1 1/16-SS	0.6250"	5/16-18x 5/16	0.256
1.1250"	1.7500"	SC1 1/8-ZP	SC1 1/8-BO	SC1 1/8-SS	0.6250"	5/16-18x 5/16	0.240
1.1875"	2.0000"	SC1 3/16-ZP	SC1 3/16-BO	SC1 3/16-SS	0.6875"	3/8-16 x 3/8	0.380
1.2500"	2.0000"	SC1 1/4-ZP	SC1 1/4-BO	SC1 1/4-SS	0.6875"	3/8-16 x 3/8	0.352
1.3125"	2.1250"	SC1 5/16-ZP	SC1 5/16-BO	SC1 5/16-SS	0.6875"	3/8-16 x 3/8	0.410
1.3750"	2.1250"	SC1 3/8-ZP	SC1 3/8-BO	SC1 3/8-SS	0.7500"	3/8-16 x 3/8	0.420
1.4375"	2.2500"	SC1 7/16-ZP	SC1 7/16-BO	SC1 7/16-SS	0.7500"	3/8-16 x 3/8	0.480
1.5000"	2.2500"	SC1 1/2-ZP	SC1 1/2-BO	SC1 1/2-SS	0.7500"	3/8-16 x 3/8	0.450
1.5625"	2.5000"	SC1 9/16-ZP	SC1 9/16-BO	SC1 9/16-SS	0.8125"	3/8-16 x 3/8	0.670
1.6250"	2.5000"	SC1 5/8-ZP	SC1 5/8-BO	SC1 5/8-SS	0.8125"	3/8-16 x 3/8	0.630

Dimension	Bore	Tolerance
Bore, Inch	1/16 " to 1/2 "	+ .0005/+ .0025
Bore, Inch	9/16" to 2"	+ .0005/+ .0030
Bore, Inch	Over 2 "	+ .0010/+ .0040

US Corporate Headquarters:
 2100 Pacific Street
 Hauppauge NY, 11788
www.tritanpt.com



Exclusively Manufactured by:



888-4-Bearings

Set Screw Shaft Collar

Bore Diameter (d)	Outside Diameter (D)	Zinc Plated Steel	Black Oxide Steel	Stainless Steel	Width (B)	Clamp Screw	Weight Lbs
1.6875"	2.5000"	SC1 11/16-ZP	SC1 11/16-BO	SC1 11/16-SS	0.8125"	3/8-16 x 3/8	0.590
1.7500"	2.6250"	SC1 3/4-ZP	SC1 3/4-BO	SC1 3/4-SS	0.8750"	1/2-13 x 1/2	0.710
1.8125"	2.7500"	SC1 13/16-ZP	SC1 13/16-BO	SC1 13/16-SS	0.8750"	1/2-13 x 1/2	0.790
1.8750"	2.7500"	SC1 7/8-ZP	SC1 7/8-BO	SC1 7/8-SS	0.8750"	1/2-13 x 1/2	0.760
1.9375"	3.0000"	SC1 15/16-ZP	SC1 15/16-BO	SC1 15/16-SS	0.8750"	1/2-13 x 1/2	0.980
2.0000"	3.0000"	SC2-ZP	SC2-BO	SC2-SS	0.8750"	1/2-13 x 1/2	0.930
2.1250"	3.0000"	SC2 1/8-ZP	SC2 1/8-BO	SC2 1/8-SS	0.8750"	1/2-13 x 1/2	0.830
2.1875"	3.2500"	SC2 3/16-ZP	SC2 3/16-BO	SC2 3/16-SS	0.9375"	1/2-13 x 1/2	0.730
2.2500"	3.2500"	SC2 1/4-ZP	SC2 1/4-BO	SC2 1/4-SS	0.9375"	1/2-13 x 1/2	0.675
2.3125"	3.2500"	SC2 5/16-ZP	SC2 5/16-BO	SC2 5/16-SS	0.9375"	1/2-13 x 1/2	1.040
2.375"	3.2500"	SC2 3/8-ZP	SC2 3/8-BO	SC2 3/8-SS	0.9375"	1/2-13 x 1/2	0.980
2.4375"	3.5000"	SC2 7/16-ZP	SC2 7/16-BO	SC2 7/16-SS	1.0000"	1/2-13 x 1/2	1.340
2.5000"	3.5000"	SC2 1/2-ZP	SC2 1/2-BO	SC2 1/2-SS	1.0000"	1/2-13 x 1/2	1.260
2.5625"	3.7500"	SC2 9/16-ZP	SC2 9/16-BO	SC2 9/16-SS	1.0000"	1/2-13 x 1/2	1.550
2.6250"	4.0000"	SC2 5/8-ZP	SC2 5/8-BO	SC2 5/8-SS	1.1250"	1/2-13 x 1/2	2.180
2.6875"	4.0000"	SC2 11/16-ZP	SC2 11/16-BO	SC2 11/16-SS	1.1250"	1/2-13 x 1/2	2.180
2.7500"	4.0000"	SC2 3/4-ZP	SC2 3/4-BO	SC2 3/4-SS	1.1250"	1/2-13 x 1/2	2.090
2.8125"	4.0000"	SC2 13/16-ZP	SC2 13/16-BO	SC2 13/16-SS	1.1250"	1/2-13 x 1/2	2.020
2.8750"	4.0000"	SC2 7/8-ZP	SC2 7/8-BO	SC2 7/8-SS	1.1250"	1/2-13 x 1/2	1.860
2.9375"	4.0000"	SC2 15/16-ZP	SC2 15/16-BO	SC2 15/16-SS	1.1250"	1/2-13 x 1/2	1.830
3.0000"	4.0000"	SC3-ZP	SC3-BO	SC3-SS	1.1250"	1/2-13 x 1/2	2.320
3.1875"	4.2500"	SC3 3/16-ZP	SC3 3/16-BO	SC3 3/16-SS	1.1250"	1/2-13 x 1/2	1.940
3.4375"	4.5000"	SC3 7/16-ZP	SC3 7/16-BO	SC3 7/16-SS	1.1250"	1/2-13 x 1/2	2.060
3.5000"	4.7500"	SC3 1/2-ZP	SC3 1/2-BO	SC3 1/2-SS	1.1250"	1/2-13 x 1/2	2.540
3.9375"	5.0000"	SC3 15/16-ZP	SC3 15/16-BO	SC3 15/16-SS	1.1250"	1/2-13 x 1/2	2.350
4.0000"	5.0000"	SC4-ZP	SC4-BO	SC4-SS	1.1250"	1/2-13 x 1/2	2.438

Dimension	Bore	Tolerance
Bore, Inch	1/16 " to 1/2 "	+ .0005/+ .0025
Bore, Inch	9/16" to 2"	+ .0005/+ .0030
Bore, Inch	Over 2 "	+ .0010/+ .0040

US Corporate Headquarters:
 2100 Pacific Street
 Hauppauge NY, 11788
www.tritanpt.com



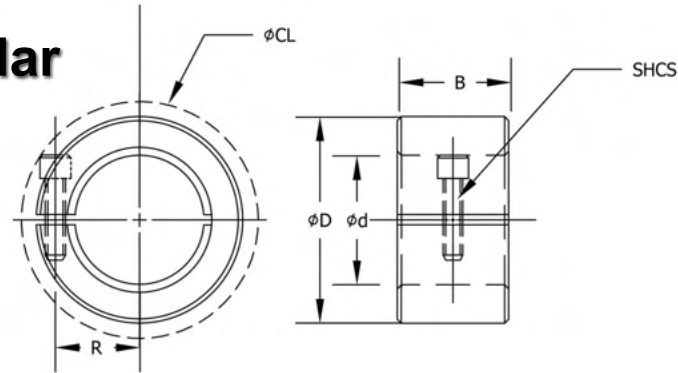
Exclusively Manufactured by:



888-4-Bearings

One-Piece Clamp Style Shaft Collar

- Greater axial holding power than set screw collars
- Fully engages without marring the shaft
- Effective on hard or soft shafts



Bore Diameter (d)	Outside Diameter (D)	Zinc Plated Steel	Black Oxide Steel	Stainless Steel	Width (B)	Clamp Screw	Weight Lbs
0.1250"	0.3750"	SC1/8S-ZP	SC1/8S-BO	SC1/8S-SS	0.2500"	4-40 x 3/8	0.008
0.1875"	0.4375"	SC3/16S-ZP	SC3/16S-BO	SC3/16S-SS	0.2500"	4-40 x 3/8	0.008
0.2500"	0.5000"	SC1/4S-ZP	SC1/4S-BO	SC1/4S-SS	0.3125"	4-40 x 3/8	0.012
0.3125"	0.6250"	SC5/16S-ZP	SC5/16S-BO	SC5/16S-SS	0.3125"	4-40 x 3/8	0.020
0.3750"	0.7500"	SC3/8S-ZP	SC3/8S-BO	SC3/8S-SS	0.3750"	6-32 x 3/8	0.032
0.4375"	0.8750"	SC7/16S-ZP	SC7/16S-BO	SC7/16S-SS	0.4375"	6-32 x 3/8	0.052
0.5000"	1.0000"	SC1/2S-ZP	SC1/2S-BO	SC1/2S-SS	0.4375"	8-32 x 1/2	0.068
0.6250"	1.0000"	SC5/8S-ZP	SC5/8S-BO	SC5/8S-SS	0.5000"	10-32 x 1/2	0.092
0.7500"	1.2500"	SC3/4S-ZP	SC3/4S-BO	SC3/4S-SS	0.5625"	1/4-28 x 5/8	0.120
0.8750"	1.5000"	SC7/8S-ZP	SC7/8S-BO	SC7/8S-SS	0.5625"	1/4-28 x 5/8	0.176
0.9375"	1.5000"	SC15/16S-ZP	SC15/16S-BO	SC15/16S-SS	0.5625"	1/4-28 x 5/8	0.160
1.0000"	1.5000"	SC15-ZP	SC15-BO	SC15-SS	0.6250"	1/4-28 x 5/8	0.220
1.1250"	1.7500"	SC1 1/8S-ZP	SC1 1/8S-BO	SC1 1/8S-SS	0.6250"	1/4-28 x 3/4	0.240
1.1875"	2.0000"	SC1 3/16S-ZP	SC1 3/16S-BO	SC1 3/16S-SS	0.6875"	1/4-28 x 3/4	0.380
1.2500"	2.0000"	SC1 1/4S-ZP	SC1 1/4S-BO	SC1 1/4S-SS	0.6875"	1/4-28 x 3/4	0.352
1.3750"	2.1250"	SC1 3/8S-ZP	SC1 3/8S-BO	SC1 3/8S-SS	0.7500"	1/4-28 x 3/4	0.420
1.4375"	2.2500"	SC1 7/16S-ZP	SC1 7/16S-BO	SC1 7/16S-SS	0.7500"	1/4-28 x 3/4	0.480
1.5000"	2.2500"	SC1 1/2S-ZP	SC1 1/2S-BO	SC1 1/2S-SS	0.7500"	1/4-28 x 3/4	0.450

Dimension	Tolerance
Bore, Inch	+ .003/- .000

US Corporate Headquarters:
2100 Pacific Street
Hauppauge NY, 11788
www.tritanpt.com



Exclusively Manufactured by:



888-4-Bearings

One-Piece Clamp Style Shaft Collar

Bore Diameter (d)	Outside Diameter (D)	Zinc Plated Steel	Black Oxide Steel	Stainless Steel	Width (B)	Clamp Screw	Weight Lbs
1.7500"	2.6250"	SC1 3/4S-ZP	SC1 3/4S-BO	SC1 3/4S-SS	0.8750"	5/16-24 x 7/8	0.710
1.9375"	3.0000"	SC1 15/16S-ZP	SC1 15/16S-BO	SC1 15/16S-SS	0.8750"	5/16-24 x 7/8	0.980
2.0000"	3.0000"	SC2S-ZP	SC2S-BO	SC2S-SS	0.8750"	5/16-24 x 7/8	0.930
2.0625"	3.2500"	SC2 1/16S-ZP	SC2 1/16S-BO	SC2 1/16S-SS	0.7500"	5/16-24 x 1	0.725
2.1250"	3.2500"	SC2 1/8S-ZP	SC2 1/8S-BO	SC2 1/8S-SS	0.7500"	5/16-24 x 1	0.950
2.1875"	3.2500"	SC2 3/16S-ZP	SC2 3/16S-BO	SC2 3/16S-SS	0.7500"	5/16-24 x 1	0.900
2.2500"	3.2500"	SC2 1/4S-ZP	SC2 1/4S-BO	SC2 1/4S-SS	0.7500"	5/16-24 x 1	0.854
2.3125"	3.5000"	SC2 5/16S-ZP	SC2 5/16S-BO	SC2 5/16S-SS	0.7500"	5/16-24 x 1	0.854
2.3750"	3.5000"	SC2 3/8S-ZP	SC2 3/8S-BO	SC2 3/8S-SS	0.7500"	5/16-24 x 1	1.031
2.4375"	3.5000"	SC2 7/16S-ZP	SC2 7/16S-BO	SC2 7/16S-SS	0.7500"	5/16-24 x 1	0.975
2.5000"	3.7500"	SC2 1/2S-CO	SC2 1/2S-CO	SC2 1/2S-CO	0.8750"	3/8-24 x 7/8	1.440
2.5625"	3.8750"	SC2 9/16S-ZP	SC2 9/16S-BO	SC2 9/16S-SS	0.8750"	3/8-24 x 7/8	1.440
2.6250"	3.8750"	SC2 5/8S-ZP	SC2 5/8S-BO	SC2 5/8S-SS	0.8750"	3/8-24 x 7/8	1.490
2.6875"	4.0000"	SC2 11/16S-ZP	SC2 11/16S-BO	SC2 11/16S-SS	0.8750"	3/8-24 x 7/8	1.612
2.7500"	4.0000"	SC2 3/4S-ZP	SC2 3/4S-BO	SC2 3/4S-SS	0.8750"	3/8-24 x 7/8	1.825
2.8125"	4.2500"	SC2 13/16S-ZP	SC2 13/16S-BO	SC2 13/16S-SS	0.8750"	3/8-24 x 7/8	1.825
2.8750"	4.2500"	SC2 7/8S-ZP	SC2 7/8S-BO	SC2 7/8S-SS	0.8750"	3/8-24 x 7/8	1.825
2.9375"	4.2500"	SC2 15/16S-ZP	SC2 15/16S-BO	SC2 15/16S-SS	0.8750"	3/8-24 x 7/8	1.750
3.0000"	4.2500"	SC3S-ZP	SC3S-BO	SC3S-SS	0.8750"	3/8-24 x 7/8	1.675

Dimension	Tolerance
Bore, Inch	+ .003/- .000

US Corporate Headquarters:
 2100 Pacific Street
 Hauppauge NY, 11788
www.tritanpt.com

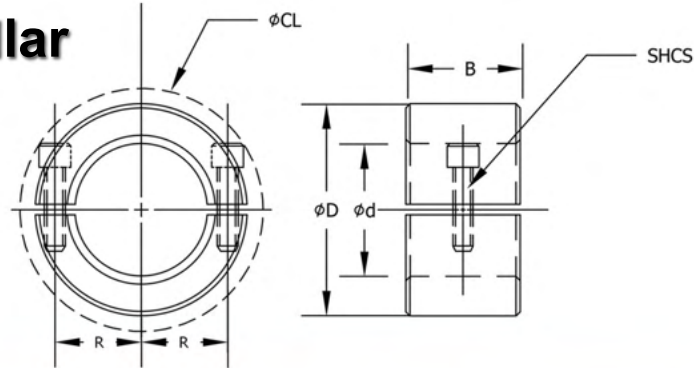


Exclusively Manufactured by:

 888-4-Bearings

Two-Piece Clamp Style Shaft Collar

- Easily installed in complex applications
- Greater holding power than solid set screw or one-piece clamp style collars
- Fully engages without marring the shaft
- Effective on hard or soft shafts



Bore Diameter (d)	Outside Diameter (D)	Zinc Plated Steel	Black Oxide Steel	Stainless Steel	Width (B)	Clamp Screw	Weight Lbs
0.2500"	0.500"	SC1/4D-ZP	SC1/4D-BO	SC1/4D-SS	0.3125"	4-40 x 3/8	0.012
0.3125"	0.625"	SC5/16D-ZP	SC5/16D-BO	SC5/16D-SS	0.3125"	4-40 x 3/8	0.020
0.3750"	0.750"	SC3/8D-ZP	SC3/8D-BO	SC3/8D-SS	0.3750"	6-32 x 3/8	0.032
0.4375"	0.875"	SC7/16D-ZP	SC7/16D-BO	SC7/16D-SS	0.4375"	6-32 x 3/8	0.052
0.5000"	1.000"	SC1/2D-ZP	SC1/2D-BO	SC1/2D-SS	0.4375"	8-32 x 1/2	0.068
0.6250"	1.000"	SC5/8D-ZP	SC5/8D-BO	SC5/8D-SS	0.5000"	10-32 x 1/2	0.092
0.6875"	1.25"	SC11/16D-ZP	SC11/16D-BO	SC11/16D-SS	0.5625"	10-32 x 1/2	0.130
0.7500"	1.250"	SC3/4D-ZP	SC3/4D-BO	SC3/4D-SS	0.5625"	1/4-28 x 5/8	0.120
0.875"	1.500"	SC7/8D-ZP	SC7/8D-BO	SC7/8D-SS	0.5625"	1/4-28 x 5/8	0.176
0.9375"	1.500"	SC15/16D-ZP	SC15/16D-BO	SC15/16D-SS	0.5625"	1/4-28 x 5/8	0.160
1.0000"	1.500"	SC1D-ZP	SC1D-BO	SC1D-SS	0.6250"	1/4-28 x 5/8	0.220
1.1250"	1.750"	SC1 1/8D-ZP	SC1 1/8D-BO	SC1 1/8D-SS	0.6250"	1/4-28 x 3/4	0.240
1.1875"	2.000"	SC1 3/16D-ZP	SC1 3/16D-BO	SC1 3/16D-SS	0.6875"	1/4-28 x 5/8	0.380
1.2500"	2.000"	SC1 1/4D-ZP	SC1 1/4D-BO	SC1 1/4D-SS	0.6875"	1/4-28 x 5/8	0.352
1.3750"	2.125"	SC1 3/8D-ZP	SC1 3/8D-BO	SC1 3/8D-SS	0.7500"	1/4-28 x 5/8	0.420
1.4375"	2.250"	SC1 7/16D-ZP	SC1 7/16D-BO	SC1 7/16D-SS	0.7500"	1/4-28 x 5/8	0.480
1.5000"	2.250"	SC1 1/2D-ZP	SC1 1/2D-BO	SC1 1/2D-SS	0.7500"	1/4-28 x 5/8	0.450
1.6250"	2.500"	SC1 5/8D-ZP	SC1 5/8D-BO	SC1 5/8D-SS	0.8125"	5/16-24 x 7/8	0.630
1.6875"	2.500"	SC1 11/16D-ZP	SC1 11/16D-BO	SC1 11/16D-SS	0.8125"	5/16-24 x 7/8	0.590
1.7500"	2.625"	SC1 3/4D-ZP	SC1 3/4D-BO	SC1 3/4D-SS	0.8750"	5/16-24 x 7/8	0.710

Dimension	Tolerance
Bore, Inch	+ .003/- .000

US Corporate Headquarters:
2100 Pacific Street
Hauppauge NY, 11788
www.tritanpt.com



Exclusively Manufactured by:



888-4-Bearings

Two-Piece Clamp Style Shaft Collar

Bore Diameter (d)	Outside Diameter (D)	Zinc Plated Steel	Black Oxide Steel	Stainless Steel	Width (B)	Clamp Screw	Weight Lbs
1.8750"	2.750"	SC1 7/8D-ZP	SC1 7/8D-BO	SC1 7/8D-SS	0.8750"	5/16-24 x 7/8	0.760
1.9375"	3.000"	SC1 15/16D-ZP	SC1 15/16D-BO	SC1 15/16D-SS	0.8750"	5/16-24 x 7/8	0.980
2.0000"	3.000"	SC2D-ZP	SC2D-BO	SC2D-SS	0.8750"	5/16-24 x 7/8	0.930
2.1250"	3.000"	SC2 1/8D-ZP	SC2 1/8D-BO	SC2 1/8D-SS	0.8750"	5/16-24 x 7/8	0.930
2.1875"	3.250"	SC2 3/16D-ZP	SC2 3/16D-BO	SC2 3/16D-SS	0.9375"	5/16-24 x 7/8	0.930
2.2500"	3.250"	SC2 1/4D-ZP	SC2 1/4D-BO	SC2 1/4D-SS	0.9375"	5/16-24 x 7/8	1.040
2.3125"	3.250"	SC2 5/16D-ZP	SC2 5/16D-BO	SC2 5/16D-SS	0.9375"	5/16-24 x 7/8	1.050
2.3750"	3.250"	SC2 3/8D-ZP	SC2 3/8D-BO	SC2 3/8D-SS	0.9375"	5/16-24 x 7/8	1.040
2.4375"	3.500"	SC2 7/16D-ZP	SC2 7/16D-BO	SC2 7/16D-SS	1.0000"	5/16-24 x 7/8	1.050
2.5000"	3.500"	SC2 1/2D-ZP	SC2 1/2D-BO	SC2 1/2D-SS	1.0000"	3/8-24 x 7/8	1.580
2.5625"	3.750"	SC2 9/16D-ZP	SC2 9/16D-BO	SC2 9/16D-SS	1.0000"	3/8-24 x 7/8	1.620
2.6875"	4.000"	SC2 11/16D-ZP	SC2 11/16D-BO	SC2 11/16D-SS	1.1250"	3/8-24 x 7/8	1.850
2.7500"	4.000"	SC2 3/4D-ZP	SC2 3/4D-BO	SC2 3/4D-SS	1.1250"	3/8-24 x 7/8	2.020
2.8750"	4.000"	SC2 7/8D-ZP	SC2 7/8D-BO	SC2 7/8D-SS	1.1250"	3/8-24 x 7/8	2.320
2.9375"	4.000"	SC2 15/16D-ZP	SC2 15/16D-BO	SC2 15/16D-SS	1.1250"	3/8-24 x 7/8	2.240
3.0000"	4.000"	SC3D-ZP	SC3D-BO	SC3D-SS	1.1250"	3/8-24 x 7/8	2.160
3.1875"	4.25"	SC3 3/16D-ZP	SC3 3/16D-BO	SC3 3/16D-SS	1.1250"	3/8-24 x 7/8	1.940
3.4375"	4.500"	SC3 7/16D-ZP	SC3 7/16D-BO	SC3 7/16D-SS	1.1250"	3/8-24 x 7/8	2.060
3.5000"	4.750"	SC3 1/2D-ZP	SC3 1/2D-BO	SC3 1/2D-SS	1.1250"	3/8-24 x 7/8	2.540
3.9375"	5.000"	SC3 15/16D-ZP	SC3 15/16D-BO	SC3 15/16D-SS	1.1250"	3/8-24 x 7/8	2.350

Dimension	Tolerance
Bore, Inch	+ .003/- .000

US Corporate Headquarters:
 2100 Pacific Street
 Hauppauge NY, 11788
www.tritanpt.com



Exclusively Manufactured by:



888-4-Bearings