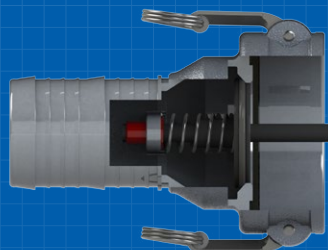
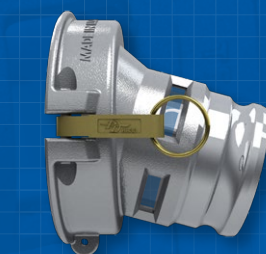
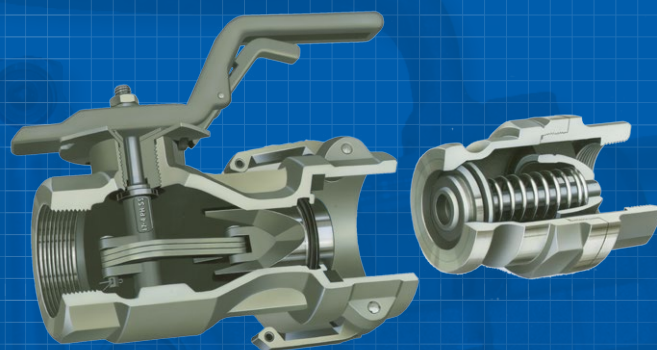
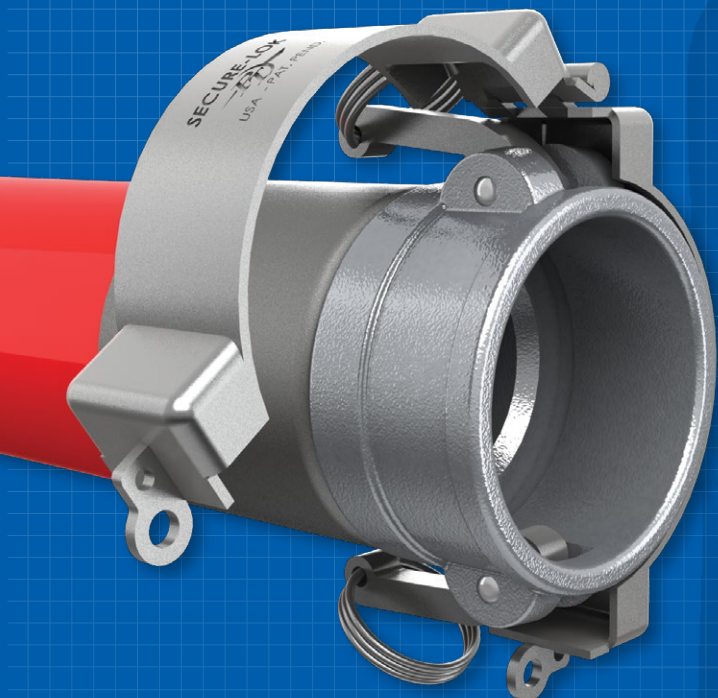




Made in the U.S.A.



PT Petroleum Products



PT Coupling

Distributed By:

CAST, MACHINED and ASSEMBLED in the USA / 1-800-654-0320 / WWW.PTCOUPLING.COM

UTF40

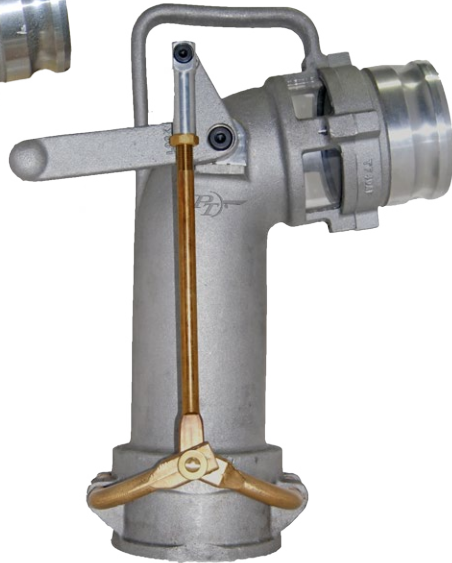
TIGHT FILL ELBOW

Made in the U.S.A.



UTF40S SHORT
TIGHT FILL ELBOW

Made in the U.S.A.



UTF40 ADVANTAGES

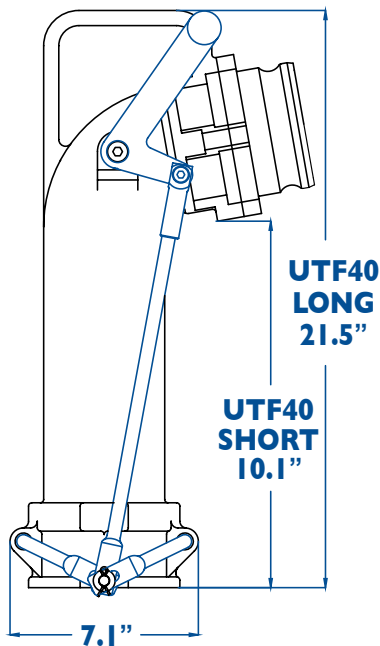
1. Handle does not require a locking feature (cams over center)
2. Adjustable linkage (linkage can be adjusted in the field, for older worn adapters)
3. Brass Cams are solid (no rollers)
4. Available in two heights (21.5" or 18.0")
5. Anti-Spill Tube available for UTF40 short (required in some Canadian Provinces)
6. Five Optional Parts TF30x40AF, TF40CF, TF30x40CF, TF40TF, TF30x40TF
7. Also available with Side Seal End (fabrication)
8. All PT elbows have interchangeable Cam Arm Assembly Kits
9. Half the moving/replacement parts, lightest weight in the industry.
10. Weight:
UTF40 (long) 13.50 lb
UTF40 (short) 11.50 lb

Made in the U.S.A.

UTF40

DIMENSIONS

Made in the U.S.A.



OPTIONAL PARTS



TF30x40AF
3" adapter x 4" flange



TF30x40CF
3" coupler x 4" flange



TF30x40TF
3" female NPT thread x 4" flange



TF40CF
4" coupler x 4" flange



TF40TF
4" female NPT thread
x 4" flange



Anti-Spill Tube



UVR300
VAPOR ELBOW
Made in the U.S.A.



UVR300 SHORT
TIGHT FILL ELBOW
Made in the U.S.A.

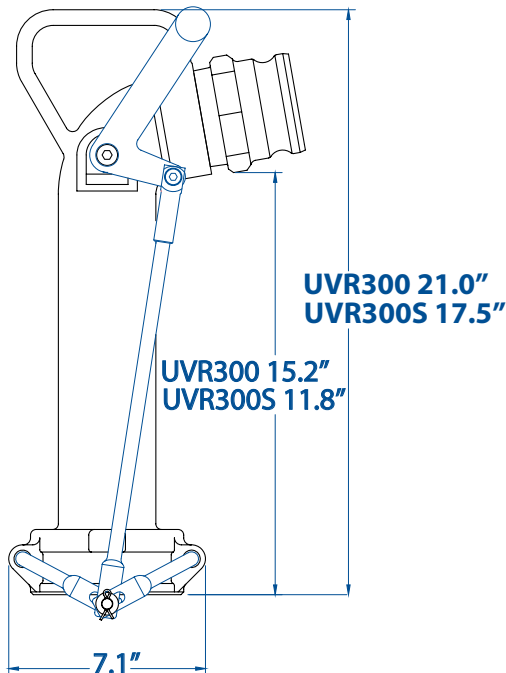


UVR300 ADVANTAGES

1. Handle does not require a locking feature (cams over center)
2. Adjustable linkage (linkage can be adjusted in the field, for older worn adapters)
3. Brass Cams are solid (no rollers)
4. Available in two heights (21.5" or 17.5")
5. 30F included (female threads are straight w/ gasket.)
6. Half the moving/replacement parts, lightest weight in the industry.
7. UVR300 11.5 lb
UVR300 short 11.0 lb

Optional parts may be substituted or added. Contact your PT Warehouse for price and availability.

UVR300
DIMENSIONS
Made in the U.S.A.



OPTIONAL PARTS



30 F Aluminum



40x30F Adapter



30B Aluminum



VR400A

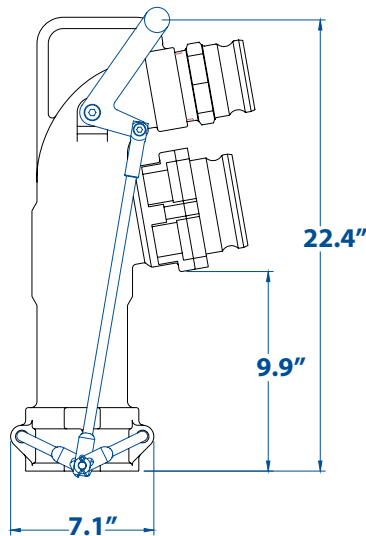
COAXIAL DELIVERY
ELBOW-VAPOR ON TOP
PRODUCT ON BOTTOM
Made in the U.S.A.



30F Alum Adapter Included.

VR400A

DIMENSIONS
Made in the U.S.A.



**VR400A & UVR400
ADVANTAGES**

1. Handle does not require a locking feature (cams over center).
2. Adjustable linkage, (linkage can be adjusted in the field, for older worn adapters).
3. Brass Cams are solid (no rollers).
4. Five Optional Parts (TF30x40AF, TF40CF, TF30x40CF, TF40TF, TF30x40TF)
5. All PT elbows have interchangeable Cam Arm Assembly Kits
6. Half the moving/replacement parts, lightest weight in the industry.
7. Weight:
VR400A 17.7 lb
UVR400 16.8 lb

UVR400

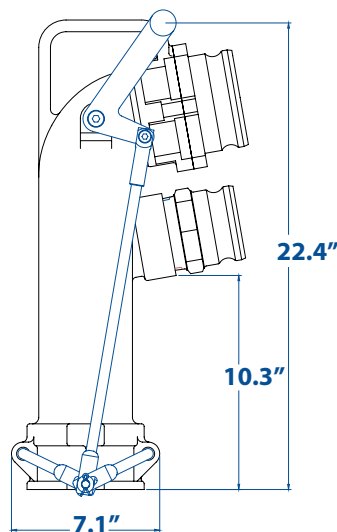
COAXIAL DELIVERY
ELBOW-PRODUCT ON TOP
VAPOR ON BOTTOM
Made in the U.S.A.



30F Alum Adapter included.

UVR400

DIMENSIONS
Made in the U.S.A.



OPTIONAL PARTS



TF30x40AF
3" adapter x 4" flange



TF30x40CF
3" coupler x 4" flange



TF40CF
4" coupler x 4" flange



TF40TF
4" female NPT thread x 4" flange



TF30x40TF
3" female NPT thread x 4" flange



CSP ADVANTAGES

1. Solid brass rod
2. Available with STA-LOK® II or paddle handles (PX or SLPX) in Brass or Stainless Steel.
3. Interlocking ring for ferrule design.

CSP X CSP
COUPLER WITH
PUSHROD X COUPLER
WITH PUSHROD
Made in the U.S.A.



CSP X COUPLER
REDUCER
COUPLER WITH
PUSHROD X COUPLER
Made in the U.S.A.



40X30CSPVR
4" VAPOR RECOVERY
POPPETED COUPLER X 3"
HOSE SHANK
Standard hose shank
design allows hose attach-
ment via PUNCH-LOK®
center punch clamps or
by interlocked ProGrip™
C-50 ferrule or sleeve.



VR40AF
4" VAPOR RECOVERY
POPPETED ADAPTER X 4"
TANK TRUCK FLANGE
Equipped with sight glass for
easy detection of accidental
overfill. 3/4" NPT drain plug
for easy removal of overfilled
product. Drilled mounting
surface for air interlock
valve. Also available without
sight glass.
Made in the U.S.A.



CXASP
COUPLER WITH
PUSHROD X ADAPTER
Made in the U.S.A.



CSP
COUPLER WITH
PUSHROD X SHANK
Made in the U.S.A.



VR40A
VAPOR RECOVERY ADAPTER
4" Poppet Adapter
X 4" NPSH Straight Thread
Drilled mounting surface
for air interlock valve.
Made in the U.S.A.



Aluminum body with a plastic poppet. O-ring seal on the poppet prevents vapor from leaking into the atmosphere. Poppet design is rebuildable without removing the hose from the fitting or the fitting from the truck.

TOP SEAL ADAPTERS

TFLC
TANK ADAPTER
LOCKING CAP
Available in
Aluminum & Brass
Made in the U.S.A.



TFAS
TANK FILL ADAPTER
X 4" FEMALE NPSH
STRAIGHT THREAD
Available in Aluminum
& Brass
Size 4"
Made in the U.S.A.



TFSAS
TANK ADAPTER
4" NPSH Straight Thread
Available in Brass & Aluminum
Made in the U.S.A.



SSA
SIDE SEAL COUPLER
X TOP SEAL TANK
ADAPTER
Available in Aluminum
Size 4"
Overall length: 8.10"
width: 7.92"
Made in the U.S.A.





API GRAVITY VALVE

API ADAPTER X
4" TTMA FLANGE
Sight glass,
Non-openable Valve
Swivel Adapter
Made in the U.S.A.



API GRAVITY VALVE

API ADAPTER X
4" TTMA FLANGE
Sight glass, Openable Valve
Swivel Adapter
Made in the U.S.A.

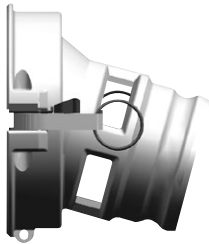


**API ADAPTER
ADVANTAGES**

1. Brass adapter area swivels to reduce wear in cam arm connections. Also available with aluminum ring
2. Flat bottom for full drainage
3. Visual site glass optional

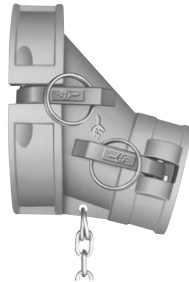
DA-SG

API COUPLER X
ADAPTER
Size 3" & 4"
Made in the U.S.A.



DC

API COUPLER X
COUPLER
Size 3" & 4"
Made in the U.S.A.



**DROP ADAPTER/
COUPLER ADVANTAGES**

1. Some of these items are available with a sight glass that allows the driver to see the fuel flow. These parts mount between the API valve and the drop hose.
2. These are one piece castings. Competitors have 2-3 separate components that can lead to problems with leaks and maintenance.
3. All PT drop adapters & couplers have 3/16 plated chain. Competition's chain is considerably lighter.
4. The STA-LOK® II cam arms will adapt to these fittings for an extra charge.
5. Also available with Paddle Handle (SLSPX & SLBPX) in Stainless Steel & Brass.

DA

API COUPLER X
ADAPTER
Size 3" & 4"
Made in the U.S.A.



DA-SG

API COUPLER X ADAPTER
WITH SLBPX
Size 3" & 4"
Made in the U.S.A.



GV4440

API DUST CAP
Made in the U.S.A.





SAFETY BUMP® & SAFETY LOCK™

An alternative choice to the traditional cam and groove caps and plugs, providing a comfortable handle for the driver's hand and a "bump" that extends beyond the hose fittings and ears, protecting them from damage.

Safety Bumps® are available in a hazardous/petroleum configuration (black poly) with an antistatic additive. A food grade certified composite (white), and a (blue) polypropylene for chemical/waste applications.

**Custom logo is available upon request. Please call for quote.*

Safety Lock™ . . . Eliminate Spills. Visually Confirm Ear Locking

Safety Lock™ patent pending, is an alternative product to the Hook & Loop Fastener Straps with an easy-to-install and easy-to-remove heavy duty "clip" that clicks into place over the ears.

ALUMINUM

Size 2", 3", 4"
Made in the U.S.A.



ANTI-STATIC POLY

Size 2", 3", 4"
Made in the U.S.A.



POLYPROPYLENE

Size 2", 3", 4"
Made in the U.S.A.



FOOD GRADE POLY

Size 2", 3", 4"
Made in the U.S.A.



SECURE-LOK™

A locking system that secures your couplings.

1. Prevents tampering of cam & groove couplings.
2. Made of 12 gauge 316 Stainless Steel for strength & corrosion resistance.
3. Prevents removal of coupler cam pins by concealing coupler cam pin area.
4. Can be used for lockout/tagout system.

Sizes 2", 3", 4"
Made in the U.S.A.



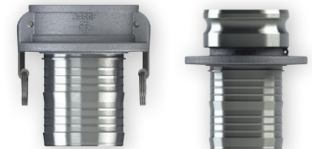
SAFETY LOCK™

Size 1", 2", 3", 4"
Made in the U.S.A.



SAFETY BUMP® - C's & E's

Aluminum 4"
Made in the U.S.A.



SAFETY BUMP® T-LOCK CAM ARMS

Size 2" & 3"-4"
Made in the U.S.A.



Polypropylene



300 Series Stainless Steel



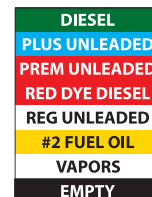
Food Grade Poly

COMMODITY TAG HOLDER

Made in the U.S.A.

The commodity tag holder allows you the ability to easily identify the type of product stored in your tanker compartments. It has an all aluminum body, non corrosive internal components and a positive locking barrel. The body comes pre-assembled, is made to drain and is available with pre-drilled mounting holes. It has a large driver friendly adjusting knob with eight sides. Custom design with powder coat and custom logo.

**PT Coupling offers Commodity Tag Decals. Call for more information.*





TTFA
ADAPTER X TANK
TRUCK FLANGE
Size 2"-6"
Made in the U.S.A.



TTFC
COUPLER X TANK
TRUCK FLANGE
Size 2", 2.5", 3", 3"x4",
4", 6", 8"
Made in the U.S.A.



TTFA-22.5°
ADAPTER X
TANK TRUCK
FLANGE 22.5°
Size 4"
Made in the U.S.A.



TTFC-22.5°
COUPLER X
TANK TRUCK
FLANGE 22.5°
Size 4"
Made in the U.S.A.



TTFT
TANK TRUCK
FLANGE TEE
Size 3", 4", & 6"
Made in the U.S.A.



TTY
TANK TRUCK
FLANGE Y
Size 4" & 6"
Made in the U.S.A.



TTFNPTM
TTMA FLANGE X
MALE NPT
Size 3", 4" & 6"
Made in the U.S.A.



TTFNPTF
TTMA FLANGE X
FEMALE NPT
Size 3" & 4"
Made in the U.S.A.



TTFWF
TTMA FLANGE X
SOCKET WELD
Size 4"
Made in the U.S.A.



TTFVG
TTMA FLANGE X
SINGLE GROOVE
Size 3", 4" & 6"
Made in the U.S.A.



TTFWB
TTMA FLANGE X BUTT
WELD FOR SCH 40 PIPE
Size 3", 4" & 6"
Made in the U.S.A.



***TTFSG**
ACRYLIC SIGHT GLASS
Size 3" & 4"
Made in the U.S.A.



***TTFSGE**
ACRYLIC ROWN EDGE
BIO-FUEL SIGHT GLASS
Size 3" & 4"
Compatible with E10, E85 and 100% Ethanol; 13B,
B100 Biodiesel; and ultra low sulfur diesel. (ULSD)
175° Maximum Temperature
Made in the U.S.A.



***TTFWSG**
SIGHT GLASS SHORT
TTMA FLANGE
Size 4"
Made in the U.S.A.



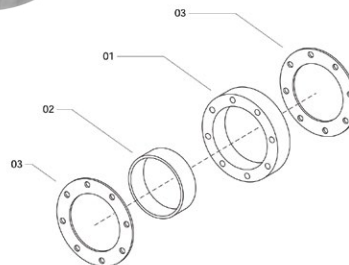
***TTFWS**
SIGHT GLASS LONG
TTMA FLANGE
Size 4"
Made in the U.S.A.



*Clear Acrylic

BSGV
BIO-FUEL SIGHT GLASS
ACRYLIC SIGHT GLASS
WITH INTERNAL EMBEDDED
GLASS TUBE.
Available with Buna N or Viton® gaskets.
Bottom Loading System
Round Flange Installed.
Made in Brazil

All registered trademarks are property
of their respective owners.

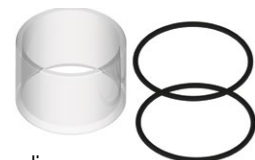


Ref #	Compenent	Quantity
1	acrylic sight glass	1
2	glass tube	1
3	gasket	2

TTF40WSG
REPLACEMENT PARTS
Made in the U.S.A.



TTF40WS-1
REPLACEMENT PARTS
Made in the U.S.A.



AUTOMATIC DIESEL



Made in the U.S.A

FUELMASTER™ DIESEL NOZZLES

The fuelmaster provides the higher flow capacity required for efficient refueling at many truck stops and terminal operations

Spout Size	Part Name	NPT Inlet	Flow Rate	Weight (LBS)	Item #
1 3/16"	FuelMaster™ Diesel Nozzle	1"	35	3.5	780042

Features:

- Provides the high flow capacity required by many truck stops and terminal operations
- Micro-touch valve provides smooth operation and exceptional flow control
- Super tough nylon hand guard and hold-open clip
- Easy to change 'locknut style' spout assembly
- Automatic shutoff
- Green scuff guard
- Pure Teflon® stem packing eliminates leaks

Safety Notes:

- These nozzles are not for use with gravity flow tanks
- Not designed for use with small 12 volt pumps, AC utility pumps, farm pumps or consumer pumps



MCD Nozzle

Made in the U.S.A

MCD/MCD"S"

High-Flow automatic diesel nozzle. Ideal for truck stops and fleet fueling. Offers "one-hand" hold open clip with patented safety Kicker.

the "kicker" is designed to assure the hold-open clip will always release when automatic shut-off occurs.

Spout Size	Part Name	NPT Inlet	Flow Rate	Weight (LBS)	Item #
1 3/16"	MCD Diesel Nozzle	1"	45	3.6	780043
1-3/16"	MCDS Prepay Diesel Nozzle	1"	45	3.6	780056

Features:

- Provides the high flow capacity required by many truck stops and terminal operations
- Dual poppets for easy high pressure operation
- Pure Teflon® stem packing eliminates leaks
- MCD"S" is pressure activated.
- Automatic shutoff
- Green scuff guard

Safety Notes:

- These nozzles are not for use with gravity flow tanks
- Not designed for use with small 12 volt pumps, AC utility pumps, farm pumps or consumer pumps



MCD"S" Nozzle

Made in the U.S.A



Made in the U.S.A

BIG MOUTH™

The lightweight Big Mouth automatic diesel nozzle provides efficient refueling and durability at an economical price. Classic rear hold-open clip.

Spout Size	Part Name	NPT Inlet	Flow Rate	Weight (LBS)	Item #
1 1/8"	Big Mouth™ Diesel Nozzle	1"	25	3	780044

Features:

- Micro-touch valve allows precise flow control
- Roto-matic latch pin provides positive auto shut-off
- Pure Teflon® stem packing eliminates leaks
- Super tough nylon hold-open clip and hand guard bend, but won't break
- Snap-on handle cover makes changing scuff guards easy
- Yellow scuff guard
- Automatic shutoff

Safety notes:

- These nozzles are not for use with gravity flow tanks
- Not designed for use with small 12 volt pumps, AC utility pumps, farm pumps or consumer pumps

All registered Trademarks are the property of their respective owners.



FARM AND CONSUMER

The F&C automatic nozzle is designed for use with small 12 volt and AC utility pumps, as well as larger Farm & Consumer pumps. The hook is the toughest available - will always maintain its shape.

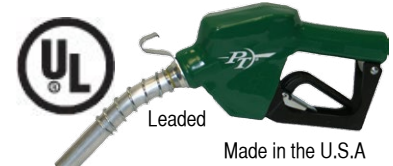
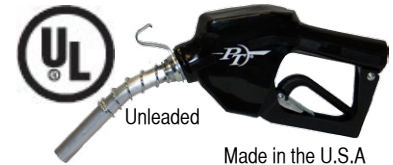
Spout Size	Part Name	NPT Inlet	Flow Rate	Weight (LBS)	Item #
13/16"	Farm and Consumer Nozzle-Unleaded	3/4"	14	2.5	780045
15/16"	Farm and Consumer Nozzle-Leaded	3/4"	14	2.5	780046
1-1/8"	Farm and Consumer Nozzle-Diesel	1"	25	3	780057

Features:

- Heavy duty, strong and more secure hook makes it easy to hang the nozzle on the pump.
- Vinyl scuff guard
- Pure Teflon[®] stem packing eliminates leaks

Safety notes:

- These nozzles are not for use with gravity flow tanks



HIGH FLOW

FUELER 100™

A heavy Duty High-Flow automatic nozzle with 1-1/2" inlet. It is tough, reliable and easy

Spout Size	Part Name	NPT Inlet	Flow Rate	Weight (LBS)	Item #
1 3/8"	High Flow Fuel Nozzle/ Fueler 100™	1-1/2"	65	6.9	780047
1 3/8"	Rebuilt - High Flow Fuel Nozzle/ Fueler 100™	1-1/2"	65	6.9	780048

Features:

- High Strength aluminum body casting for greater durability
- Roto-matic latch pin for smoother auto shut off
- Pure Teflon[®] stem packing eliminates leaks
- Dual poppets for easy high pressure operation
- Grooved spout holds nozzle in the tank
- Nylon spout lock nut does not gall makes it easy to change the spout



DEF

This Hybrid Nozzle provides the performance and construction specifications required for DEF delivery without the burden of a heavy Stainless Steel Nozzle.

Spout Size	Part Name	BSPP Inlet	Flow Rate	Weight (LBS)	Item #
19mm	*DEF Nozzle w/ MFD Safety Spout	3/4" BSPP	14	2.5	780058
19mm	DEF Nozzle -Stainless Steel Spout	3/4" BSPP	14	2.5	780059
N/A	DEF Misfuelling Device	N/A	N/A	N/A	780060

Features:

- Aluminum Nozzle casting is internally and externally coated with a DuPont™ product that is impervious to DEF
- Internal components are made of Stainless Steel or Delrin[®] plastic
- Pure Teflon[®] stem packing eliminates leaks

Safety notes:

- Meets all required specifications set by ISO 2241 for DEF delivery



*DEF Misfuelling Device required for DEF Nozzle w/MFD Safety Spout

DUAL PLANE SWIVELS

To provide the best surfaces for O-ring seal rotation we have inserted a precisely machined sleeve into the aluminum castings. The sleeve is made from solid brass bar stock letting the swivel turn easily and will not leak.

Male NPT Size	Part Name	NPT Inlet	Item #
3/4"	Dual Plane Swivel 3/4" x 3/4"	3/4" NPT	780061
1"	Dual Plane Swivel 1"x 3/4"	3/4" NPT	780062

Features:

- Brass male end will not gall in nozzle castings
- Dual Viton[®] O-rings seal with all fuels
- Machined Brass sleeve gives smooth seal surface - NO LEAKS





WEDGON

BREAKAWAY FITTINGS
Available in 3/4", 1", 1 1/4",
1 1/2", 2", & 3".
3/4" & 1" with spacer hose
Made in the U.S.A.



STDS

T-STRAINER 150 PSI MAX
WORKING PRESSURE
Available in Aluminum &
Hard Coat Aluminum
Made in the U.S.A.



**REPLACEMENT
T-STRAINER SCREEN**

STAINLESS STEEL SCREEN
Mesh sizes: 12, 20, 40, 60, & 80
Made in the U.S.A.



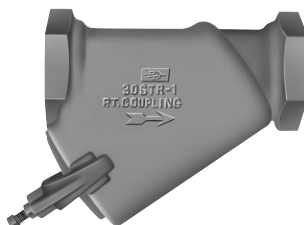
Y-STRAINER BASKET

*Stainless Steel in 14, 20, 40, 60,
80 & 100 mesh*



STR-Y

STRAINER 125 PSI MAX
WORKING PRESSURE
Available in Aluminum, Stainless Steel,
Ductile Iron, and Polypropylene.
Made in the U.S.A.



PUMP INLINE FILTER

1/4" hole available in 1 1/2" - 4" size.
1/2" size hole available in 4". Call
for quote on other sizes. Available
in Aluminum & Stainless Steel.

Threads into bottom of female
NPT threads.
Made in the U.S.A.



PROGRIP™ SLEEVES & FERRULES

ALUMINUM NON-SPARKING
Sizes: 1 1/2" to 6"
Made in the U.S.A.



*Anodized / Available for custom logo



MOUNT PLUG

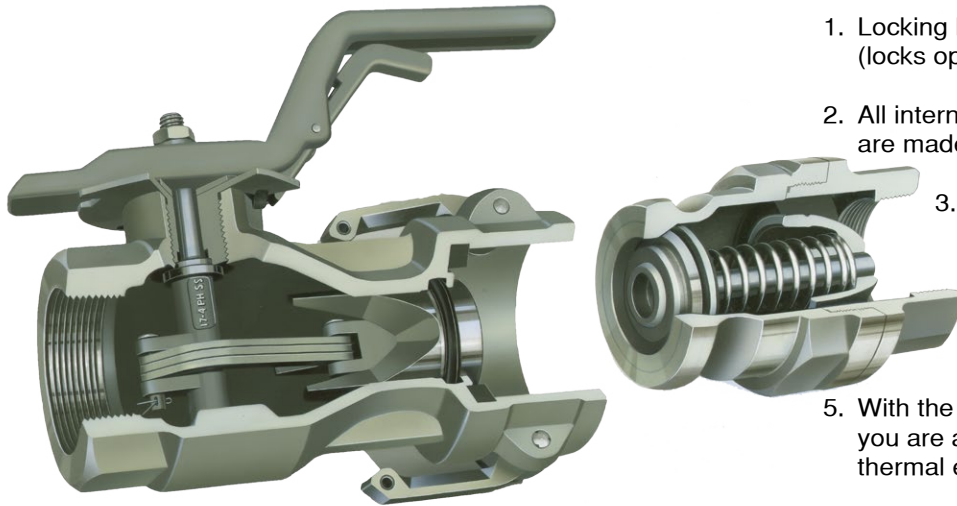
ADAPTER X FLANGE
Sizes: 2", 3" & 4"
Weldable, pre-drilled holes, Aluminum
Made in the U.S.A.





MAXI-DRY COUPLER AND ADAPTER

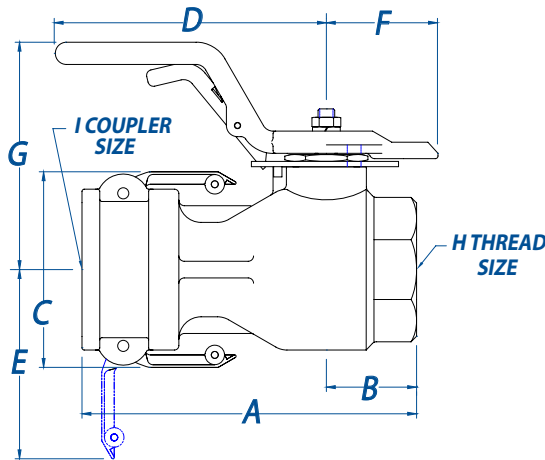
Made in the U.S.A.



MAXI-DRY ADVANTAGES

1. Locking handle. (locks open or closed)
2. All internal components are made of Stainless Steel.
3. Maxi-Dry will interchange with competitors assemblies.
4. Maxi-Dry pressure rating is normally higher than most of our competitors
5. With the coupler side of the Maxi-Dry you are able to drain material, in case of a thermal expansion situation.
6. On the coupler side of the Maxi-Dry, the handle is extended over the cam, to make sure that the coupler and adapter cannot be separated when the flow is opened.
7. STA-LOK® II cams will work if customer wants self-locking cams.
8. Locking plate accepts standard pad lock.

MAXI-DRY COUPLER



Materials available are: Aluminum, Stainless Steel

Gasket Materials: Buna, Viton®, EPDM, Teflon®, Chemraz®, Kalrez®

COUPLER

Size	Coupler	Pressure Rating	A	B	C	D	E	F	G	H	I
1 1/2"	MD15D	200 PSI	6.9	1.5	3.9	6.1	4.1	2.5	5.0	1 1/2" NPT	2.0
2"	MD20D	150 PSI	7.5	2.0	4.4	6.1	4.3	2.5	5.1	2" NPT	2.5
3"	MD30D	125 PSI	9.5	2.5	6.5	9.0	5.5	4.0	6.0	3" NPT	4.0
4"	MD40D	125 PSI	9.5	2.5	6.5	9.0	5.5	4.0	6.2	4" NPT	4.0

All registered trademarks are property of their respective owners.

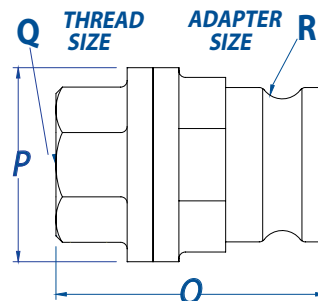
ADAPTER

Adapter	O	P	Q	R
MD15A	4.3	3.2	1 1/2" NPT	2
MD20A	5.2	3.7	2" NPT	2.5
MD30A	6.8	5.6	3" NPT	4
MD40A	6.8	5.6	4" NPT	4

Dimensions are in inches

MAXI-DRY ADAPTER

Made in the U.S.A.





**MDA MAXI-DRY
ADAPTER**

ADAPTER X FEMALE NPT
THREAD

Size 1-1/2", 2", 3", 4"

Made in the U.S.A.



MDPFA MAXI-DRY

PIPE FLANGE X ADAPTER

Size 2", 3" & 4"

Made in the U.S.A.

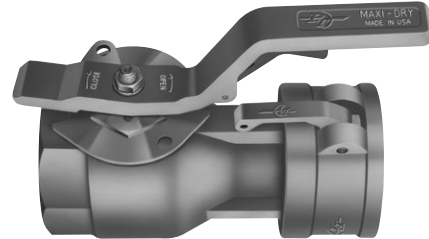


**MDD MAXI-DRY
COUPLER**

COUPLER X FEMALE
NPT THREAD

Size 1-1/2", 2", 3", 4"

Made in the U.S.A.



Pipe Flange bolt pattern conforms
to ANSI B16.5 Class 150

**MDD90 - MAXI-DRY
COUPLER 90**

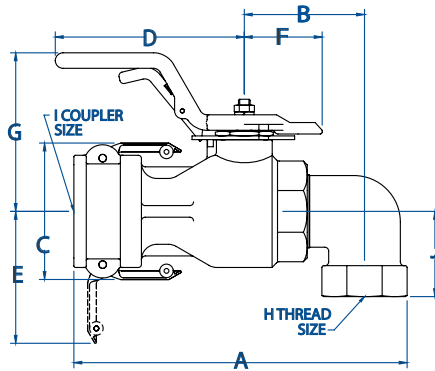
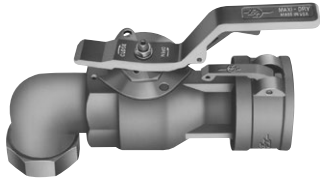
DEGREE SWIVEL

COUPLER X FEMALE NPT
THREAD 90 DEGREE

ELBOW SWIVEL

Size 2" & 3"

Made in the U.S.A.



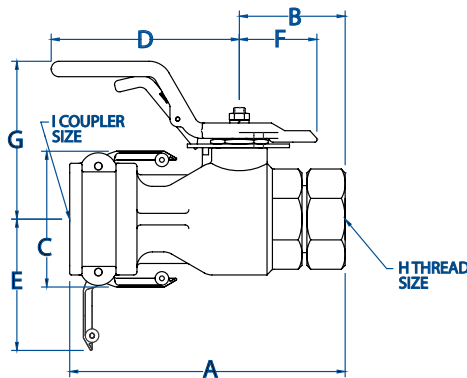
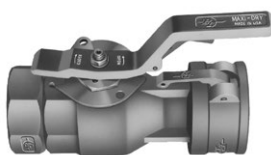
Size	2"	3"
Coupler	MD20D 90°	MD30D 90°
Press. Rating	150 PSI	125 PSI
A	10.9	14.05
B	4	5
C	4.4	6.85
D	6.1	9
E	4.3	5.5
F	2.5	4
G	5.1	6.2
H	1" NPT	3" NPT
I	2.5	4
J	2.8	4.4

**MDDSSW - MAXI-DRY
STRAIGHT SWIVEL**

COUPLER X FEMALE NPT
THREAD SWIVEL

Size 2" & 3"

Made in the U.S.A.



Size	2"
Coupler	MD20D 90°
Press. Rating	150 PSI
A	9
B	3.5
C	4.4
D	6.1
E	4.3
F	2.5
G	5.1
H	2" NPT
I	2.5



Made in the U.S.A.



PT BRANCH WAREHOUSES

CHICAGO

Richard F. Payne, Inc.
460 Podlin Drive
Franklin Park, IL 60131

Joe & Dan Payne
Phone: 630-595-0350
Toll: 800-662-5571
Fax: 630-595-3685
Toll Free: 888-595-3685
E-Mail: sales@rfpayne.com

SACRAMENTO

Industrial Solutions, Inc.
150 Gum Lane
Auburn, CA 95603

SALT LAKE CITY

Industrial Solutions, Inc.
2507 South 300 West
Salt Lake City, UT 84115

Gary Rooker & Tom Baker

Phone: 530-745-9600
Toll Free: 888-320-4151
Fax: 530-745-9607
E-Mail:
sales@industrialsolutionsinc.net

SAN DIEGO

Sunwest Industrial, LLC
13350 Gregg Street, Suite 102
Poway, CA 92064

Dave Palmer

Phone: 858-997-2404
Toll Free: 888-833-5401
Fax: 888-833-5402
E-Mail: info@sunwestindustrial.com
dpalmer@sunwestindustrial.com

ALLENTOWN

Honohan Sales
2125 28th Street SW
Allentown PA 18103

Dan & Rob Honohan
Phone 610-797-8100
Toll Free: 800-333-1090
Fax: 610-797-9028
Email: sales@honohansales.com

ATLANTA

Flexible Industrial Solutions
5250 Fulton Industrial Blvd. SW
Atlanta, GA 30336

Tom Martin & TJ Wootton
Phone: 404-696-3998
Toll Free: 877-624-2770
Toll Free Fax: 877-624-2766
E-Mail: se.sales@ptcoupling.com

Ed Robbe

Kentucky & West Virginia
Cell: 513-616-4676

DALLAS-FT. WORTH

Jimco Sales, Inc.
3317 Bryan Ave.
Fort Worth, TX 76110

Jim Hendricks
E-Mail: jph@jimcosales.net
Pam Hagood
E-Mail: sales-pt@jimcosales.net
Phone: 817-924-0850
Toll Free: 800-889-4626
Fax: 817-924-4612

Daryl Bates
Mobile: 214-394-8734
E-Mail: daryl Bates@jimcosales.net

Randy Bates
Mobile: 817-874-9202
E-Mail: randybates@jimcosales.net

DENVER

Mountain States Warehouse
5055 E. 41st Ave.
Denver, CO 80216

Toll Free: 800-654-0320
Fax: 800-828-2649
E-Mail: donb@burchsales.com

KANSAS CITY

Burchline Sales
1107 West Edwards
Maryville, MO 64468

Don Burch
Cell: 816-916-5744
E-Mail: donb@burchsales.com
Toll Free: 800-654-0320

SEATTLE

Wilson/Rogers & Assoc., Inc.
2006 196th St. SW #119
Lynnwood, WA 98036

Scott Wilson & Ron Weeks, Jr.
Phone: 425-248-4940
Toll Free: 888-851-7275
TF Fax: 888-851-7273
Fax: 425-248-4944
E-Mail: sales@wilsonrogers.com

HOUSTON

WRC Marketing
5611 Clinton Drive
Houston, TX 77020

Ray Cooper
Phone: 713-670-9595
Toll Free: 888-246-9256
Fax: 713-670-9945
E-Mail: wrcware@sbcglobal.net

CANADA

EDMONTON

J & B Industrial Inc.
15703-114th Ave.
Edmonton, AB Canada T5M-2Z3

TORONTO

J & B Industrial Inc
3375 North Service Road,
Unit B1 Burlington, ON
Canada L7N3G2

John McCullough &
Bruce McIntosh
Phone: 888-315-7750
Mobile: 905-978-7750
Fax: 905-315-7785
E-Mail: sales@jbrubber.ca

BRITISH COLUMBIA

Industrial Solutions, Inc.
Rich Morgan & Gary Rooker
Phone: 360-920-9358
Toll Free: 888-320-4151
E-Mail:
rmorgan@industrialsolutionsinc.net

INTERNATIONAL

International Sales Manager
Carlos E. Bermudez
Cell: 580-478-6639
E-Mail: carlosb@ptcoupling.com
international@ptcoupling.com

Inside Sales
Chuck Mowery
1414 East Willow
Enid, OK 73701
Phone: 580-540-3406
Toll Free: 800-654-0320
Fax: 800-828-2649
E-mail: sales10@ptcoupling.com

Robert Marr & Son, Inc.
32-22, 74th Street 2nd Floor
East Elmhurst
New York, NY 11370

Yin Yin
Phone: 718-565-7800
Fax: 718-565-7802
E-Mail: marrintl@aol.com

www.ptcoupling.com



Follow us on Twitter: [ptcouplingusa](https://twitter.com/ptcouplingusa)



Like us on Facebook: [ptcoupling](https://www.facebook.com/ptcoupling)

