



BELTSERVICE
CORPORATION

beltservice.com



Product Overview





Conveying Technologies

Beltservice Corporation is a rapidly growing plastic modular belt supplier with an ability to bring solutions to your toughest applications and problems.

Our products are produced to exacting specifications that will give confidence to our distributor and OEM partners. We bring high quality, flexible capabilities, along with pre-sale and after-sales service.

We are constantly proving our expertise in the food, corrugated, packaging and material handling industries. We have FDA and EU approvals that are globally recognized as quality standards for safe and hygienic transport of food products.



Flexibility for Various Applications

Modular Belts are more durable, flexible and efficient than traditional conveyor belts because of their material and ability to track and hold up in a wide variety of applications.

Modutech Modular Belts are constructed of plastic modules. They are secured with full length hinge pins and are driven by sprockets. This allows the customization of each belt with a variety of materials, colors, flights, side guards and accessories. In addition, we have the advantage of performing in difficult environments with low maintenance and easy installation.

Some of the Industries/Applications we can be found in:

- Fruit and vegetable
- Meat, poultry and seafood
- Bakery and pasta
- Beverage and container
- Corrugated manufacturing

Our Modular Belts Ensure Quality



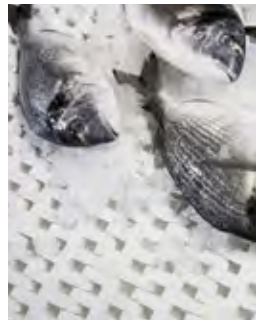
We rely and are set up for standardization of producing plastic modular belts from design to molding to assembly. We use high quality materials and engineer the product so that it will hold up in a variety of applications and environments. The belts and materials comply with FDA and EU regulations, ensuring we provide high performing conveyor belts.

High Quality Materials

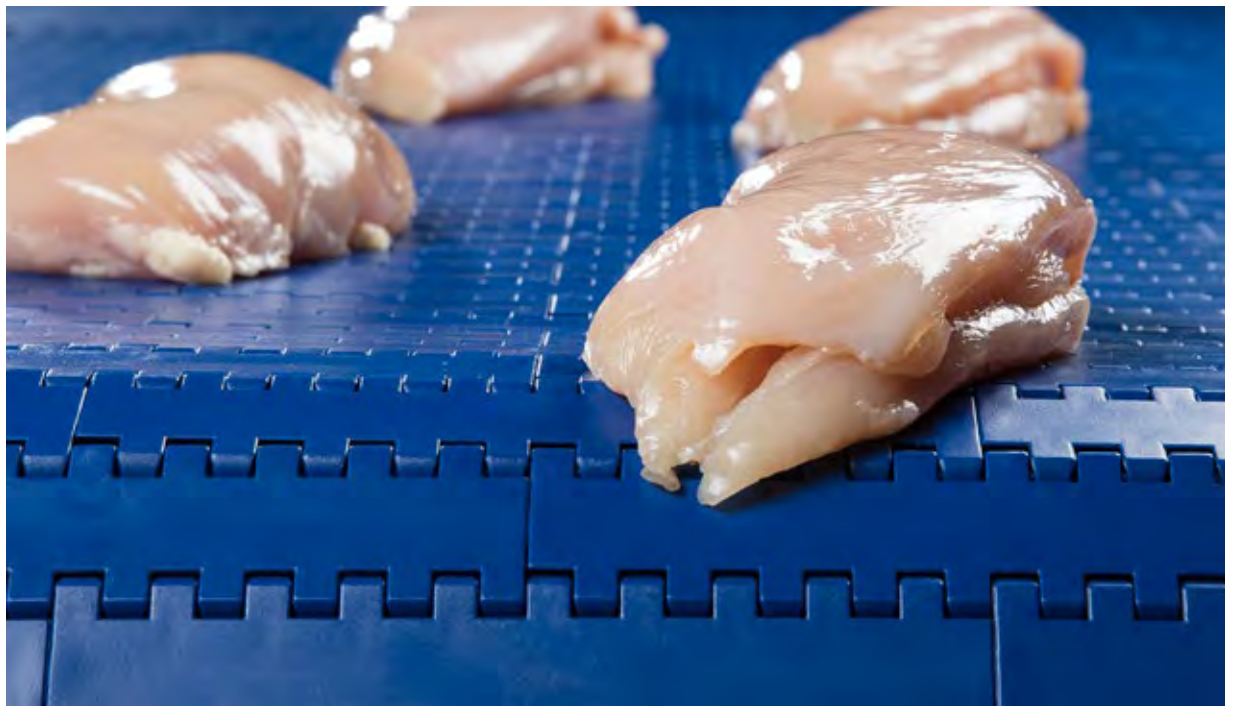
The best materials ensure superior product quality and durability. We offer standard materials like PP, PE, POM (acetal) and specials like metal detectable, antistatic, flame retardant, high temperature, reinforced and low friction.

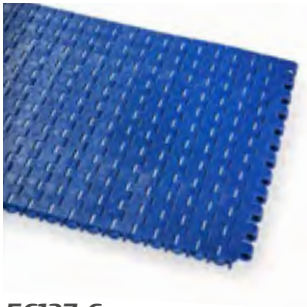


Various Industries Need Special Solutions



Different working environments require different solutions. We offer a variety of designs, materials and accessories for specific industries and applications. Hygiene is key for the food industry and we are constantly striving for new and improved methods to offer clean solutions. In addition to hygienic solutions, we are continually looking to provide belts that can be cleaned efficiently and thoroughly.





EC127 C



EC127 FG



EC127 GT



XP254 CR

Corrugated & Logistic Belt Series



XP254 FLT CR

Corrugated & Logistic Belt Series



XP254 C



XP254 PR%22



XP254 FG



EC254 C



EC254 PR%16



EC254 NT



MD254 FG



MD254 C



MD254 RR



MD254 GAP%48



MD508 C



MD508 PR%25



MD508 FG



EC508 C



EC508 NT



EC508 DT



EC508 FG



EC508 FG-NT



EC508 PR%22



EC508 PR%11



EC508 PR%13



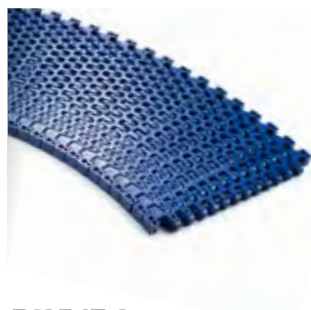
HP508 RR



HP508 FG
Battery Belt



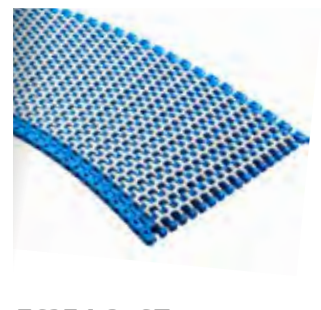
HP508 C



EC254T R
Tight Radius Belt 1,4



EC254 R
Radius Belt 2,1



EC254 R-GT
Radius Belt 2,1 with friction surface

Our Product Range

EC127 C

Pitch:	12.7 mm / 0.5 inch
Belt Surface:	Close, Smooth Surface
Minimum Width:	50 mm / 1.96 inch
Open Area (%):	0%
Flight:	Yes (T25, T50)
Sidewall:	No
Rod:	Ø4.7 mm / 0.185 inch - Self Lock
Approved:	FDA and EU
Curve:	No
Color:	Additional colors available
Cleanability:	Good
Belt Thickness:	10 mm / 0.393 inch



Product Features and Functional Benefits

- Less vibration in high speed and nosebar applications.
- Wear resistance in high speed applications with tight transfer.
- Unique sprocket engagement reduces pulsation.
- Close transfer applications.
- Tight transfer and high speed conveyors.

Available Molded Module Sizes

- 150 mm / 5.90 inch module
- 100 mm / 3.93 inch module
- 50 mm / 1.96 inch module

EC127 C / Technical Information

BELT MATERIAL	BELT STRENGTH				TEMPERATURE		BELT WEIGHT
	Straight		Curve		°C / °F (min.)	°C/°F (max.)	Kg/m ² / lb/ft ²
	N/m	lb/ft	N/m	lb/ft			
Polypropylene	11770	806.50	-	-	+5 / +41	+90 / +194	4.65 / 0.95
Polyethylene	6420	439.91	-	-	-73 / -99.4	+66 / +150.8	4.90 / 1
Acetal	19260	1319.73	-	-	-43 / -45.4	+110 / +230	7.00 / 1.43

- Belt strength and temperature values are maximum on the table.

Available Styles



EC127 C



EC127 FG



EC127 GT

EC127 Series *Accessories and Technical Specifications*

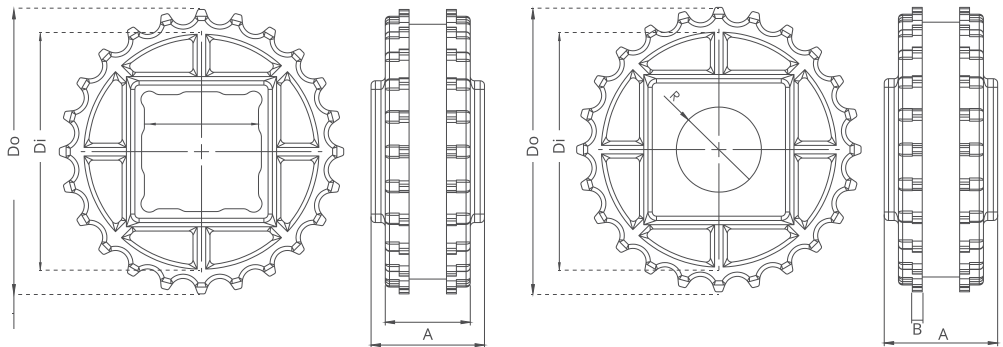


EC127 Series / Flight & Sidewall Dimensions

EC127 Series / Flights & Sidewalls				
PRODUCT CODE	Flight Height (mm/ <i>inch</i>)	Flight Width (mm/ <i>inch</i>)	PRODUCT CODE	Sidewall Height (mm/ <i>inch</i>)
EC127 T25	25 / 1	150 / 5.90	-	-
EC127 T50	50 / 2	150 / 5.90	-	-



Z24



EC127 Series / Standard Sprockets Dimensions

NO. TEETH	Di mm/ <i>inch</i>	Do mm/ <i>inch</i>	B mm/ <i>inch</i>	A mm/ <i>inch</i>	Square Bore (Q) mm/ <i>inch</i>	Round Bore (R) mm/ <i>inch</i>	PRODUCT CODE	
							Square Type (Q)	Round Type (R)
Z19	68.5 / 2.69	78 / 2.54	3.5 / 0.14	40 / 1.57	25-40 / 1-1.5	25-30 / 1-1.25	EC127SQZ19*PA	EC127SRZ19*PA
Z24	88.7 / 3.49	98.8 / 3.89	3.5 / 0.14	40 / 1.57	25-40 / 1-1.5	25-30 / 1-1.25	EC127SQZ24*PA	EC127SRZ24*PA
Z28	105.0 / 4.13	115.2 / 4.53	3.5 / 0.14	40 / 1.57	25-40 / 1-1.5	25-30 / 1-1.25	EC127SQZ28*PA	EC127SRZ28*PA
Z30	113.0 / 4.44	123.3 / 4.85	3.5 / 0.14	40 / 1.57	25-40 / 1-1.5	25-30 / 1-1.25	EC127SQZ30*PA	EC127SRZ30*PA
Z36	137.5 / 5.41	148.0 / 5.82	3.5 / 0.14	40 / 1.57	25-40 / 1-1.5	25-30 / 1-1.25	EC127SQZ36*PA	EC127SRZ36*PA

*Other sprockets and hub sizes are manufactured up to request.

*POM (Acetal) and PP (Polypropylene) sprockets raw material is available on request.

EC254 C (Easy Clean)

Pitch:	25.4 mm / 1 inch
Belt Surface:	Close, Smooth Surface
Minimum Width:	152.4 mm / 6 inch
Open Area (%):	0%
Flight:	Yes (T25, T50, T75, TC75, T100)
Sidewall:	Yes (h=25 mm / 1 inch, h=50 mm / 2 inch, h=75 mm / 3 inch)
Rod:	Ø5 mm / 0.196 inch - Self Lock
Approved:	FDA and EU
Curve:	No
Color:	Additional colors available
Cleanability:	Excellent
Belt Thickness:	10 mm / 0.393 inch



Product Features and Functional Benefits

- Easy to clean design reduces downtime during sanitation window.
- Unique sprocket engagement - higher product load and longer conveyors.
- Close transfer applications.

Available Molded Module Sizes

- 152.4 mm / 6 inch module
- 76.2 mm / 3 inch module
- 45 mm / 1.77 inch module
- 30 mm / 1.18 inch module

EC254 C / Technical Information

BELT MATERIAL	BELT STRENGTH				TEMPERATURE		BELT WEIGHT
	Straight		Curve		°C / °F (min.)	°C / °F (max.)	Kg/m ² / lb/ft ²
	N/m	lb/ft	N/m	lb/ft			
Polypropylene	10160	696.18	-	-	+5 / +41	+90 / +194	4.50 / 0.92
Polyethylene	8400	575.58	-	-	-73 / -99.4	+66 / +150.8	5 / 1.02
Acetal	25150	1723.32	-	-	-43 / -45.4	+110 / +230	6 / 1.23

- Belt strength and temperature values are maximum on the table.

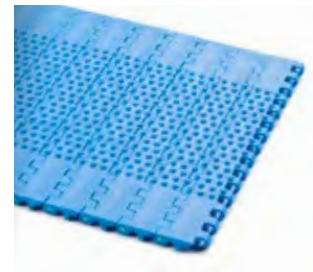
Available Styles



EC254 C

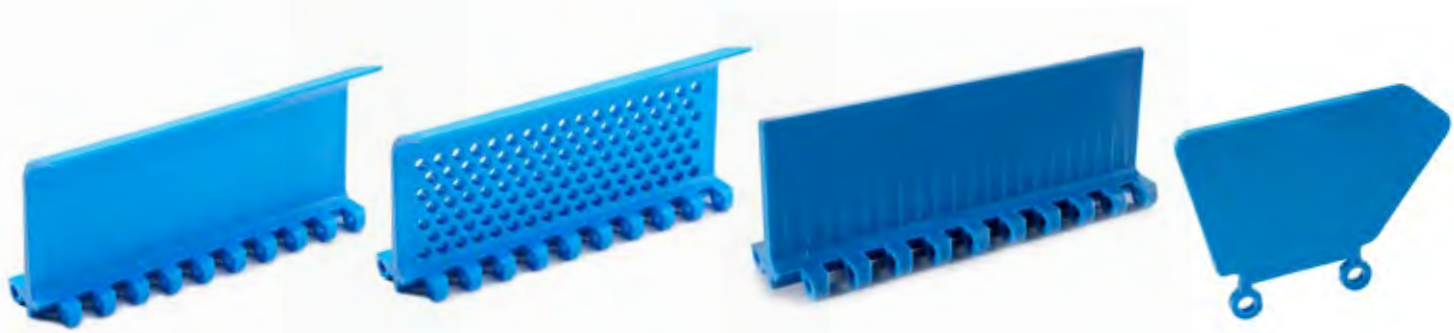


EC254 PR%16



EC254 NT

EC254 Series *Accessories and Technical Specifications*

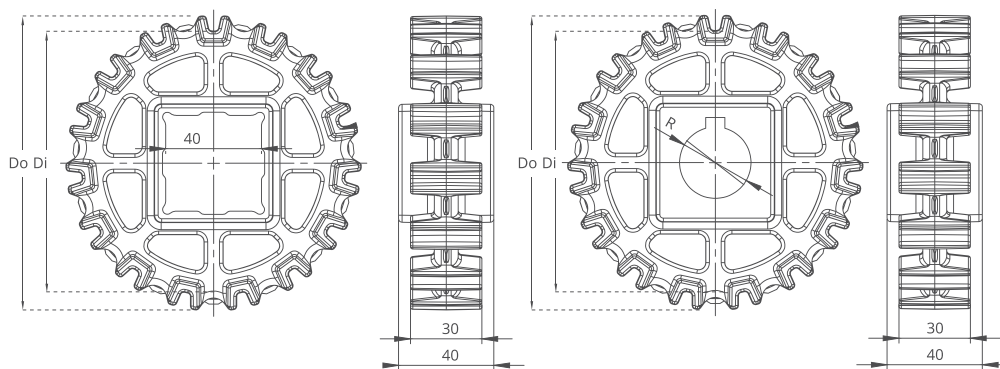


EC254 Series / Flight & Sidewall Dimensions

EC254 Series / Flights & Sidewalls				
PRODUCT CODE	Flight Height (mm/ <i>inch</i>)	Flight Width (mm/ <i>inch</i>)	PRODUCT CODE	Sidewall Height (mm/ <i>inch</i>)
EC254T25	25 / 1	152.4 / 6	EC254SW25	25 / 1
EC254T50	50 / 2	152.4 / 6	EC254SW50	50 / 2
EC254T75	75 / 3	152.4 / 6	EC254SW75	75 / 3
EC254T100	100 / 4	152.4 / 6	-	-
EC254TC50	50 / 2	152.4 / 6	-	-
EC254TC75	75 / 3	152.4 / 6	-	-
EC254TCH75	75 / 3	152.4 / 6	-	-



Z15



EC254 Series / Standard Sprockets Dimensions

NO. TEETH	Di mm/ <i>inch</i>	Do mm/ <i>inch</i>	B mm/ <i>inch</i>	A mm/ <i>inch</i>	Square Bore (Q) mm/ <i>inch</i>	Round Bore (R) mm/ <i>inch</i>	PRODUCT CODE	
							Square Type (Q)	Round Type (R)
Z8	51.6 / 2.03	64.6 / 2.54	30 / 1.18	40 / 1.57	25 / 1	25 / 1	EC254SQZ8*POM	EC254SRZ8*POM
Z10	68.8 / 2.71	81.8 / 3.22	30 / 1.18	40 / 1.57	40 / 1.5	25-30 / 1-1.25	EC254SQZ10*POM	EC254SRZ10*POM
Z12	85.5 / 3.37	98.8 / 3.89	30 / 1.18	40 / 1.57	40 / 1.5	25-30 / 1-1.25	EC254SQZ12*POM	EC254SRZ12*POM
Z15	111.1 / 4.37	124.1 / 4.89	30 / 1.18	40 / 1.57	40 / 1.5	25-30 / 1-1.25	EC254SQZ15*POM	EC254SRZ15*POM
Z18	136.1 / 5.36	149.1 / 5.87	30 / 1.18	40 / 1.57	40 / 1.5	25-30 / 1-1.25	EC254SQZ18*POM	EC254SRZ18*POM

*Other sprockets and hub sizes are manufactured up to request. *POM (Acetal) and PP (Polypropylene) sprockets raw material is available on request.

MD254 FG

Pitch:	25.4 mm / 1 inch
Belt Surface:	Open Smooth Surface
Minimum Width:	50 mm / 1.96 inch
Open Area (%):	33%. (Biggest opening 5.5 x 7mm)
Flight:	Yes (T25, T50, TC50, TCH50, T75, T100)
Sidewall:	Yes (h=25mm / 1inch, h=50mm / 2 inch)
Rod:	Ø5 mm / 0.196 inch - Self Lock
Approved:	FDA and EU
Curve:	No
Color:	Additional colors available
Cleanability:	Good
Belt Thickness:	10 mm / 0.393 inch



Product Features and Functional Benefits

- Belt provides optimal open area for drainage and airflow.
- Less friction and product contact for easy cooking, cooling and freezing of products.
- Reduced dirt and oxide build up due to self cleaning surface.
- Stainless steel pins option for high temperature applications.
- Easy to clean design reduces downtime during sanitation window.
- Stainless steel pins option reduce belt elongation for high temperature application.

Available Molded Module Sizes

- 200 mm / 7.87 inch module
- 100 mm / 3.93 inch module
- 83 mm / 3.26 inch module
- 50 mm / 1.96 inch module
- 33 mm / 1.29 inch module

MD254 FG / Technical Information

BELT MATERIAL	BELT STRENGTH				TEMPERATURE		BELT WEIGHT
	Straight		Curve		°C / °F (min.)	°C / °F (max.)	Kg/m ² / lb/ft ²
	N/m	lb/ft	N/m	lb/ft			
Polypropylene	14980	1026.46	-	-	+5 / +41	+90 / +194	4.85 / 0.99
Polyethylene	8560	586.55	-	-	-73 / -99.4	+66 / +150.8	5.20 / 1.06
Acetal	26900	1843.24	-	-	-43 / -45.4	+110 / +230	7.70 / 1.58

- Belt strength and temperature values are maximum on the table.

Available Styles



MD254 C



MD254 RR



MD254 GAP%48



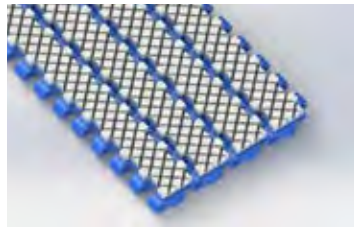
MD254 FG

MD254 Series *Accessories and Technical Specifications*



MD254 Series / Flight & Sidewall Dimensions

MD254 Series / Flights & Sidewalls				
PRODUCT CODE	Flight Height (mm/ <i>inch</i>)	Flight Width (mm/ <i>inch</i>)	PRODUCT CODE	Sidewall Height (mm/ <i>inch</i>)
MD254T25	25 / 1	200 / 7.87	MD254SW25	25 / 1
MD254T50	50 / 2	200 / 7.87	MD254SW50	50 / 2
MD254T75	75 / 3	200 / 7.87	MD254SW75	75 / 3
MD254T100	100 / 4	200 / 7.87	-	-
MD254TC50	50 / 2	200 / 7.87	-	-
MD254TCH50	50 / 2	200 / 7.87	-	-

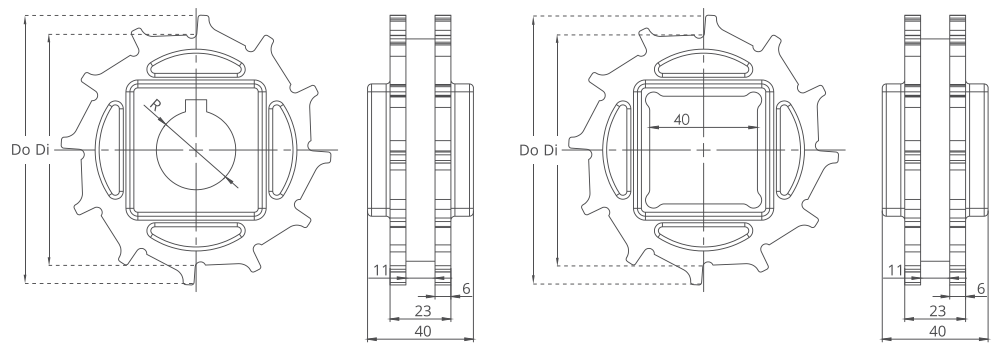


MD254 GT / Friction Top Surface

BELT TYPE	Belt Material	Belt Colour	Rubber Insert Colour	Module Width	
				mm	inch
MD254 GT	PP	White/Blue/ Gray	White/Black	200	7,87



Z12



MD254 Series / Standard Sprockets Dimensions

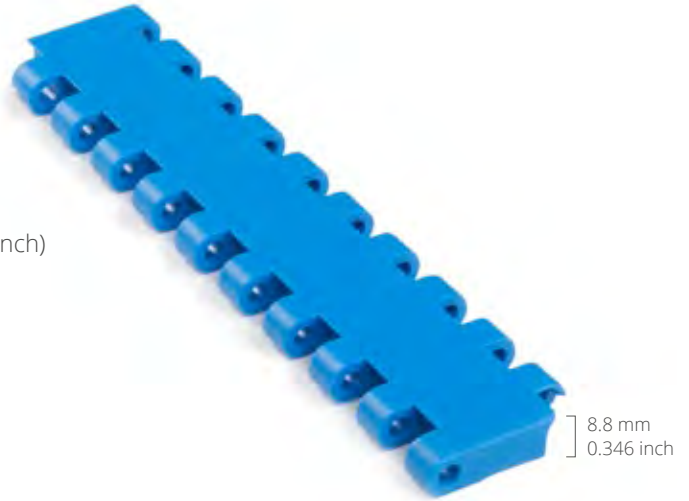
NO. TEETH	Di mm/ <i>inch</i>	Do mm/ <i>inch</i>	B mm/ <i>inch</i>	A mm/ <i>inch</i>	Square Bore (Q) mm/ <i>inch</i>	Round Bore (R) mm/ <i>inch</i>	PRODUCT CODE	
							Square Type (Q)	Round Type (R)
Z8	53 / 2.09	67.75 / 2.67	6 / 0.24	40 / 1.57	25 / 1	25 / 1	MD-TR254SQ25Z8*POM	MD-TR254SRZ8*POM
Z10	70 / 2.76	85 / 3.35	6 / 0.24	40 / 1.57	40 / 1.5	25-30 / 1-1.25	MD-TR254SQZ10*POM	MD-TR254SRZ10*POM
Z12	87 / 3.43	102 / 4.02	6 / 0.24	40 / 1.57	40 / 1.5	25-30 / 1-1.25	MD-TR254SQZ12*POM	MD-TR254SRZ12*POM
Z15	112 / 4.41	126.5 / 4.98	6 / 0.24	40 / 1.57	40 / 1.5	25-30 / 1-1.25	MD-TR254SQZ15*POM	MD-TR254SRZ15*POM
Z18	137 / 5.39	152 / 5.98	6 / 0.24	40 / 1.57	40 / 1.5	25-30 / 1-1.25	MD-TR254SQZ18*POM	MD-TR254SRZ18*POM

*Other sprockets and hub sizes are manufactured up to request.

*POM (Acetal) and PP (Polypropylene) sprockets raw material is available on request.

XP254 C

Pitch:	25.4 mm / 1 inch
Belt Surface:	Close, Smooth Surface
Minimum Width:	76,2 mm / 3 inch
Open Area (%):	0%
Flight:	Yes (T25, T50, T75, T100)
Sidewall:	Yes (h=25mm / 1inch, h=50mm / 2 inch)
Rod:	Ø4.5 mm / 0.177 inch
Approved:	FDA and EU
Curve:	No
Color:	Additional colors available
Cleanability:	Good
Belt Thickness:	8.8 mm / 0.346 inch



Product Features and Functional Benefits

- Unique sprocket engagement - higher product load and longer conveyors.
- Unique sprocket engagement reduces pulsation and increases load capacity.
- Close transfer applications.
- Extra power, bi-directional belt for long conveyors.
- Chamfered belt edges.

Available Molded Module Sizes

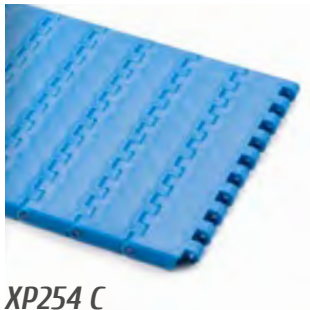
- 152.4 mm / 6 inch module
- 76.2 mm / 3 inch module

XP254 C / Technical Information

BELT MATERIAL	BELT STRENGTH				TEMPERATURE		BELT WEIGHT
	Straight		Curve		°C / °F (min.)	°C / °F (max.)	Kg/m ² / lb/ft ²
	N/m	lb/ft	N/m	lb/ft			
Polypropylene	18400	1260.80	-	-	+5 / +41	+90 / +194	5.50 / 1.13
Polyethylene	9100	623.55	-	-	-73 / -99.4	+66 / +150.8	5.80 / 1.19
Acetal	32100	2199.55	-	-	-43 / -45.4	+110 / +230	7.90 / 1.62

- Belt strength and temperature values are maximum on the table.

Available Styles



XP254 C

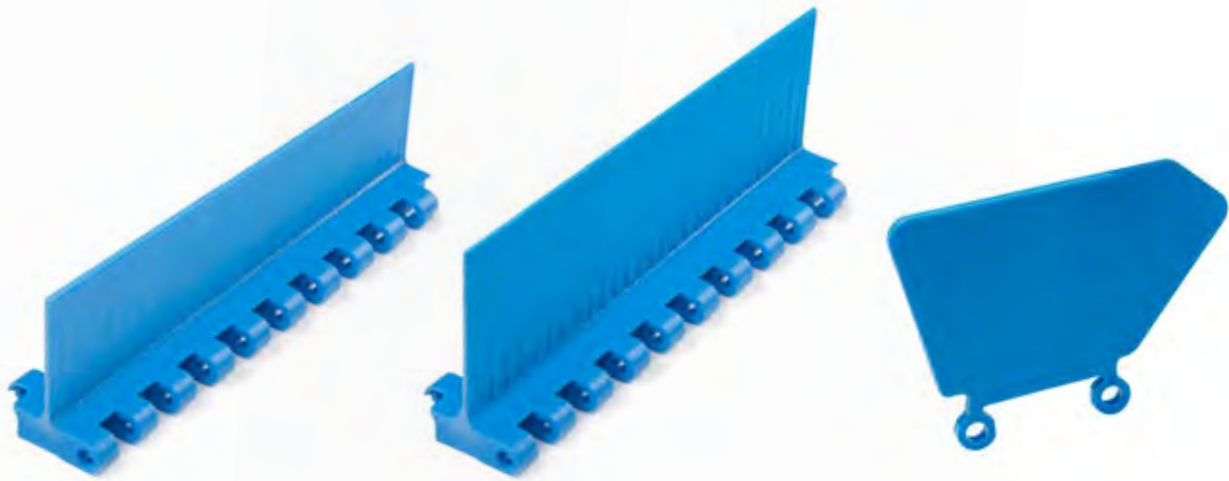


XP254 PR%22



XP254 FG

XP254 Series *Accessories and Technical Specifications*

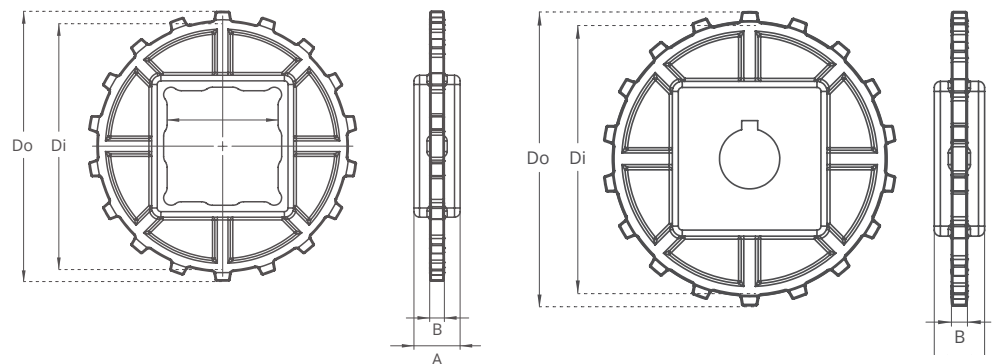


XP254 Series / Flight & Sidewall Dimensions

XP254 Series / Flights & Sidewalls				
PRODUCT CODE	Flight Height (mm/ <i>inch</i>)	Flight Width (mm/ <i>inch</i>)	PRODUCT CODE	Sidewall Height (mm/ <i>inch</i>)
XP254 T25	25 / 1	152.4 / 6	XP254SW25	25 / 1
XP254 T50	50 / 2	152.4 / 6	XP254SW50	50 / 2
XP254 T75	75 / 3	152.4 / 6	XP254SW75	75 / 3
XP254 T100	100 / 4	152.4 / 6	-	-



Z18



XP254 Series / Standard Sprockets Dimensions

NO. TEETH	Di mm/ <i>inch</i>	Do mm/ <i>inch</i>	B mm/ <i>inch</i>	A mm/ <i>inch</i>	Square Bore (Q) mm/ <i>inch</i>	Round Bore (R) mm/ <i>inch</i>	PRODUCT CODE	
							Square Type (Q)	Round Type (R)
Z8	53.2 / 2.09	64 / 2.52	8 / 0.31	25 / 1	25 / 1	25-30 / 1-1.25	XP254SQZ8*PA	XP254SRZ8*PA
Z10	71.6 / 2.82	82.5 / 3.25	8 / 0.31	25 / 1	40 / 1.5	25-30 / 1-1.25	XP254SQZ10*PA	XP254SRZ10*PA
Z12	89.0 / 3.50	99.5 / 3.92	8 / 0.31	25 / 1	40 / 1.5	25-30 / 1-1.25	XP254SQZ12*PA	XP254SRZ12*PA
Z15	114.0 / 4.49	124.0 / 4.88	8 / 0.31	25 / 1	40-60 / 1.5-2.5	25-30 / 1-1.25	XP254SQZ15*PA	XP254SRZ15*PA
Z18	136.4 / 5.37	146.4 / 5.76	8 / 0.31	25 / 1	40-60 / 1.5-2.5	25-30 / 1-1.25	XP254SQZ18*PA	XP254SRZ18*PA

*Other sprockets and hub sizes are manufactured up to request. *POM (Acetal) and PP (Polypropylene) sprockets raw material is available on request.

***Split sprockets are available for each size.**

XP254 CR

Pitch:	25.4 mm / 1 inch
Belt Surface:	Close, Non Slip Surface
Minimum Width:	50 mm / 2 inch
Open Area (%):	0%
Flight:	-
Sidewall:	-
Rod:	Ø4.5 mm / 0.177 inch - Self Lock
Approved:	-
Curve:	No
Color:	Additional colors available
Cleanability:	Good
Belt Thickness:	8.8 mm / 0.346 inch

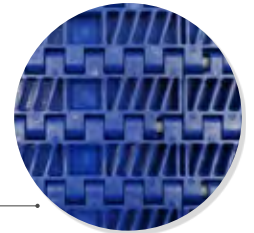


Product Features and Functional Benefits

- Chamfered belt edges.
- Unique sprocket engagement - higher product load and longer conveyors.
- Unique sprocket engagement reduces pulsation and increases load capacity.
- Close transfer applications.
- Extra power, bi-directional belt for long conveyors.
- Safety walking top surface.

Available Molded Module Sizes

- 152.4 mm / 6 inch module
- 76.2 mm / 3 inch module
- 50 mm / 2 inch module



Reinforced Bottom Surface

XP254 CR / Technical Information

BELT / PIN MATERIAL	BELT STRENGTH				TEMPERATURE		BELT WEIGHT Kg/m ² / lb/ft ²
	Straight		Curve		°C / °F (min.)	°C / °F (max.)	
	N/m	lb/ft	N/m	lb/ft			
Acetal / PA6	40250	2758	-	-	-43 / -45.4	+110 / +230	7.90 / 1.62

- Belt strength and temperature values are maximum on the table.

XP254 FLT CR

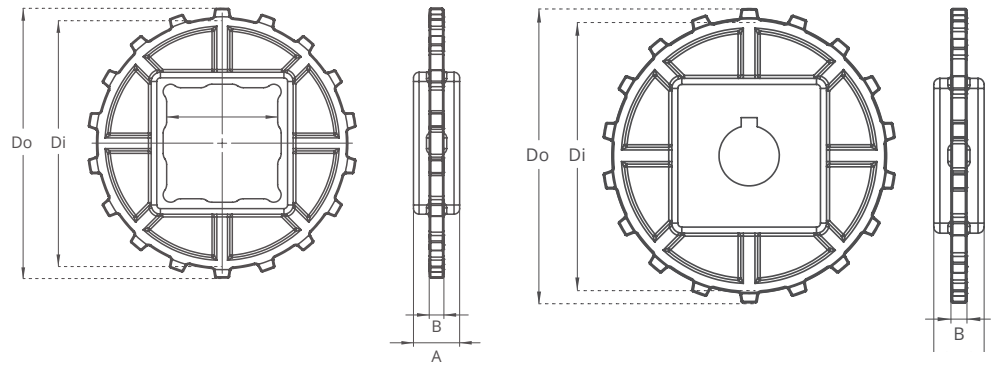
Pitch:	25.4 mm / 1 inch
Belt Surface:	Close, Flat Top Surface
Minimum Width:	50 mm / 2 inch
Open Area (%):	0%
Flight:	-
Sidewall:	-
Rod:	Ø4.5 mm / 0.177 inch - Self Lock
Approved:	-
Curve:	No
Color:	Additional colors available
Cleanability:	Good
Belt Thickness:	8.8 mm / 0.346 inch



XP254 Series *Accessories and Technical Specifications*



Z18



XP254 Series / Standard Sprockets Dimensions

NO. TEETH	Di mm/inch	Do mm/inch	B mm/inch	A mm/inch	Square Bore (Q) mm/inch	Round Bore (R) mm/inch	PRODUCT CODE	
							Square Type (Q)	Round Type (R)
Z8	53.2 / 2.09	64 / 2.52	8 / 0.31	25 / 1	25 / 1	25-30 / 1-1.25	XP254SQZ8*PA	XP254SRZ8*PA
Z10	71.6 / 2.82	82.5 / 3.25	8 / 0.31	25 / 1	40 / 1.5	25-30 / 1-1.25	XP254SQZ10*PA	XP254SRZ10*PA
Z12	89.0 / 3.50	99.5 / 3.92	8 / 0.31	25 / 1	40 / 1.5	25-30 / 1-1.25	XP254SQZ12*PA	XP254SRZ12*PA
Z15	114.0 / 4.49	124.0 / 4.88	8 / 0.31	25 / 1	40-60 / 1.5-2.5	25-30 / 1-1.25	XP254SQZ15*PA	XP254SRZ15*PA
Z18	136.4 / 5.37	146.4 / 5.76	8 / 0.31	25 / 1	40-60 / 1.5-2.5	25-30 / 1-1.25	XP254SQZ18*PA	XP254SRZ18*PA

*Other sprockets and hub sizes are manufactured up to request. *POM (Acetal) and PP (Polypropylene) sprockets raw material is available on request.

*Split sprockets are available for each size.



Non skid surfaces offer a safe way to traverse corrugated conveyors.

MD508 FG (Heavy Duty)

Pitch:	50.8 mm / 2 inch
Belt Surface:	Open smooth surface
Minimum Width:	150 mm / 5.90 inch
Open Area (%):	37%
Flight:	Yes (T50, T100, T150)
Sidewall:	-
Rod:	Ø7 mm / 0.275 inch
Approved:	FDA and EU
Curve:	No
Color:	Additional colors available
Cleanability:	Excellent
Belt Thickness:	16 mm / 0.629 inch



Product Features and Functional Benefits

- Belt provides optimal open area for drainage and airflow.
- Less friction and product contact for easy cooking, cooling and freezing of products.
- Reduced dirt and oxide build up due to self cleaning surface.
- Stainless steel pins option for high temperature applications.
- Easy to clean design reduces downtime during sanitation window.
- Stainless steel pins option reduce belt elongation for high temperature application.

Available Molded Module Sizes

- 150 mm / 5.90 inch module

MD508 FG / Technical Information

BELT MATERIAL	BELT STRENGTH				TEMPERATURE		BELT WEIGHT
	Straight		Curve		°C / °F (min.)	°C / °F (max.)	Kg/m ² / lb/ft ²
	N/m	lb/ft	N/m	lb/ft			
Polypropylene	38000	2603.83	-	-	+5 / +41	+90 / +194	6.90 / 1.41
Polyethylene	24000	1644.52	-	-	-73 / -99.4	+66 / +150.8	7.20 / 1.47
Acetal	55000	3768.70	-	-	-43 / -45.4	+110 / +230	10.50 / 2.15

- Belt strength and temperature values are maximum on the table.

Available Styles



MD508 C



MD508 FG



MD508 PR%25

MD508 Series *Accessories and Technical Specifications*

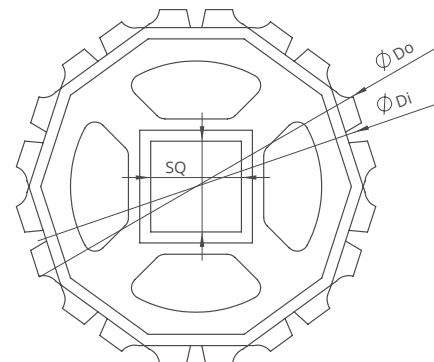
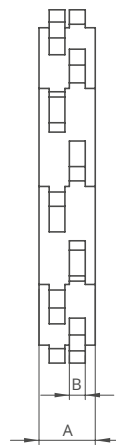
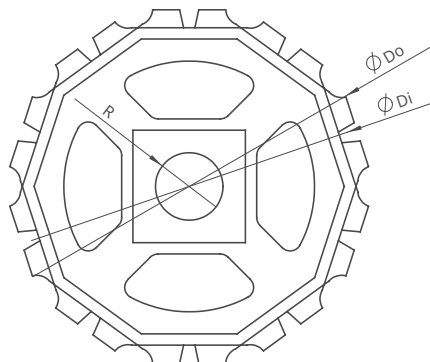


MD508 Series / Flight & Sidewall Dimensions

MD508 Series / Flights & Sidewalls				
PRODUCT CODE	Flight Height (mm/ <i>inch</i>)	Flight Width (mm/ <i>inch</i>)	PRODUCT CODE	Sidewall Height (mm/ <i>inch</i>)
MD508 T50	50 / 2	152,4 / 5.90	-	-
MD508 T100	100 / 4	152,4 / 5.90	-	-
MD508 T150	150 / 6	152,4 / 5.90	-	-



Z8



MD508 Series / Standard Sprockets Dimensions

NO. TEETH	Di mm/ <i>inch</i>	Do mm/ <i>inch</i>	B mm/ <i>inch</i>	A mm/ <i>inch</i>	Square Bore (Q) mm/ <i>inch</i>	Round Bore (R) mm/ <i>inch</i>	PRODUCT CODE	
							Square Type (Q)	Round Type (R)
Z6	72.33 / 2.85	88.33 / 3.48	7 / 0.27	40 / 1.57	40 / 1.5	25-30 / 1-1.25	MD508SQZ6*POM	MD508SRZ6*POM
Z8	107.12 / 4.22	123.12 / 4.85	7 / 0.27	40 / 1.57	40 / 1.5	25-30 / 1-1.25	MD508SQZ8*POM	MD508SRZ8*POM
Z10	141 / 5.55	157 / 6.18	7 / 0.27	40 / 1.57	40-60 / 1.5-2.5	25-30 / 1-1.25	MD508SQZ10*POM	MD508SRZ10*POM
Z12	174.33 / 6.86	190.33 / 7.49	7 / 0.27	40 / 1.57	40-60 / 1.5-2.5	25-30 / 1-1.25	MD508SQZ12*POM	MD508SRZ12*POM

*Other sprockets and hub sizes are manufactured up to request.

*POM (Acetal) and PP (Polypropylene) sprockets raw material is available on request.

EC508 C (Easy Clean)

Pitch:	50.8 mm / 2 inch
Belt Surface:	Close, Smooth Surface
Minimum Width:	200 mm / 7.87 inch
Open Area (%):	0%
Flight:	Yes (T25, T50, T75, TC75, T100, TC100, T150)
Sidewall:	Yes (h=25 mm / 1 inch, h=50 mm / 2 inch, h=75 mm / 3 inch)
Rod:	Ø7 mm / 0.275 inch - Self Lock
Approved:	FDA and EU
Curve:	No
Color:	Additional colors available
Cleanability:	Excellent
Belt Thickness:	16 mm / 0.63 inch



Product Features and Functional Benefits

- Easy to clean design reduces downtime during sanitation window.
- Close transfer applications. Reduces bacteria growth.
- Unique sprocket engagement - higher product load and longer conveyors.
- Strong and thick product supports allow more load without breaking.
- Impact resistance to withstand heavy objects falling into the belt.

Available Molded Module Sizes

- 200 mm / 7.87 inch module
- 100 mm / 3.93 inch module
- 60 mm / 2.36 inch module
- 40 mm / 1.57 inch module

EC508 C / Technical Information

BELT MATERIAL	BELT STRENGTH				TEMPERATURE		BELT WEIGHT
	Straight		Curve		°C / °F (min.)	°C / °F (max.)	Kg/m ² / lb/ft ²
	N/m	lb/ft	N/m	lb/ft			
Polypropylene	19260	1319.73	-	-	+5 / +41	+90 / +194	8.00 / 1.64
Polyethylene	11000	753.74	-	-	-73 / -99.4	+66 / +150.8	8.20 / 1.68
Acetal	29500	2021.39	-	-	-43 / -45.4	+110 / +230	12.10 / 2.48

- Belt strength and temperature values are maximum on the table.



EC508 C



EC508 NT



EC508 DT



EC508 FG



EC508 FG-NT



EC508 PR%22



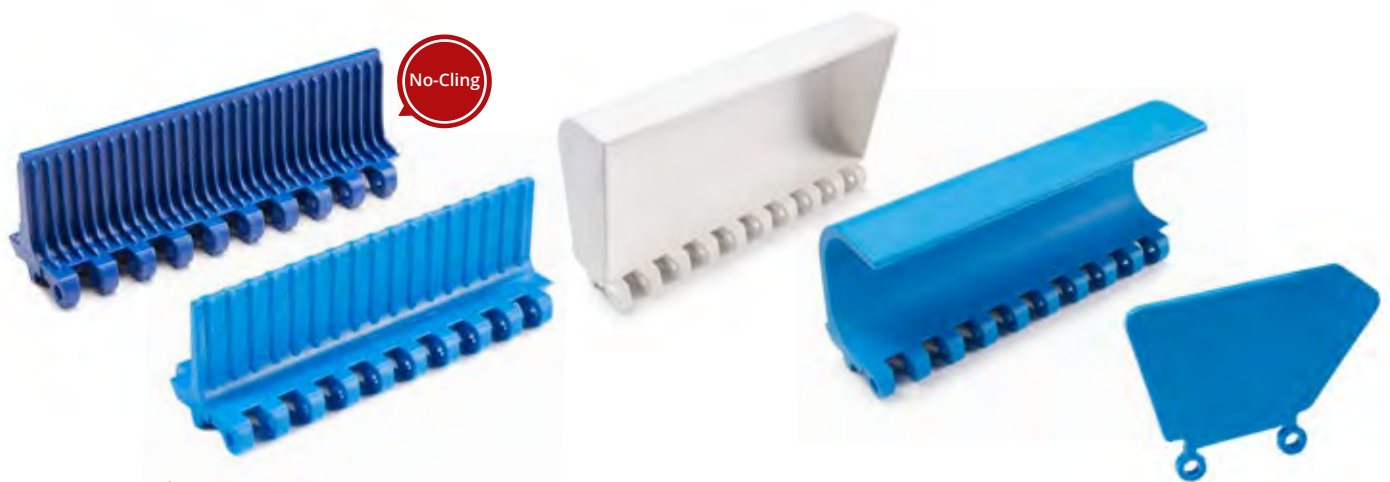
EC508 PR%11



EC508 PR%13



EC508 Series *Accessories and Technical Specifications*

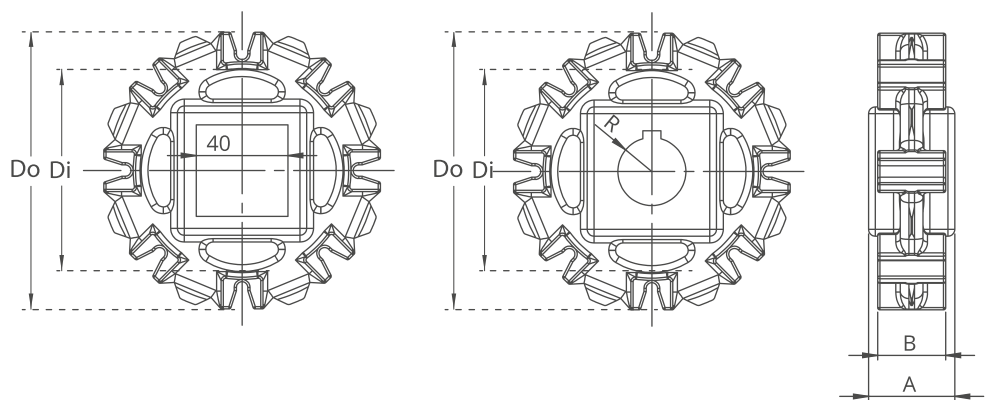


EC508 Series / Flight & Sidewall Dimensions

EC508 Series / Flights & Sidewalls				
PRODUCT CODE	Flight Height (mm/ <i>inch</i>)	Flight Width (mm/ <i>inch</i>)	PRODUCT CODE	Sidewall Height (mm/ <i>inch</i>)
EC508T25	25 / 1	200 / 7.87	EC508SW25	25 / 1
EC508T50	50 / 2	200 / 7.87	EC508SW50	50 / 2
EC508T75	75 / 3	200 / 7.87	EC508SW75	75 / 3
EC508T100	100 / 4	200 / 7.87	EC508SW100	100 / 4
EC508T150	150 / 6	200 / 7.87	-	-
EC508TC75	75 / 3	200 / 7.87	-	-
EC508TC100	100 / 4	200 / 7.87	-	-
EC508TCC75	75 / 3	200 / 7.87	-	-
EC508TCC100	100 / 4	200 / 7.87	-	-



Z10



EC508 Series / Standard Sprockets Dimensions

NO. TEETH	Di mm/ <i>inch</i>	Do mm/ <i>inch</i>	B mm/ <i>inch</i>	A mm/ <i>inch</i>	Square Bore(Q) mm/ <i>inch</i>	Round Bore(R) mm/ <i>inch</i>	PRODUCT CODE	
							Square Type (Q)	Round Type (R)
Z6	73 / 2.87	90 / 3.54	30 / 1.18	40 / 1.57	40 / 1.5	25-30 / 1-1.25	EC508SQFZ6*PA	EC508SRFZ6*PA
Z8	107.5 / 4.23	124.5 / 4.90	30 / 1.18	40 / 1.57	40 / 1.5	25-30 / 1-1.25	EC508SQFZ8*PA	EC508SRFZ8*PA
Z10	141.5 / 5.57	158 / 6.22	30 / 1.18	40 / 1.57	40-60 / 1.5-2.5	25-30 / 1-1.25	EC508SQFZ10*PA	EC508SRFZ10*PA
Z12	175.2 / 6.90	191.2 / 7.53	30 / 1.18	40 / 1.57	40-60 / 1.5-2.5	25-30 / 1-1.25	EC508SQFZ12*PA	EC508SRFZ12*PA

*Other sprockets and hub sizes are manufactured up to request. *POM (Acetal) and PP (Polypropylene) sprockets raw material is available on request.

HP508 RR

Pitch:	50.8 mm / 2 inch
Belt Surface:	Open, Raised Rib Surface
Minimum Width:	152.4 mm / 6 inch
Open Area (%):	36%. (Biggest opening 3.5x18.5 mm)
Flight:	No
Sidewall:	No
Rod:	Ø7 mm / 0.275 inch
Approved:	FDA and EU
Curve:	No
Color:	Additional colors available
Cleanability:	Good
Belt Thickness:	24 mm / 0.94 inch
Comb:	Yes



Product Features and Functional Benefits

- Less friction and product contact for easy cooking, cooling and freezing of products.
- Reduced back line pressure.
- Reduced dirt and oxide build up due to self cleaning surface.
- Finger plate for trouble free transfer.
- Unique sprocket engagement reduces pulsation and increases load capacity.

HP508 RR / Technical Information

BELT MATERIAL	BELT STRENGTH				TEMPERATURE		BELT WEIGHT
	Straight		Curve		°C / °F (min.)	°C / °F (max.)	Kg/m ² / lb/ft ²
	N/m	lb/ft	N/m	lb/ft			
Polypropylene	34200	2343.44	-	-	+5 / +41	+90 / +194	8.90 / 1.82
Polyethylene	-	-	-	-	-	-	-
Acetal	45500	3117.74	-	-	-43 / -45.4	+110 / +230	13.50 / 2.76

- Belt strength and temperature values are maximum on the table.

Available Styles



HP508 C



HP508 RR

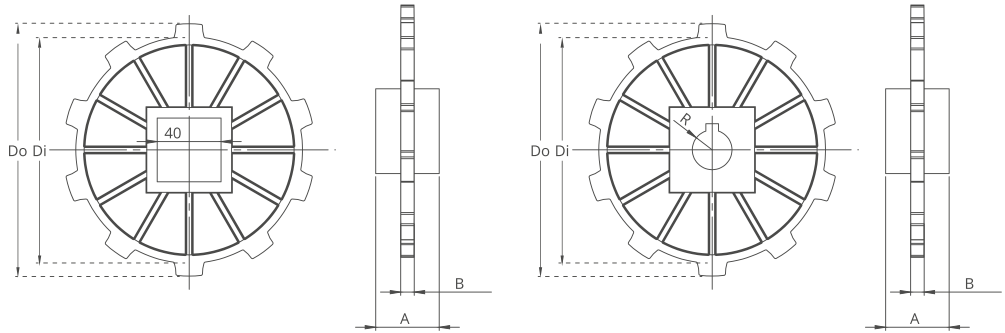


HP508 FG
Battery Belt

HP508 Series *Accessories and Technical Specifications*



Z8

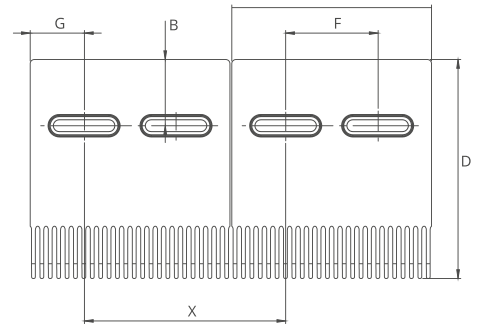
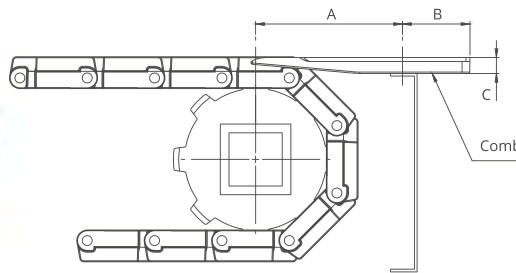


HP508 Series / Standard Sprockets Dimensions

NO.TEETH	Di mm/inch	Do mm/inch	B mm/inch	A mm/inch	Square Bore (Q) mm/inch	Round Bore (R) mm/inch	PRODUCT CODE	
							Square Type (Q)	Round Type (R)
Z8	109 / 4.29	125 / 4.92	9 / 0.35	40 / 1.57	40 / 1.5	25-30 / 1-1.25	HP508SQZ8*PA	HP508SRZ8*PA
Z10	142 / 5.59	159 / 6.22	9 / 0.35	40 / 1.57	40 / 1.5	25-30 / 1-1.25	HP508SQZ10*PA	HP508SRZ10*PA

*Other sprockets and hub sizes are manufactured up to request.

*POM (Acetal) and PP (Polypropylene) sprockets raw material is available on request.



EC254 R

Pitch :	25.4 mm / 1 inch
Belt Surface :	Open, Smooth Surface
Minimum Width :	100 mm / 4 inch
Open Area (%) :	36%. (Biggest opening 7.5x12 mm)
Flight :	Yes. (h=25 mm / 1 inch, h=50 mm / 2 inch)
Side Wall :	No
Rod :	Ø5 mm / 0.196 inch - Self Lock
Approved :	FDA and EU
Curve :	Yes
Color :	Additional colors available
Cleanability :	Excellent
Application :	Straight and side flexing
Collapse Factor :	2.1 - 2.4 (Changeable according to belt width)
Belt Thickness:	11 mm / 0.43 inch



Product Features and Functional Benefits

- Belt designed for tight radius applications.
- Available for light and medium load capacity.
- 180 degree high speed side flexing applications.
- High temperature and wear resistance. Unique locking system.
- Belt provides optimal open area for drainage and airflow.

EC254 R / Technical Information

BELT MATERIAL	BELT STRENGTH				TEMPERATURE		BELT WEIGHT
	Straight		Curve		°C / °F (min.)	°C / °F (max.)	Kg/m ² / lb/ft ²
	N/m	lb/ft	N/m	lb/ft			
Polypropylene	9000	616.70	1200	82.2	+5 / +41	+90 / +194	5.10 / 1.04
Polyethylene	-	-	-	-	-	-	-
Acetal	16250	1113.48	1600	109.6	-43 / -45.4	+110 / +230	7.40 / 1.52

- Belt strength and temperature values are maximum on the table.

EC254 R-GT

Pitch :	26 mm / 1 inch
Belt Surface :	Friction Top Surface
Minimum Width :	100 mm / 4 inch
Open Area (%) :	38%. (Biggest opening 6.5x12 mm)
Flight :	Yes
Side Wall :	No
Rod :	Ø5 mm / 0.196 inch - Self Lock
Approved :	FDA and EU
Curve :	Yes
Color :	Additional colors available
Cleanability :	Excellent
Application :	Straight and side flexing
Collapse Factor :	2.1 - 2.4 (Changeable according to belt width)
Belt Thickness:	11 mm / 0.43 inch



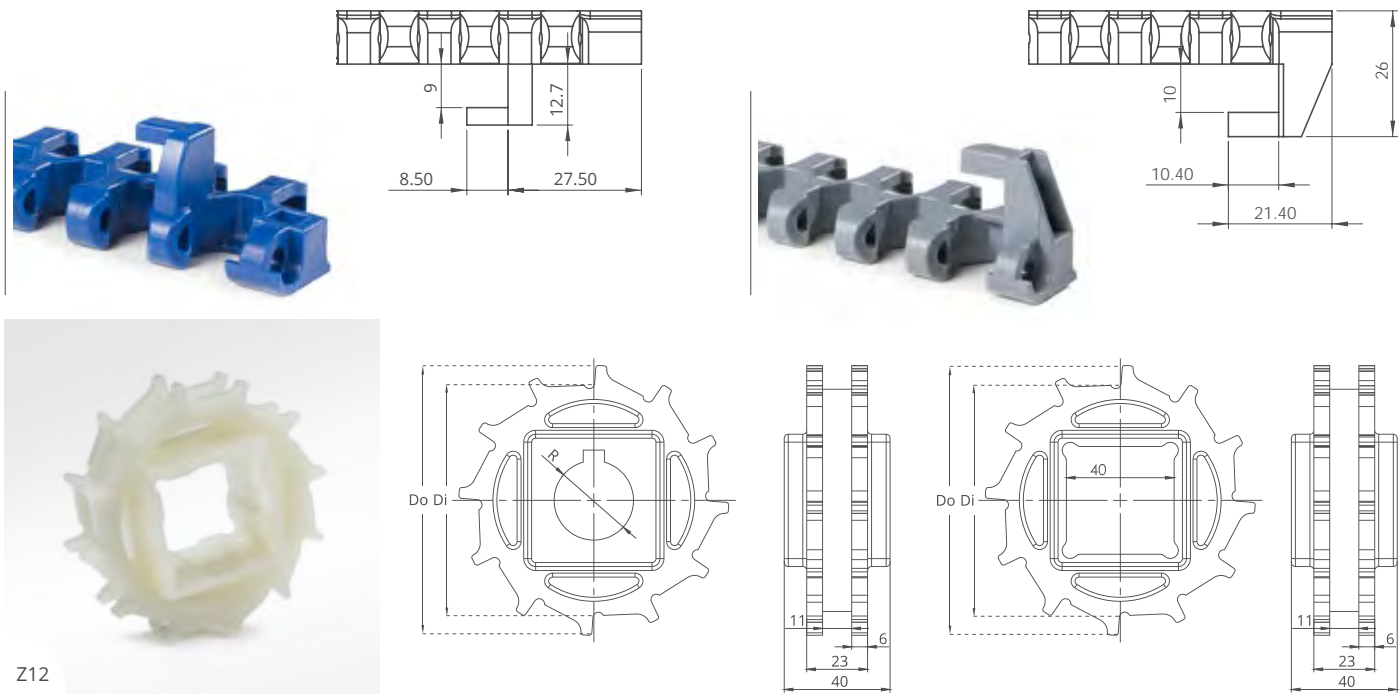
EC254 R Series *Accessories and Technical Specifications*



EC254 R Series / Flight & Sidewall Dimensions

EC254R Series / Flights & Sidewalls				
PRODUCT CODE	Flight Height (mm/ <i>inch</i>)	Flight Width (mm/ <i>inch</i>)	PRODUCT CODE	Sidewall Height (mm/ <i>inch</i>)
EC254R T25	25 / 1	165 / 6.49	-	-
EC254R T50	50 / 2	165 / 6.49	-	-

EC254 R Series / TAB - Technical Specification



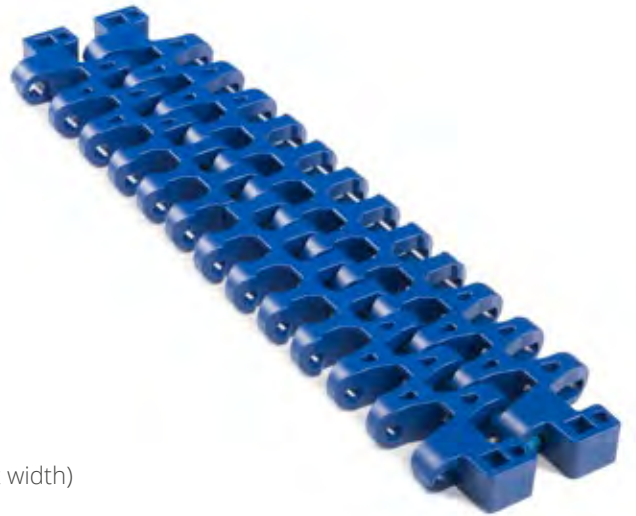
EC254 R Series / Standard Sprockets Dimensions

NO. TEETH	Di mm/ <i>inch</i>	Do mm/ <i>inch</i>	B mm/ <i>inch</i>	A mm/ <i>inch</i>	Square Bore (Q) mm/ <i>inch</i>	Round Bore (R) mm/ <i>inch</i>	PRODUCT CODE	
							Square Type (Q)	Round Type (R)
Z8	53 / 2.09	67.75 / 2.67	6 / 0.24	40 / 1.57	25 / 1	25 / 1	MD-TR254SQ25Z8*POM	MD-TR254SRZ8*POM
Z10	70 / 2.76	85 / 3.35	6 / 0.24	40 / 1.57	40 / 1.5	25-30 / 1-1.25	MD-TR254SQZ10*POM	MD-TR254SRZ10*POM
Z12	87 / 3.43	102 / 4.02	6 / 0.24	40 / 1.57	40 / 1.5	25-30 / 1-1.25	MD-TR254SQZ12*POM	MD-TR254SRZ12*POM
Z15	112 / 4.41	126.5 / 4.98	6 / 0.24	40 / 1.57	40 / 1.5	25-30 / 1-1.25	MD-TR254SQZ15*POM	MD-TR254SRZ15*POM
Z18	137 / 5.39	152 / 5.98	6 / 0.24	40 / 1.57	40 / 1.5	25-30 / 1-1.25	MD-TR254SQZ18*POM	MD-TR254SRZ18*POM

*Other sprockets and hub sizes are manufactured up to request.
*POM (Acetal) and PP (Polypropylene) sprockets raw material is available on request.

EC254T R (Tight Radius)

Pitch :	26 mm / 1 inch
Belt Surface :	Smooth Surface
Minimum Width :	167 mm / 6.57 inch
Open Area (%) :	38%. (Biggest opening 6.5x12 mm)
Flight :	No
Side Wall :	No
Rod :	Ø5 mm / 0.196 inch - Self Lock
Approved :	FDA and EU
Curve :	Yes
Color :	Additional colors available
Cleanability :	Excellent
Application :	Straight and side flexing
Collapse Factor :	1.4 - 1.6 (Changeable according to belt width)
Belt Thickness:	13 mm / 0.51 inch



Product Features and Functional Benefits

- Belt designed for tight radius applications.
- Available for light and medium load capacity.
- 180 degree high speed side flexing applications.
- High temperature and wear resistance. Unique locking system.
- Belt provides optimal open area for drainage and airflow.

EC254T R / Technical Information

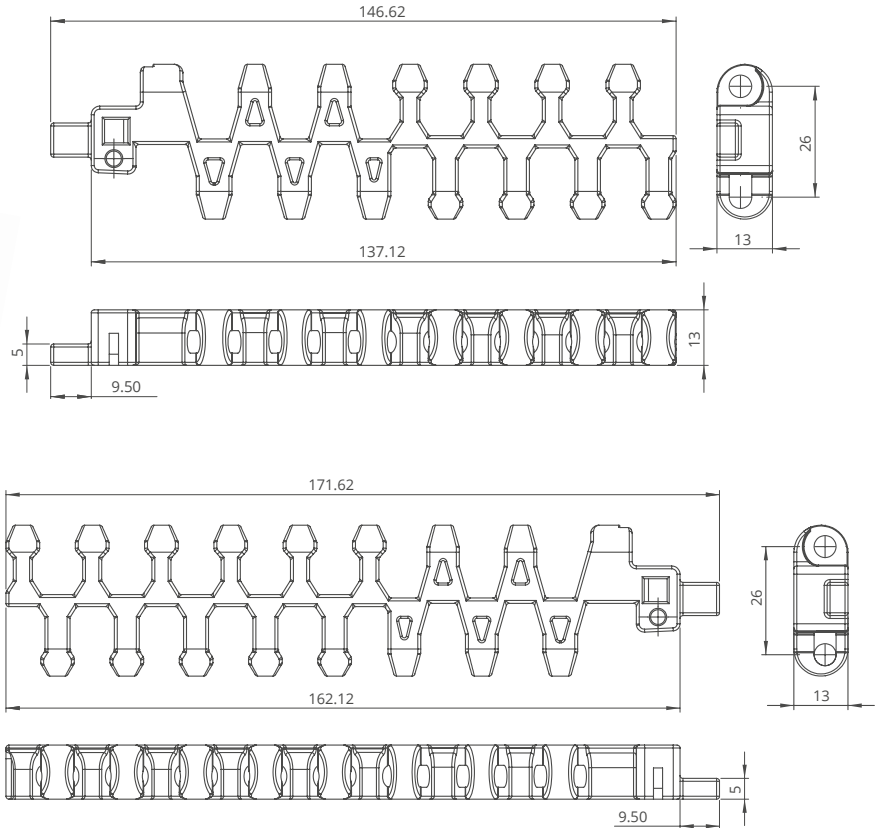
BELT MATERIAL	BELT STRENGTH				TEMPERATURE		BELT WEIGHT
	Straight		Curve		°C / °F (min.)	°C / °F (max.)	Kg/m ² / lb/ft ²
	N/m	lb/ft	N/m	lb/ft			
Polypropylene	9000	616.70	1200	82.2	+5 / +41	+90 / +194	5.10 / 1.04
Polyethylene	-	-	-	-	-	-	-
Acetal	16250	1113.48	1600	109.6	-43 / -45.4	+110 / +230	7.40 / 1.52

- Belt strength and temperature values are maximum on the table.

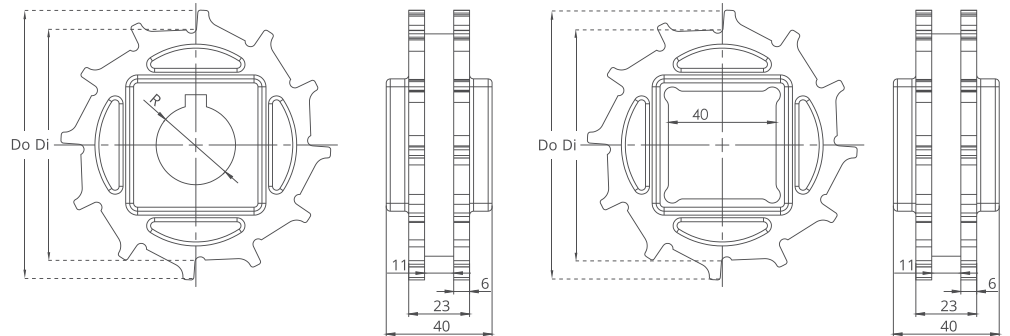


EC254T R Series *Accessories and Technical Specifications*

EC254T R Series / TAB - Technical Specification



Z12



EC254T R Series / Standard Sprockets Dimensions

NO. TEETH	Di mm/inch	Do mm/inch	B mm/inch	A mm/inch	Square Bore (Q) mm/inch	Round Bore (R) mm/inch	PRODUCT CODE	
							Square Type (Q)	Round Type (R)
Z8	53 / 2.09	67.75 / 2.67	6 / 0.24	40 / 1.57	25 / 1	25 / 1	MD-TR254SQ25Z8*POM	MD-TR254SRZ8*POM
Z10	70 / 2.76	85 / 3.35	6 / 0.24	40 / 1.57	40 / 1.5	25-30 / 1-1.25	MD-TR254SQZ10*POM	MD-TR254SRZ10*POM
Z12	87 / 3.43	102 / 4.02	6 / 0.24	40 / 1.57	40 / 1.5	25-30 / 1-1.25	MD-TR254SQZ12*POM	MD-TR254SRZ12*POM
Z15	112 / 4.41	126.5 / 4.98	6 / 0.24	40 / 1.57	40 / 1.5	25-30 / 1-1.25	MD-TR254SQZ15*POM	MD-TR254SRZ15*POM
Z18	137 / 5.39	152 / 5.98	6 / 0.24	40 / 1.57	40 / 1.5	25-30 / 1-1.25	MD-TR254SQZ18*POM	MD-TR254SRZ18*POM

*Other sprockets and hub sizes are manufactured up to request.

*POM (Acetal) and PP (Polypropylene) sprockets raw material is available on request.

Engineering Information

All Products

BELT CODE	Bakery	Meat	Poultry	Seafood	Fruit & Vegetables	Snackfood	Beverages & Bottling	Can Manufacturing	Tire Manufacturing	Automotive	Corrugated Cardboard	Packaging	Printing & Paper	Material Handling	Textile	Postal
EC127 C	*	*	*	*	*	*	*	*	*	*	*	*	*			
EC127 FG	*	*		*	*	*	*			*	*		*			
EC127 GT	*	*	*	*	*	*	*				*	*	*			
XP254 C	*	*	*	*	*	*	*	*	*	*		*	*	*		
XP254 PR%22		*		*	*	*									*	
XP254 FG			*	*	*	*		*							*	
XP254 FLT CR							*	*		*	*			*		
XP254 CR							*			*				*		
EC254 C		*	*		*	*										
EC254 PR%16					*											
EC254 NT		*	*		*											
MD254 C	*	*	*	*	*	*	*	*			*	*	*			
MD254 FG	*	*	*	*	*	*	*	*	*		*		*	*		
MD254 RR				*	*	*	*				*		*			
MD254 GT	*	*	*	*	*	*	*				*		*			
MD254 GAP%48	*			*	*										*	
EC381 C					*											
EC381 PR%22					*											
EC381 FG					*											
EC381 NT					*											
EC508 C		*	*	*	*	*					*		*			
EC508 PR%22			*	*	*	*					*		*			
EC508 PR%11				*	*	*					*		*			
EC508 PR%13				*	*	*					*		*			
EC508 FG				*	*	*		*			*		*			
EC508 DT			*	*	*	*					*		*			
HP508 C				*	*	*	*	*	*	*	*		*			
HP508 RR				*	*	*	*	*	*	*	*		*		*	
EC254 R	*	*	*	*	*	*	*	*	*	*	*	*	*	*	*	*
EC254T R (Tight Radius)	*	*	*	*	*	*	*	*	*	*	*	*	*	*	*	*

BELT RAW MATERIAL / PINS RAW MATERIAL COMBINATION

	Applications	Belt Modules	Rods Pins
Standard	General Use Dry General Use Wet Chemical Resistance Low Temperature Low Temperature High Load Dry	PP PP PP PE POM POM	PP - POM or PA POM or PP PP PE - POM PE - POM PA
High Temperature	High Load Dry Wet 55 to 108 °C Temperature up to 180 °C	POM PPH (special) PA	PA PPH (Special) / Steel PA / Steel
Abrasive Conditions	Dry Wet up to 55 °C	POM PP	PA POM

Engineering Information

All Products

STANDARD BELT MATERIALS WITH MODUTECH CODE				
Material	Description	Code	Food Approved	Temperature
Polypropylene	<ul style="list-style-type: none"> - Standard material for the most common conveying applications. - Excellent chemical resistance. 	PP	FDA - EU	+5 to +80 °C
Polyethylene	<ul style="list-style-type: none"> - Excellent chemical resistance. - Well suited for very low temperature with good impact resistance. - Not suitable for abrasive conditions. 	PE	FDA - EU	-70 to +60 °C
Polyacetal	<ul style="list-style-type: none"> - Good strength and low coefficient of friction. - Not suitable for chemical environment. - Suitable for heavy duty applications. 	POM	FDA - EU	Dry Conditions -38 to +90 °C Wet Conditions -35 to +60 °C

STANDARD BELT RAW MATERIALS WITH MODUTECH CODE				
Material	Description	Code	Food Approved	Temperature
Polyamide6	<ul style="list-style-type: none"> - High strength and abrasion resistance. - Suitable for heavy duty applications. - Not suitable for wet conditions. 	PA6	FDA - EU	Dry Conditions -35 to +120 °C Wet Conditions Not Recommended
Polyamide6.6	<ul style="list-style-type: none"> - Better strength and abrasion resistance. - Suitable for heavy duty applications. - Not suitable for wet conditions. 	PA6.6	FDA - EU	Dry Conditions -35 to +120 °C Wet Conditions Not Recommended
Antistatic Polyacetal	<ul style="list-style-type: none"> - Reduced electrical surface to reduce belt charge up and dust accumulation. - Suitable for heavy duty applications and low temperature. 	POM	-	Dry Conditions -35 to +80 °C Wet Conditions Not Recommended
Detectable Polyacetal	<ul style="list-style-type: none"> - Polyacetal with a special additive, which makes the material very well detectable for X-ray and metal detectors. 	POM	FDA - EU	Dry Conditions -38 to +90 °C
Detectable Polypropylene	<ul style="list-style-type: none"> - Polypropylene with a special additive, which makes the material very well detectable for X-ray and metal detectors. 	PP	FDA - EU	+5 to +90 °C
Hot Water Resistant Polypropylene	<ul style="list-style-type: none"> - Polypropylene with a special additive to improved temperature resistance. - Suitable for wet conditions. 	PPH	FDA - EU	+5 to +108 °C
Low Friction Acetal	<ul style="list-style-type: none"> - Better strength and low coefficient of friction. - Not suitable for chemical environment. - Suitable for heavy duty applications. 	POM LF	FDA - EU	+5 to +108 °C
High Performance Acetal (PBT)	<ul style="list-style-type: none"> - Extra wear resistance, strength and low coefficient of friction. - Not suitable for chemical environment. - Suitable for heavy duty applications. 	POM HP	FDA - EU	-35 to +90 °C
Extra High Temperature (EHT)	<ul style="list-style-type: none"> - Excellent heat resistance. - Suitable for light-medium duty applications at elevated temperatures. 	PA EHT	FDA - EU	Dry Conditions +4 to +210 °C Wet Conditions No Request



MODUTECH®

- DECLARATION OF COMPLIANCE -

Modutech Konveyör Bant Sistemleri San. ve Tic. A.S., Kemalpaşa OSB Mah. No: 228
Kuyucak Yolu Kumeevleri / İzmir, Turkey, here by declares under its exclusive
responsibility that the Modular Belt (PP)

Conforms with the Food Regulation:

FDA

according to the CFR code
code of Federal Regulations

Title 21 § 177.520

Granules and additives used to manufacture the modular belts are selected exclusively
among those listed by FDA standard

Specifications 3.1 olefin copolymers for use in articles that contact food except
for articles used for packing and holding food during cooking.

This attest was issued on the basis of the accredited NSF laboratory test with:

Project no: 9896049,

Date of Report: January 9th, 2015



Modutech Konveyör Bant
Sistemleri San. ve Tic. A.S.
Ankara Asfaltı 25.km Köşeböcekler Mevki
Kuyucak Kemalpaşa / İzmir - TÜRKİYE
Phone : +90 232 877 00 22 (pbx)
Fax : +90 232 877 01 11
Mail: info@modutech.com.tr
www.modutech.com.tr

İbrahim BAYIR
Modutech Quality Manager



MODUTECH®

- DECLARATION OF COMPLIANCE -

Modutech Konveyör Bant Sistemleri San. ve Tic. A.S., Kemalpaşa OSB Mah. No: 228
Kuyucak Yolu Kumeevleri / İzmir, Turkey, here by declares under its exclusive responsibility that the
MODULAR BELT POLYPROPYLENE PLASTIC (PP) RAW MATERIAL

Conforms with the Food Regulations with reference to
COMMISSION REGULATION EU NO 10/2011 of 14 January 2011 and amendments

**The belt is suitable to come into contact with any aqueous, acid, oily and fatty food listed in the Regulation
EU 10/2011 and amendments.**

As prescribed by Commission Regulation EU 10/2011 - Annex III and Annex V, MODUTECH declares that:

All materials used to produce this belt comply with the applicable law.

The overall migration of the authorised substances, measured using the prescribed extracting substances
(simulants) is lower than the maximum limit allowed:

Overall migration with simulant A - ethanol 10%	< 10 mg / dm ²
Overall migration with simulant B - acetic acid 3%	< 10 mg / dm ²
Overall migration with simulant - ethanol 95%	< 10 mg / dm ²
Overall migration with simulant - isooctane	< 10 mg / dm ²
Overall migration with simulant E - MPPPO (tenax)	< 10 mg / dm ²

Tests have been carried out for a period of 2 hours at 70°C.
The limit of detection is 3 mg / dm².

The soluble heavy metals in aqueous test is lower than the maximum limit allowed :

Specific migration of Barium	< 1,00 mg / kg
Specific migration of Cobalt	< 0,05 mg / kg
Specific migration of Copper	< 5,00 mg / kg
Specific migration of Iron	< 48,00 mg / kg
Specific migration of Lithium	< 0,60 mg / kg
Specific migration of Manganese	< 0,60 mg / kg
Specific migration of Zinc	< 25,00 mg / kg

The information herein contained represents an extract from an analysis certification issued by a
Accredited IAS laboratory test with: Report no TR1130211 Dated 07.06.2017



Modutech Konveyör Bant
Sistemleri San. ve Tic. A.S.
Ankara Asfaltı 25.km Köşeböcekler Mevki
Kuyucak Kemalpaşa / İzmir - TÜRKİYE
Phone : +90 232 877 00 22 (pbx)
Fax : +90 232 877 01 11
Mail: info@modutech.com.tr
www.modutech.com.tr

İbrahim BAYIR
Modutech Quality Manager

Our Declaration of Compliance

Modutech offers you wide range
of modular belts with FDA - EU
certificates.



4143 Rider Trail North
Earth City, MO 63045
Phone: 800.727.2358

beltservice.com



MODUTECH