

PBZ

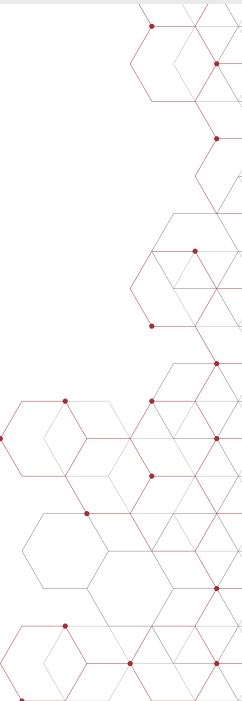


PBH



PBC

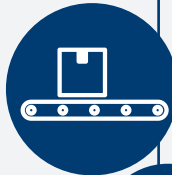
Mid-Heavy Duty gearboxes



SOLUTIONS FOR THE MID-HEAVY DUTY INDUSTRY



MAIN FIELDS OF APPLICATION



conveyor belts

mills



crushers



cooling towers

reciprocating pumps



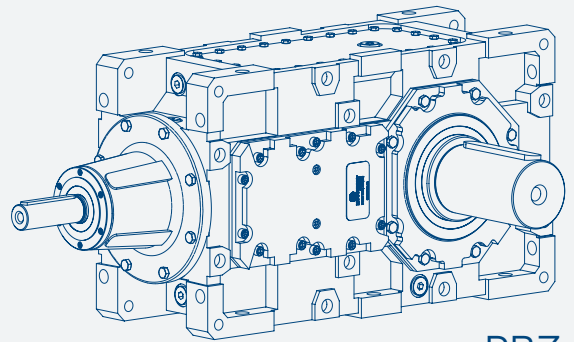
multipliers

palm oil presses

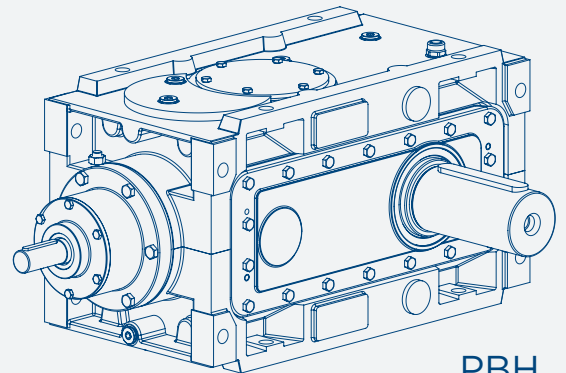


screw conveyors

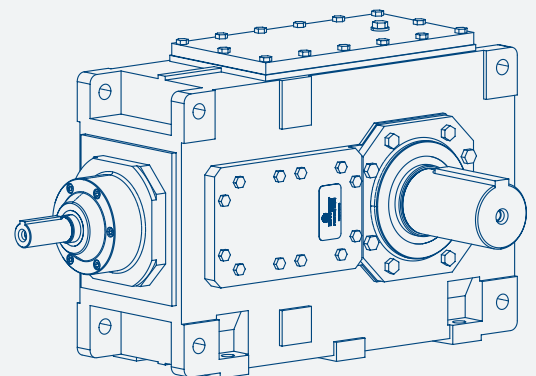
water spilgates



PBZ



PBH



PBC

CONTINUOUS DUTY WITH REDUCED MAINTENANCE COSTS

The Motovario PBZ series consists of parallel helical and bevel-helical gear reducers up to 4 reduction stages, characterised by high power density, compact size, modularity, reliability and a favourable performance/sturdiness ratio.

These industrial gear reducers have been conceived and designed for continuous, critical and particularly arduous applications requiring a high number of accessories, as well as dedicated options for specific fields: PBZ units perfectly meet all these needs, fully satisfying the heavy-duty industry world.



RANGE

	diameter output shaft (mm)	Mn2 (Nm)	ratio i	
			min	max
PZ 179	100	9000	6.37	86.2
PZ 199	110	11000	7.91	107
PZ 219	120	19000	6.28	318
PZ 249	130	24000	7.96	403
PZ 269	140	29000	6.44	339
PZ 279	160	36000	7.96	419
PZ 319	170	55000	6.33	314
PZ 349	180	70000	8.14	404
PZ 399	200	90000	6.62	319
PZ 409	220	110000	8.01	386

	diameter output shaft (mm)	Mn2 (Nm)	ratio i	
			min	max
BZ 179	100	9000	13.3	69.7
BZ 199	110	11000	16.5	86.6
BZ 219	120	19000	12	323
BZ 249	130	24000	15.3	410
BZ 269	140	29000	12.4	348
BZ 279	160	36000	15.3	431
BZ 319	170	55000	12.1	320
BZ 349	180	70000	15.6	412
BZ 399	200	90000	12.7	327
BZ 409	220	110000	15.3	396

FEATURES

- Monobloc casing (up to size 349 included) with high power density.
- Universal mounting for horizontal or vertical mounting.
- Solid output shaft (as standard).
- Motor coupling bell for large-sized IEC motors.

ACCESSORIES

- Cooling systems: fan, internal coil, air/oil and water/oil independent unit.
- Output flange for direct mounting to the machine.
- Special output shafts, reinforced for applications with high radial load.
- Control units complete with base, electric motor, (hydraulic, spring or toothed) joint, parking brake.
- Optional kits dedicated to customer's needs for specific applications.



PBH



MAXIMUM RELIABILITY IN THE MOST ARDUOUS CONDITIONS

The Motovario PBH series consists of parallel helical and bevel-helical gear reducers up to 4 reduction stages, conceived to ensure the maximum reliability under the most arduous conditions such as in case of applications with high inertias, overloads, sudden peaks and significant external loads.

Range features enhance the possibility of a high customisation level, for customised solutions satisfying the specifications of the most demanding users, and meeting the requirements with a high technological content.



RANGE

	diameter output shaft (mm)	Mn2 (Nm)	ratio i	
			min	max
PH 180	100	13000	2.04	605
PH 200	110	18000	1.95	600
PH 225	120	28000	1.96	627
PH 250	130	35000	2.04	636
PH 280	140	49000	1.96	625
PH 355	180	90000	1.95	627

	diameter output shaft (mm)	Mn2 (Nm)	ratio i	
			min	max
BH 180	100	13000	5.27	593
BH 200	110	18000	5.44	632
BH 225	120	28000	5.41	634
BH 250	130	35000	5.44	633
BH 280	140	46000	5.41	623
BH 355	180	80000	5.52	604

FEATURES

- 2-section (split) casing to favour the maintenance operations directly on the system.

- Solid output shaft (as standard).
- High overhung ratings both at input and output shaft ends.

PBC

THE PERFECT CHOICE FOR YOUR SEASONAL APPLICATION

The Motovario PBC series consists of parallel helical and bevel-helical gear reducers up to 4 reduction stages, designed according to a high-modularity and industrialisation logic that allowed a high sharing level of common components thus favouring the competitiveness of these models.

Mainly thanks to design specifications, the PBC series gear reducers are particularly suitable for seasonal applications or intermittent service.



RANGE

	diameter output shaft (mm)	Mn2 (Nm)	ratio i	
			min	max
PC 176	100	9000	1.25	90
PC 196	110	12000	8	112
PC 216	120	17000	1.25	355
PC 246	130	22000	8	450
PC 266	140	29000	1.25	355
PC 276	160	35000	8	450
PC 316	170	50000	1.6	355
PC 346	180	62000	8	450
PC 396	200	73000	1.6	355
PC 406	210	90000	8	450

	diameter output shaft (mm)	Mn2 (Nm)	ratio i	
			min	max
BC 176	100	9000	5	315
BC 196	110	12000	6.3	400
BC 216	120	17000	5	315
BC 246	130	22000	6.3	400
BC 266	140	29000	5	315
BC 276	160	35000	6.3	400
BC 316	170	50000	5	315
BC 346	180	62000	6.3	400
BC 396	200	73000	5	315
BC 406	210	90000	6.3	400

MAIN ACCESSORIES



	PBZ	PBH	PBC
Lubrication device: mechanical pump	●	●	●
Lubrication device: motor pump	●	●	●
Cooling fans	●	●	●
Cooling coil (with or without thermostatic valve)	●	●	●
Oil/air cooling system	●	●	
Oil/water cooling system	●	●	
Filter for forced lubrication	●	●	●
Oil heater	●	●	●
Oil temperature probe and PT100 bearings	●	●	●
Minimum pressure switch	●	●	●
Column oil level indicator		●	
Backstop device	●	●	●
Output shaft with shrink disc	●	●	
Splined output shaft, hollow & solid		●	
Special seals: viton seals on output and input shaft	●	●	●
Special seals: labyrinth seals on output and input shaft	●	●	●
Special seals: double viton seals on output and input shaft	●	●	●
Special seals: double NBR seals on output and input shaft	●	●	●
Special painting C4	●	●	●
Special painting C5	●	●	●
Output flange	●	●	
Output shaft protection	●	●	●
Reaction bolt with Belleville washers		●	
Double outlet input shaft for parallel helical gear reducers	●		●
Double outlet input shaft for bevel-helical gear reducers	●		
Bell & coupling for IEC motor connection	●	●	
Bell & coupling for NEMA motor connection		●	

SALES NETWORK



SUBSIDIARIES



DEALERS



EUROPE



NORTH AMERICA



ASIA



OCEANIA



SOUTH AMERICA



AFRICA

