

# TSUBAKI

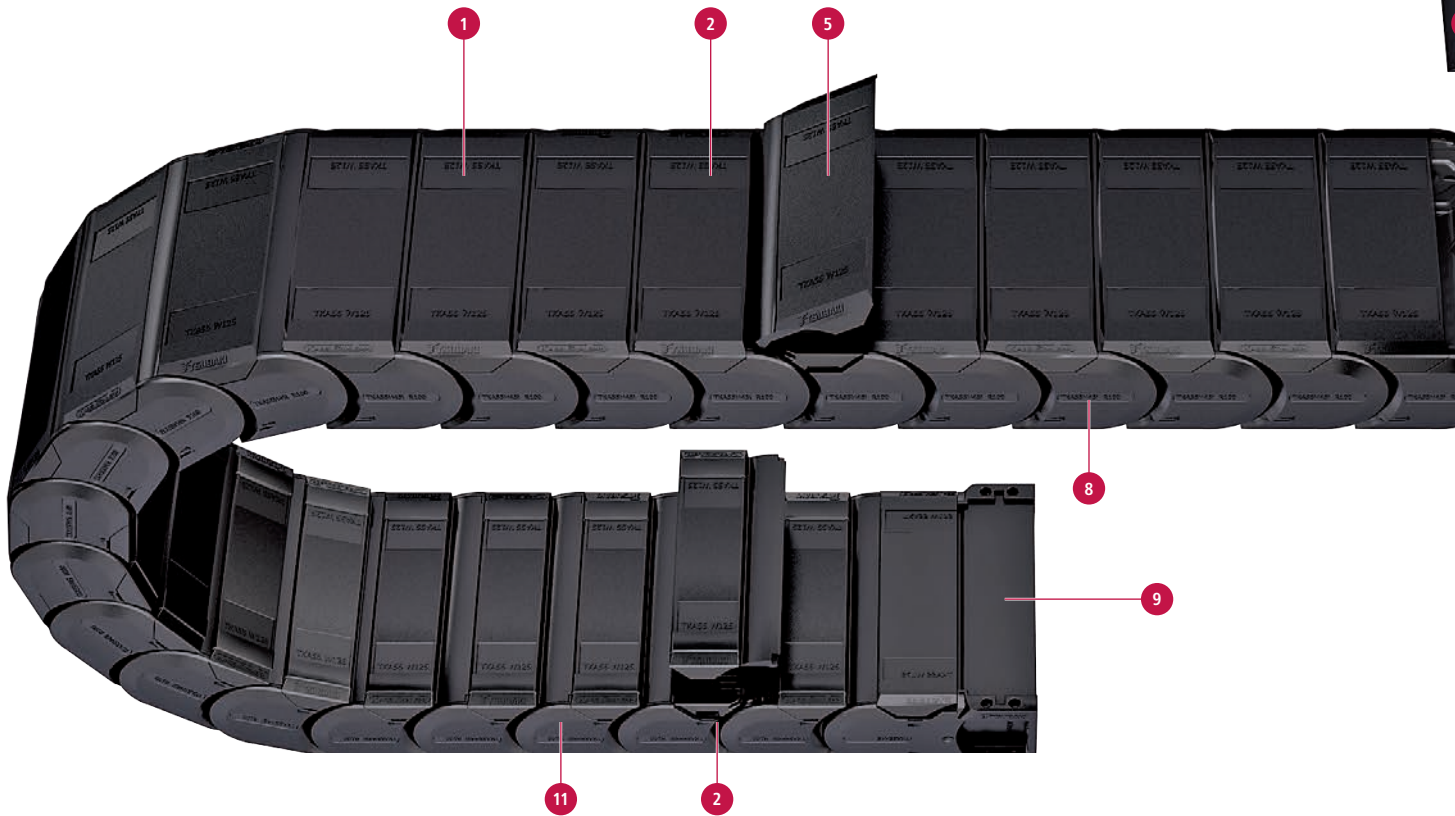
## KABELSCHLEPP



# TKA SERIES

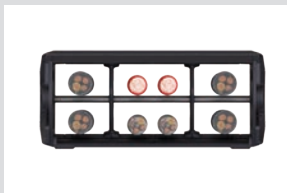
## Chip-Tight Tube Series

# TKA TUBE SERIES



## Features

- Excellent cable protection, even at the brackets
- Chips and dirt-resistant due to smooth surfaces
- Increased self-supporting length
- High torsional rigidity
- Good inside to outer width ratio
- Low internal noise emissions
- Optional: Special material with protection against chips up to 850° C
- Numerous custom material types for custom applications available
- Easy assembly
- Easy cable installation
- Easy-to-open cover with simultaneously high retention force on the chain link during operation
- Measurement scale for easy alignment of the dividers along the cover
- Strain relief can be completely integrated into connecting element
- TKA55: IP54 tested & attested



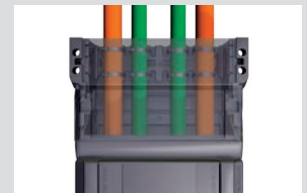
Optimized utilization of the interior space; vertical as well as horizontal subdivision possible



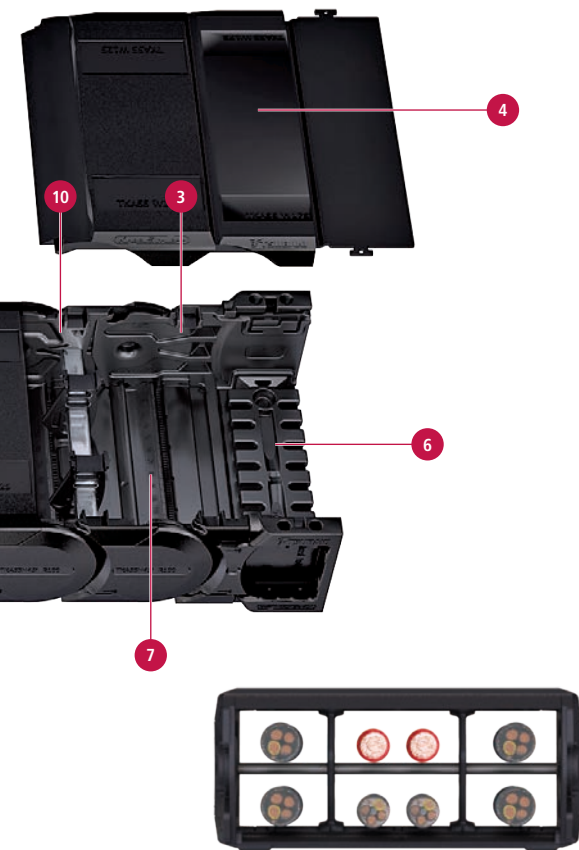
Easy-to-open cover from any vantage point, yet securely fastened



3-fold stroke system for increased self-supporting length



Universal mounting bracket with integrated strain relief elements



Example of cross section

- 1 Secure cover attachment even under severe stresses (e.g. due to hydraulic cables)
- 2 Designs with inward or outward opening covers
- 3 Cable-friendly interior space without sharp edges
- 4 Cover completely detachable on one side
- 5 Quick and easy opening from any vantage point
- 6 Connecting pieces with optional strain relief
- 7 Dividers and horizontal shelves available
- 8 Chain links made of glass fibre-reinforced plastic
- 9 Cover sheet for universal mounting bracket
- 10 Integrated noise damping system
- 11 Pin and bore connection and stroke system covered completely

### Selection criteria for TKA series

- Where a tight cable carrier is a necessity
- Where easy one-sided cover opening from any vantage point is desirable (e.g. for cable inspections)
- Where inside subdivision is desirable
- Where fixed dividers should be available (e.g. for carriers lying on their side)
- Where a long travel gliding cable carrier is required
- Where the maximum carrier load does not exceed 15kg/m

Type	h <sub>i</sub> [mm]	B <sub>i</sub> [mm]	t [mm]	Page
TKA30	20.5	15 – 65	30.5	3
TKA38	26	25 – 130	38.5	11
TKA45	36	50 – 150	45.5	21
TKA55	45	50 – 175	55.5	31

# TKA30



**Pitch**  
30.5 mm



**Height**  
20.5 mm

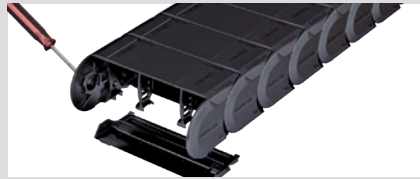


**Width**  
15 – 65 mm

## Stay variants

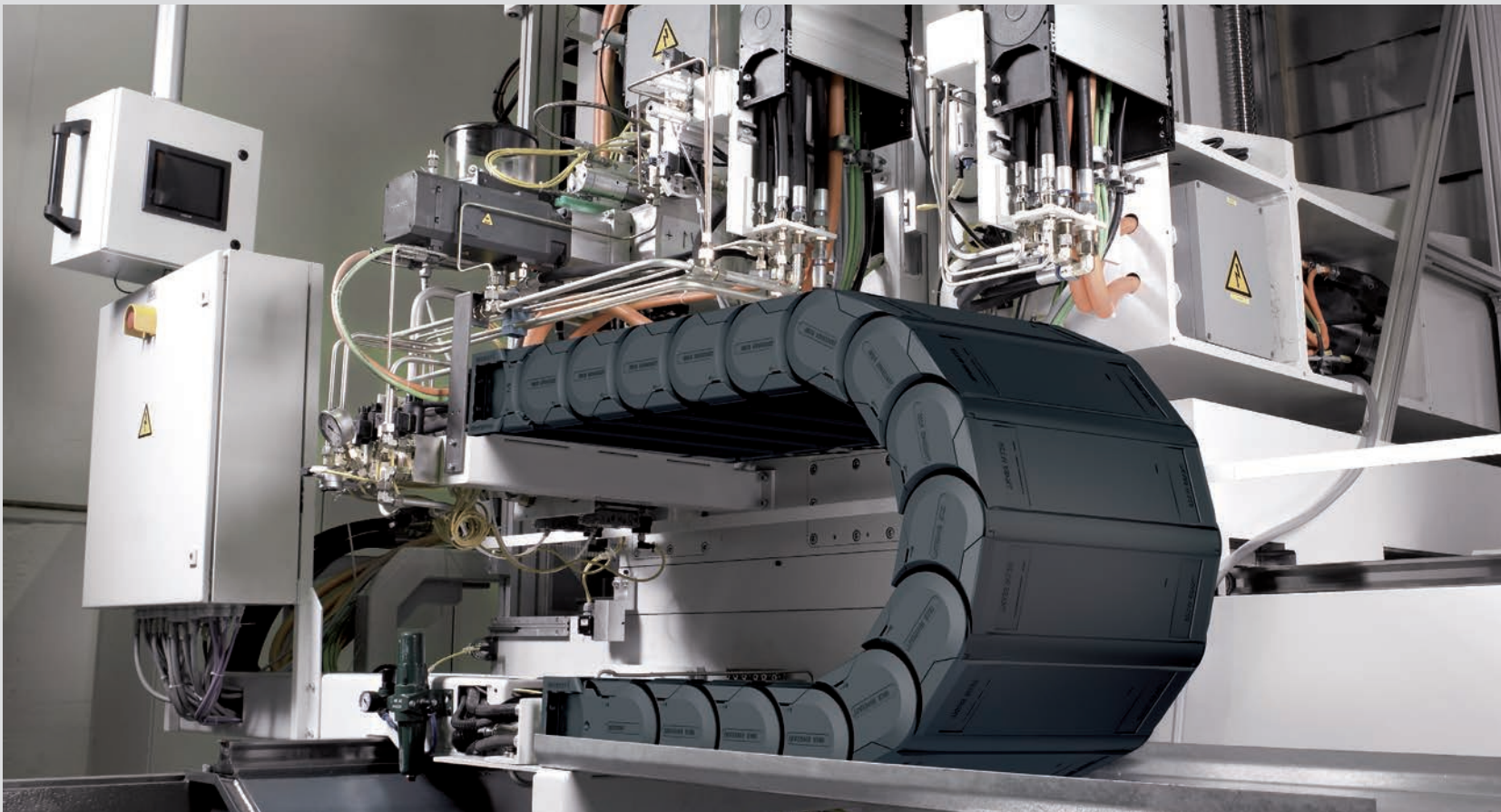
### Stay variant 060

**Inside:** Quick-to-open cover



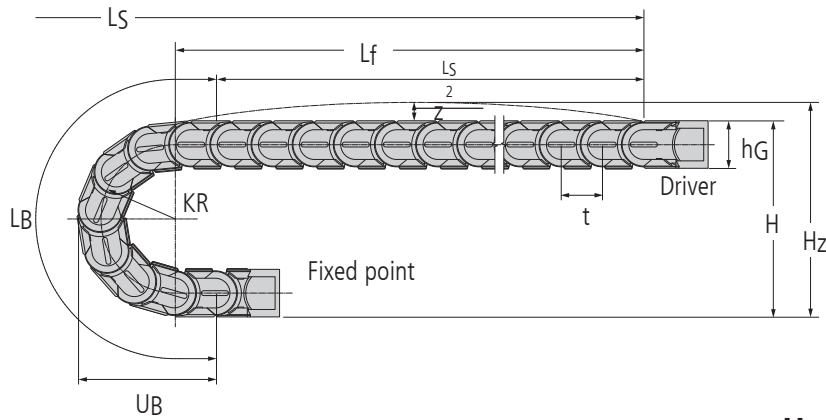
### Stay variant 080

**Outside:** Quick-to-open cover



# TUBE SERIES | TKA30

## Unsupported arrangement

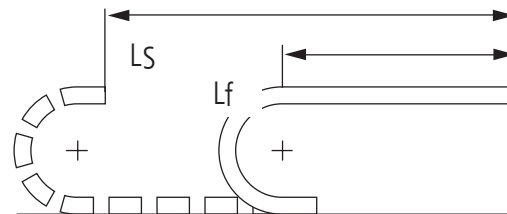


**t = 30.5 mm**  
**z = 17 mm/m**

Inside heights  
20.5

Inside widths  
15  
65

### Unsupported length Lf



A sag of the cable carrier is technically permissible for extended movement ranges, depending on specific application.

### Installation measurements unsupported

KR [mm]	H [mm]	H <sub>z</sub> [mm]	LB [mm]	UB [mm]
55	139	164	234	100
75	179	204	297	120
95	219	244	359	140
125	279	304	454	170
145	319	344	516	190
180	389	414	626	225

**Note:** For order example and notes for ordering, refer to page 40.

## TUBE SERIES | TKA30

### Stay variant 060 –

covered on both sides with detachable covers on the inside

Inside heights

20.5

Inside widths

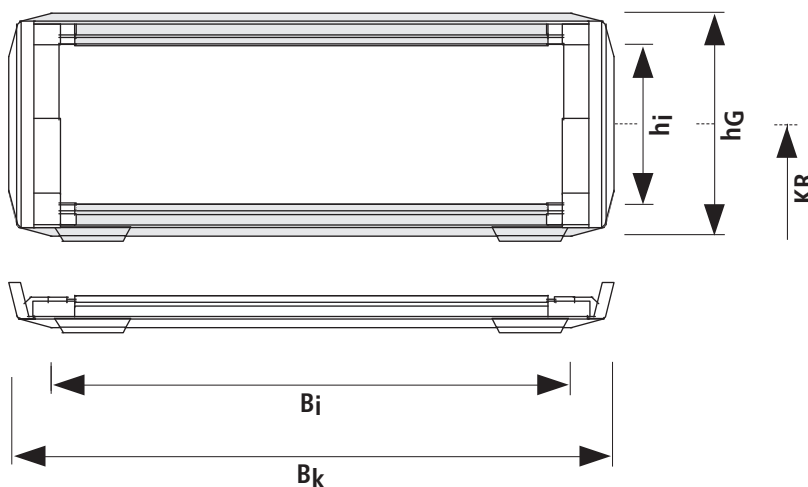
15

65



### Pitch, inside height and chain link height

Type	t [mm]	h <sub>i</sub> [mm]	h <sub>G</sub> [mm]
TKA30.060	30.5	20.5	28.5



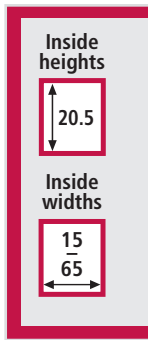
### Inside/outside width and intrinsic chain weight

Type	B <sub>i</sub> [mm]	B <sub>k</sub> [mm]	q <sub>k</sub> [kg/m]
TKA30.060	15	28	0.48
TKA30.060	20	33	0.51
TKA30.060	25	38	0.54
TKA30.060	38	51	0.61
TKA30.060	50	63	0.67
TKA30.060	65	78	0.76

## TUBE SERIES | TKA30

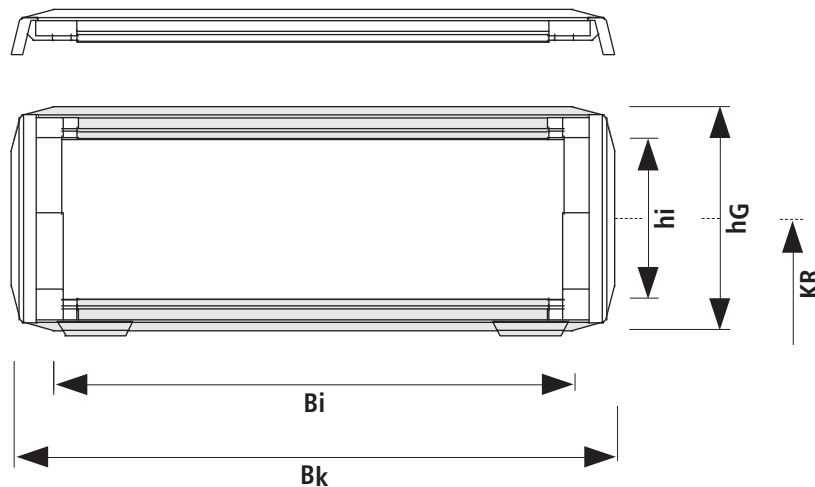
### Stay variant 080 –

covered on both sides with detachable covers on the outside



### Pitch, inside height and chain link height

Type	t [mm]	hi [mm]	hG [mm]
TKA30.080	30.5	20.5	28.5



### Inside/outside width and intrinsic chain weight

Type	Bi [mm]	Bk [mm]	qk [kg/m]
TKA30.080	15	28	0.48
TKA30.080	20	33	0.51
TKA30.080	25	38	0.54
TKA30.080	38	51	0.61
TKA30.080	50	63	0.67
TKA30.080	65	78	0.76

# TUBE SERIES | TKA30

## Divider systems

In the standard version, dividers or the complete divider system (dividers with horizontal shelves instead of height separation) can be moved in the cross section (**Version A**).

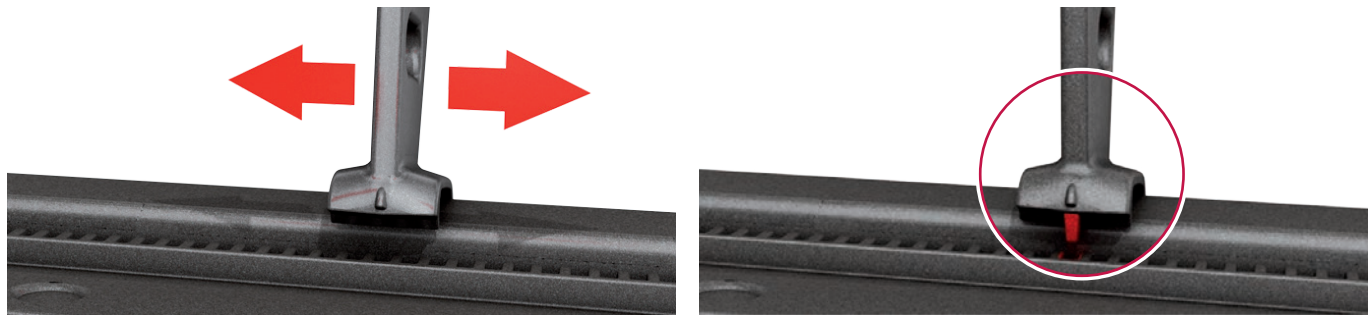
For applications with transverse accelerations and where the carrier is side mounted the dividers can be fixed simply by turning them. This causes the arresting cams to engage in the locking profiles of the covers (**Version B**).

### Moveable divider

Version A (standard)

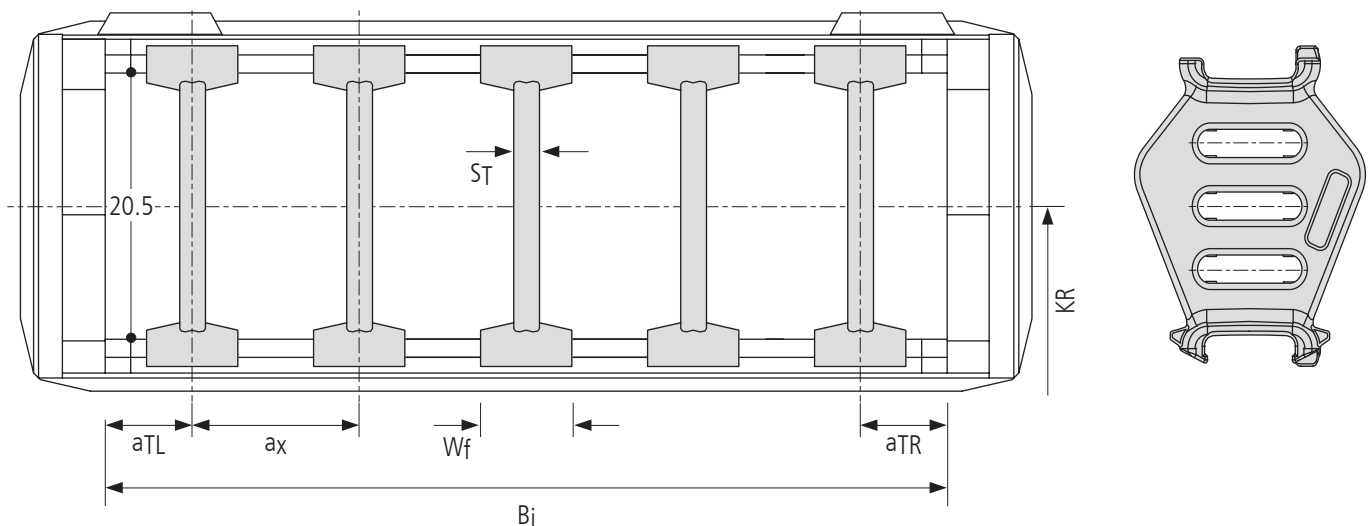
### Fixable divider (2 mm grid)

Version B



## Divider system TS0 without height separation

ST [mm]	Wf [mm]	Version A moveable		Version B fixable		
		aTL/aTR min [mm]	ax min [mm]	aTL/aTR min [mm]	ax min [mm]	ax grid [mm]
2	7	3.5	7	3.5	8	2



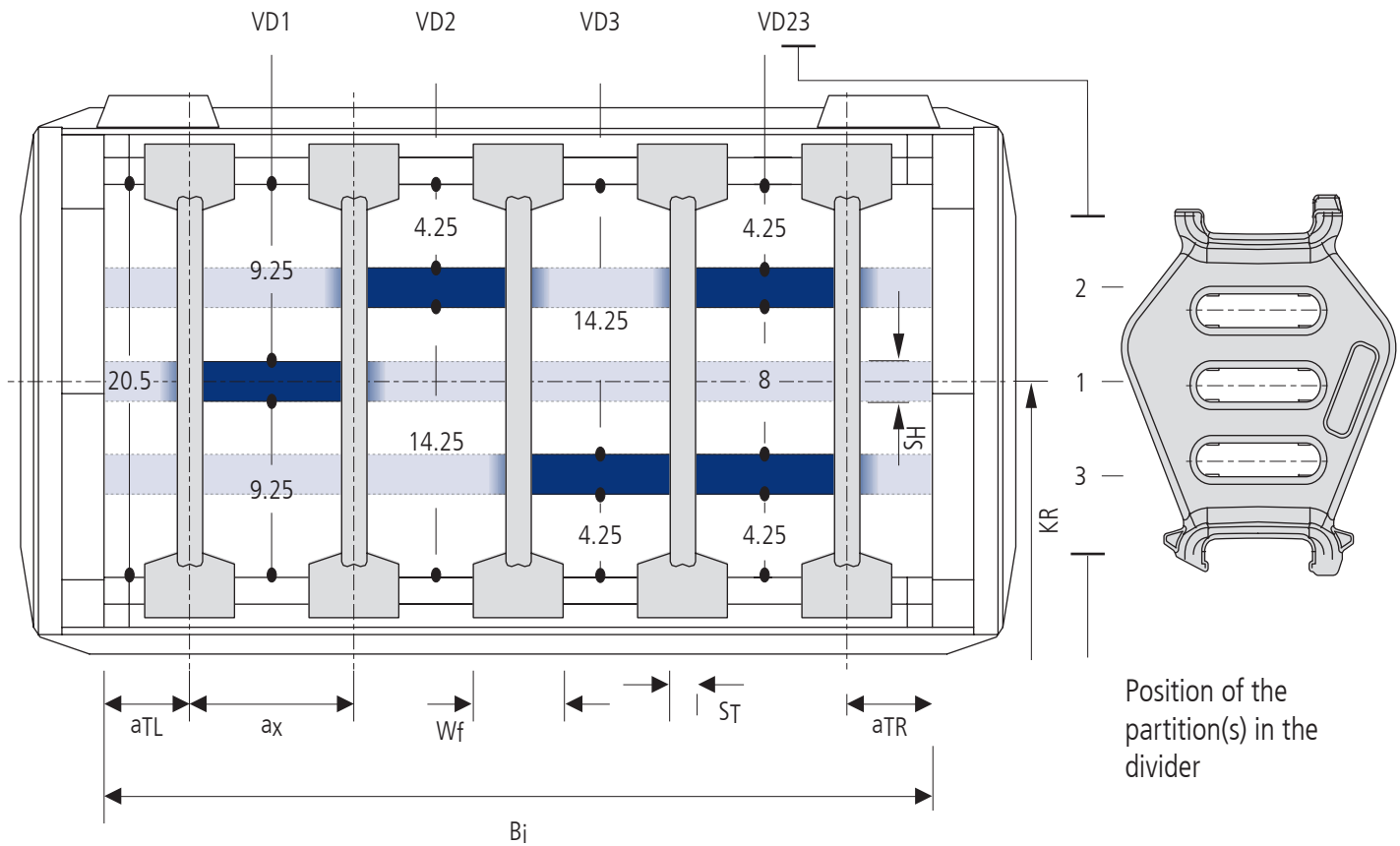


TUBE SERIES | **TKA30**

Divider system **TS1** with continuous height separation made of aluminum

Inside heights  
 20.5  
 Inside widths  
 15  
 65

ST [mm]	Wf [mm]	SH [mm]	aTL/aTR max [mm]	Version A moveable		Version B fixable		
				aTL/aTR min [mm]	ax min [mm]	aTL/aTR min [mm]	ax min [mm]	ax grid [mm]
2	7	2	20	3.5	7	3.5	8	2



**Note:** For order example and notes for ordering, refer to page 40.

# TUBE SERIES | TKA30

## Universal mounting brackets (UMB)

The universal mounting brackets (UMB) are made from plastic and can **be mounted from above, below or at the front.**

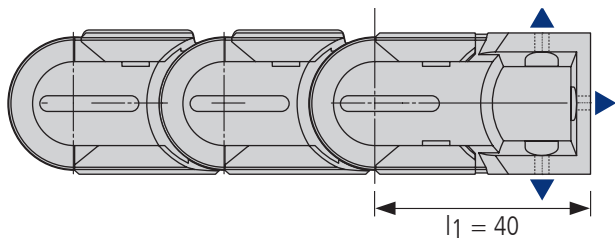
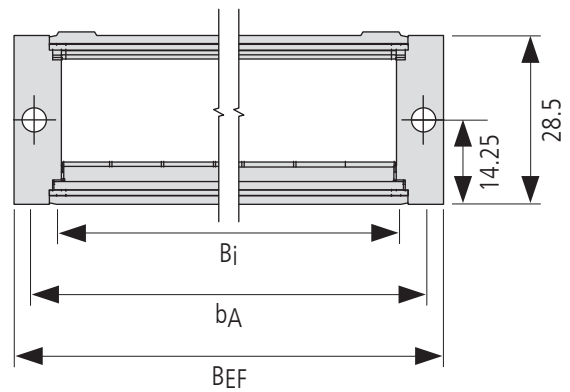
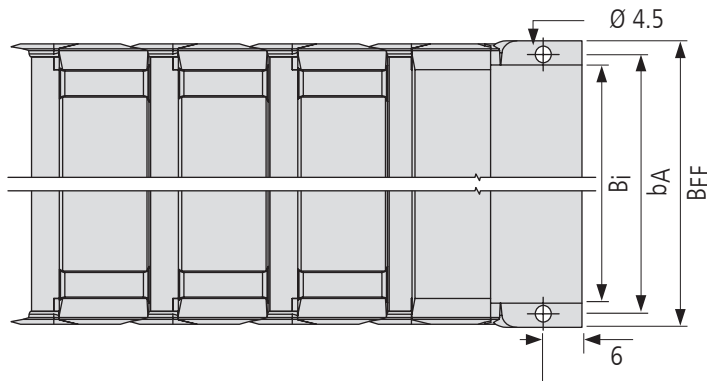
Inside heights

20.5

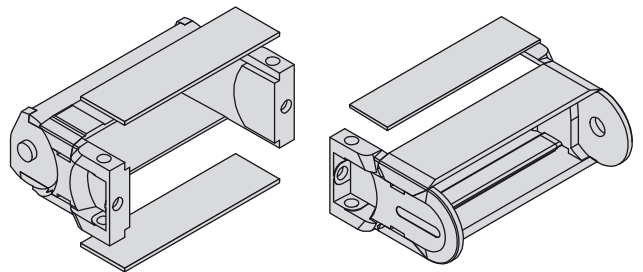
Inside widths

15

65



▲ Assembly options

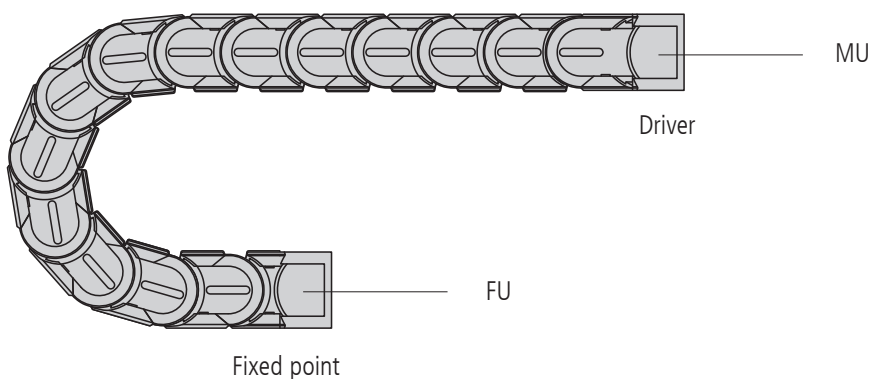


**Note:** The connecting elements are also available as an option **without** cover plate. Please state when ordering.

### Connection dimensions

$B_i$ [mm]	$b_A$ [mm]	$B_{EF}$ [mm]
15	24	31
20	29	36
25	34	41
38	47	54
50	59	66
65	74	81

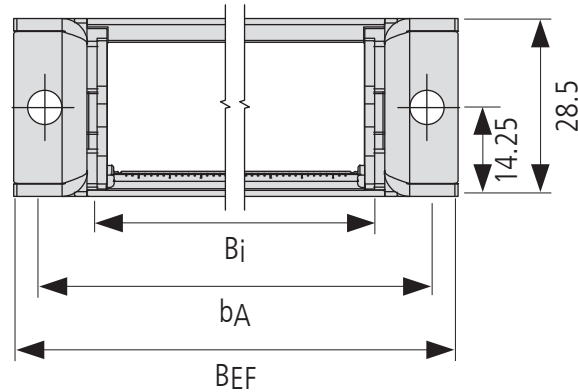
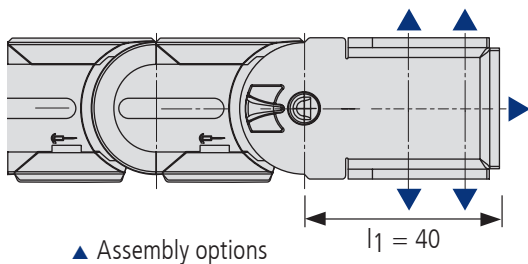
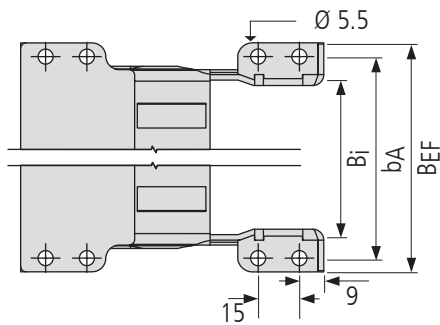
**Note:** The connection dimensions for fixed point and driver are identical. When ordering, please specify the connection type (see order key on page 40).



## TUBE SERIES | TKA30

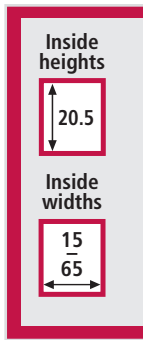
### Universal mounting brackets St (UMB)

The universal mounting brackets (UMB) are made from zinc plated steel and can **be mounted from above, below or at the front.**



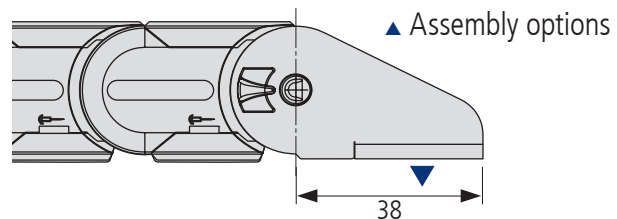
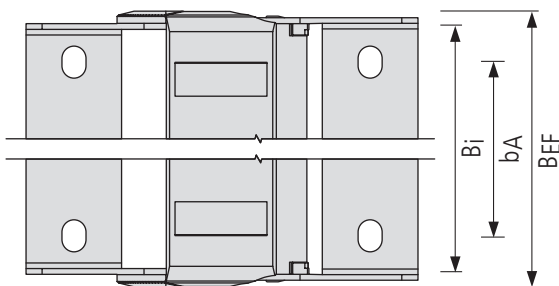
**i** The connection dimensions for fixed point and driver are identical. When ordering, please specify the connection type (see order key on page 40).

**i Note:** The connecting elements are also available as an option **with** cover plate. Please state when ordering.



### Connecting elements St

The connecting elements are made from zinc plated steel. Depending on the application the connection type (**above or below**) can be altered simply by turning them.



### Connection dimensions

Bi [mm]	St (UMB)			St	
	bA [mm]	BEF [mm]		bA [mm]	BEF [mm]
15	35	45		1	28
20	40	50		6	33
25	45	55		11	38
38	58	68		24	51
50	70	80		36	63
65	85	95		51	78

**i Note:** Connecting elements St (UMB) and St provide the same connecting dimensions as the previous model UNIFLEX 060. Order: Please contact us. We will willingly advise you.

# TKA38



**Pitch**  
38.5 mm



**Height**  
26 mm

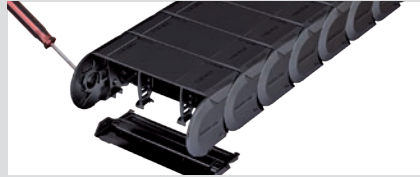


**Width**  
25 – 130 mm

## Stay variants

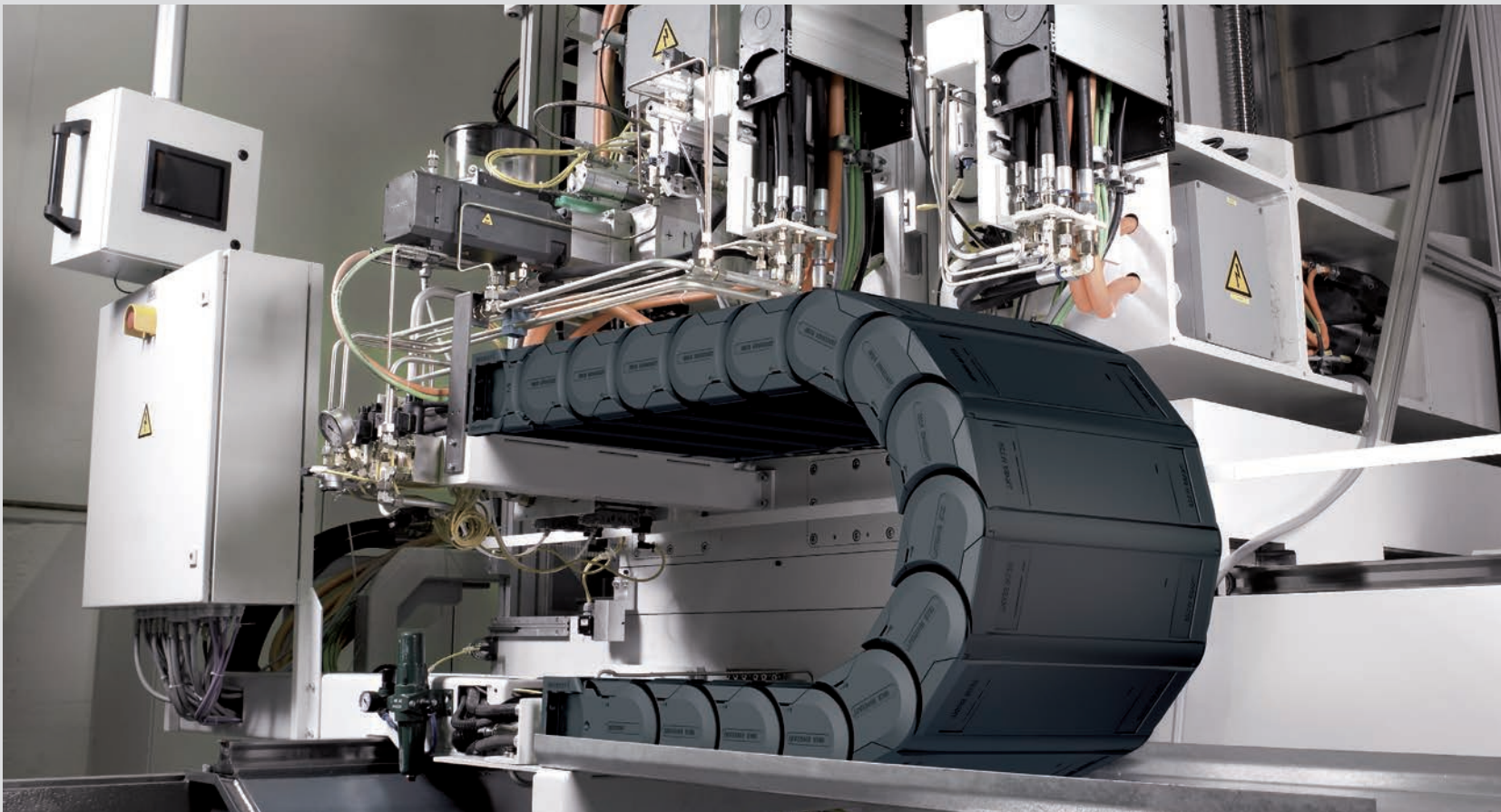
### Stay variant 060

**Inside:** Quick-to-open cover



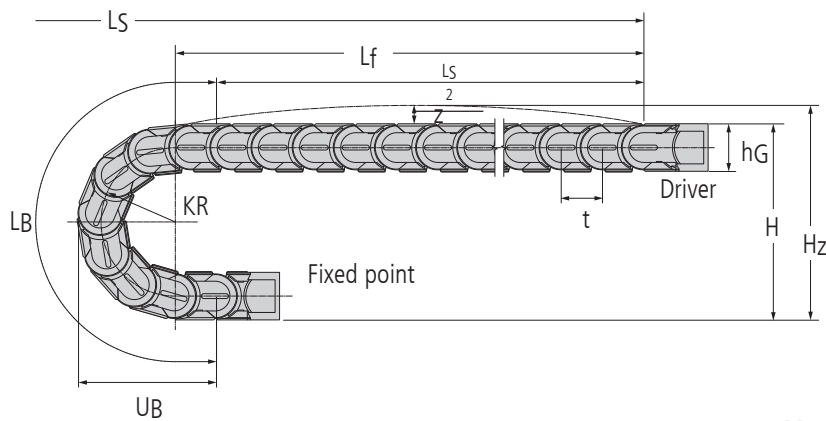
### Stay variant 080

**Outside:** Quick-to-open cover

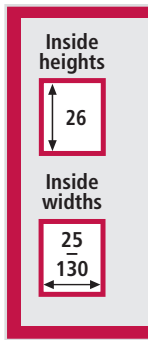


TUBE SERIES | **TKA38**

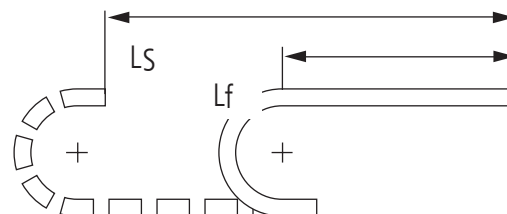
**Unsupported arrangement**



**t = 38.5 mm**  
**z = 17 mm/m**



**Unsupported length Lf**



A sag of the cable carrier is technically permissible for extended movement ranges, depending on specific application.

**Installation measurements unsupported**

KR [mm]	H [mm]	Hz [mm]	LB [mm]	UB [mm]
70	176	201	297	127
95	226	251	375	152
120	276	301	454	177
145	326	351	532	202
170	376	401	611	227
195	426	451	689	252
230	496	521	799	287

**Note:** For order example and notes for ordering, refer to page 40.

## TUBE SERIES | TKA38

### Stay variant 060 –

covered on both sides with detachable covers on the inside

Inside heights

26

Inside widths

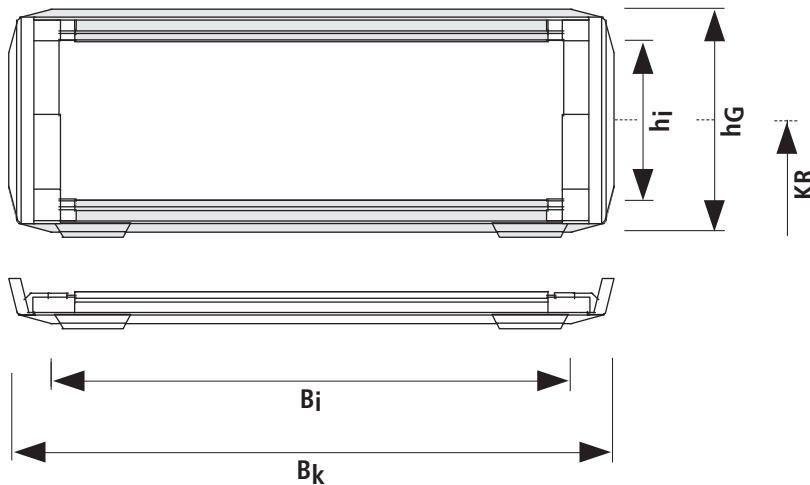
25

130



### Pitch, inside height and chain link height

Type	t [mm]	h <sub>i</sub> [mm]	h <sub>G</sub> [mm]
TKA38.060	38.5	26	36



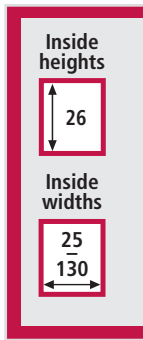
### Inside/outside width and intrinsic chain weight

Type	B <sub>i</sub> [mm]	B <sub>k</sub> [mm]	q <sub>k</sub> [kg/m]
TKA38.060	25	41	0.77
TKA38.060	38	54	0.86
TKA38.060	58	74	1.00
TKA38.060	78	94	1.13
TKA38.060	103	119	1.29
TKA38.060	130	143	1.47

# TUBE SERIES | TKA38

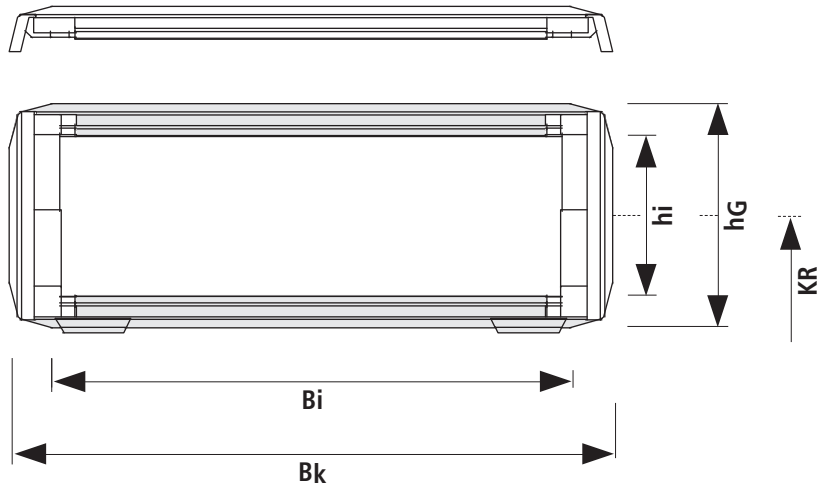
## Stay variant 080 –

covered on both sides with detachable covers on the outside



### Pitch, inside height and chain link height

Type	t [mm]	hi [mm]	hG [mm]
TKA38.080	38.5	26	36



### Inside/outside width and intrinsic chain weight

Type	Bi [mm]	Bk [mm]	qk [kg/m]
TKA38.080	25	41	0.77
TKA38.080	38	54	0.86
TKA38.080	58	74	1.00
TKA38.080	78	94	1.13
TKA38.080	103	119	1.29
TKA38.080	130	143	1.47

# TUBE SERIES | TKA38

Inside heights

26

Inside widths

25

130

## Divider systems

In the standard version, dividers or the complete divider system (dividers with horizontal shelves instead of height separation) can be moved in the cross section (**Version A**).

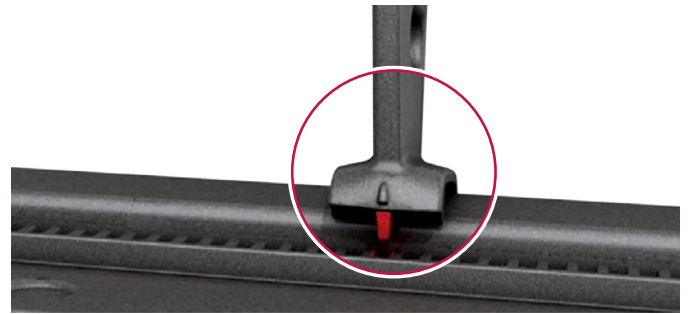
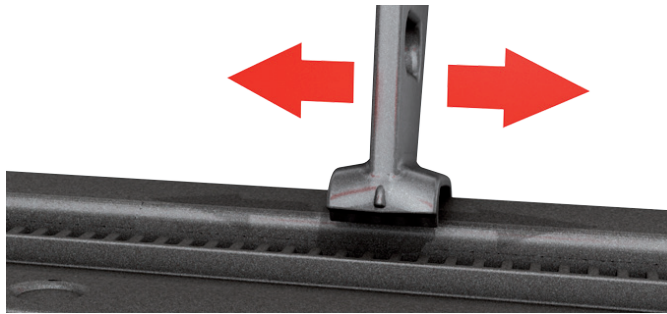
For applications with transverse accelerations and where the carrier is side mounted the dividers can be fixed simply by turning them. This causes the arresting cams to engage in the locking profiles of the covers (**Version B**).

### Moveable divider

Version A (standard)

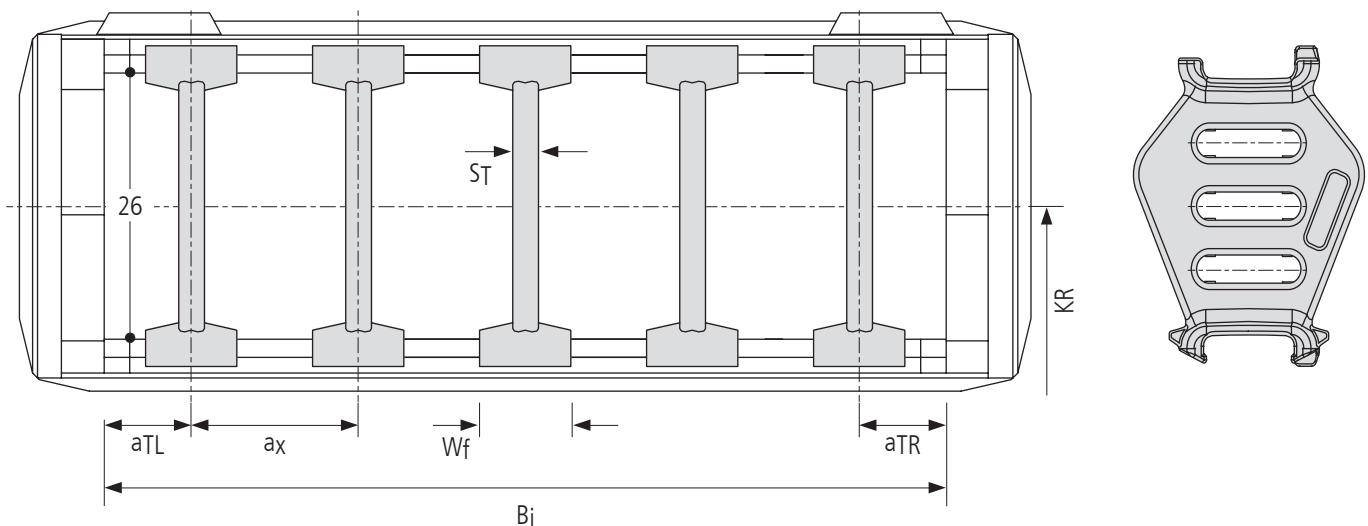
### Fixable divider (2 mm grid)

Version B



## Divider system TS0 without height separation

ST [mm]	Wf [mm]	Version A moveable		Version B fixable		
		aTL/aTR min [mm]	ax min [mm]	aTL/aTR min [mm]	ax min [mm]	ax grid [mm]
2	7	3.5	7	3.5	8	2





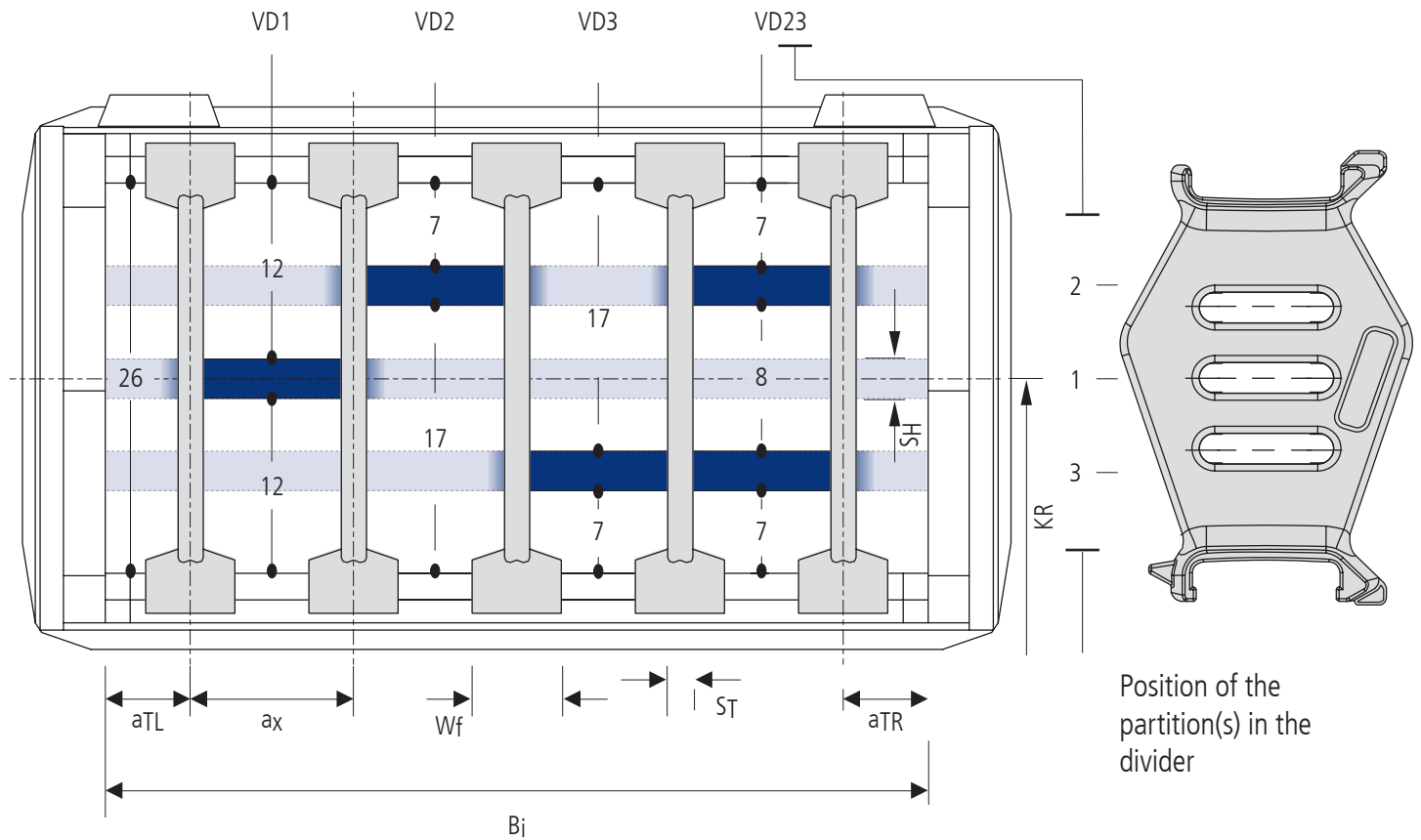
# TUBE SERIES | TKA38

Divider system TS1 with continuous height separation made of aluminum

Inside heights  
26

Inside widths  
25  
130

ST [mm]	Wf [mm]	SH [mm]	aTL/aTR max [mm]	Version A moveable		Version B fixable		
				aTL/aTR min [mm]	ax min [mm]	aTL/aTR min [mm]	ax min [mm]	ax grid [mm]
2.0	7	2	20	3.5	7	3.5	8	2



**Note:** For order example and notes for ordering, refer to page 40.

# TUBE SERIES | TKA38

## Universal mounting brackets (UMB)

The universal mounting brackets (UMB) are made from plastic and can be mounted from above, below or at the front.

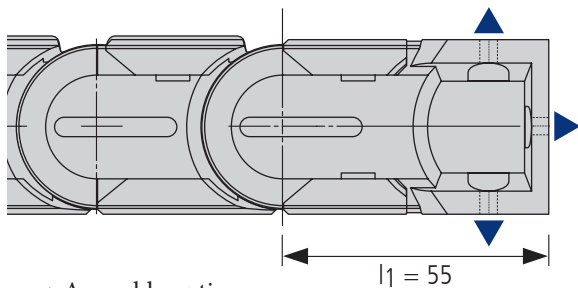
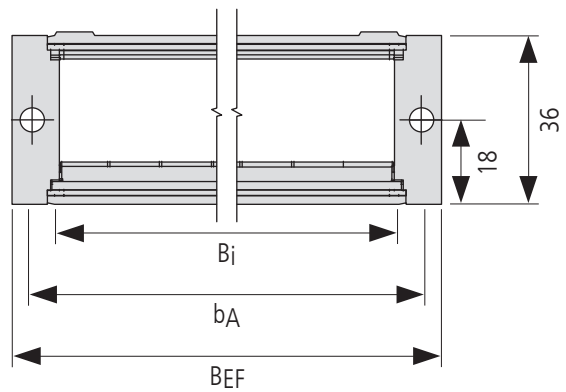
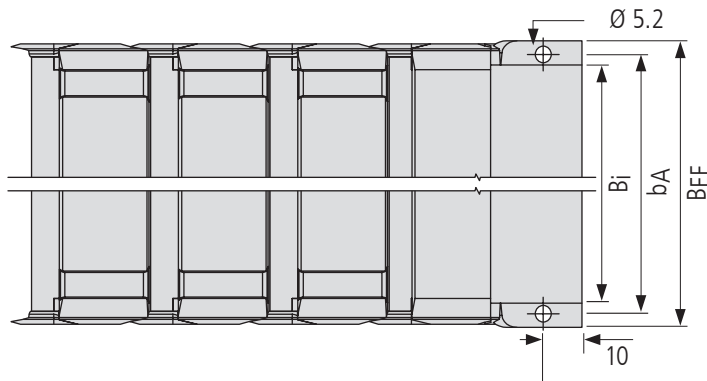
Inside heights

26

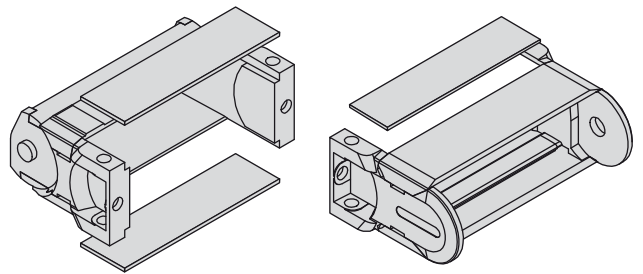
Inside widths

25

130



▲ Assembly options

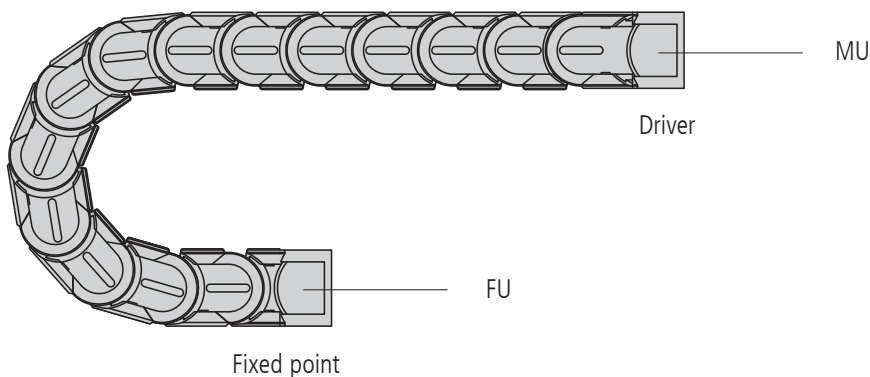


**Note:** The connecting elements are also available as an option **without** cover plate. Please state when ordering.

### Connection dimensions

$B_i$ [mm]	$b_A$ [mm]	$B_{EF}$ [mm]
25	34.5	43
38	47.5	56
58	67.5	76
78	87.5	96
103	112.5	121
130	139.5	148

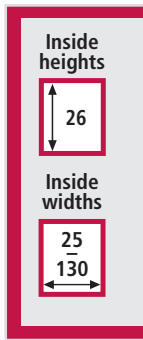
**Note:** The connection dimensions for fixed point and driver are identical. When ordering, please specify the connection type (see order key on page 40).



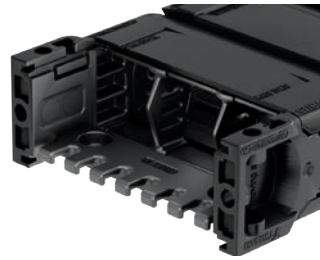
## TUBE SERIES | TKA38

### Plastic strain relief combs on one side

The **optional strain relief combs** allow quick and safe securing of the cables. The strain relief combs are mounted between the UMB brackets, and don't require separate screw connections or mounting on a C-rail. **When ordering, please state if strain relief combs are required.**



B <sub>i</sub> [mm]	n <sub>z</sub>
25	2
38	3
58	5
78	7
103	9
130	13



UMB connection piece with optional strain relief comb



Fixing in the UMB

n<sub>z</sub> = Number of teeth on one side of the comb

# TUBE SERIES | TKA38

## Universal mounting brackets St (UMB)

The universal mounting brackets (UMB) are made from zinc plated steel and can **be mounted from above, from below or at the front.**

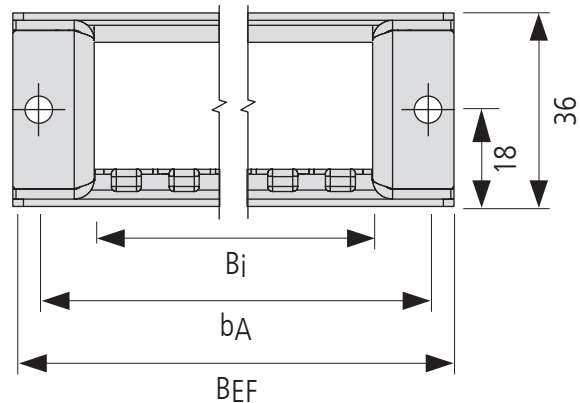
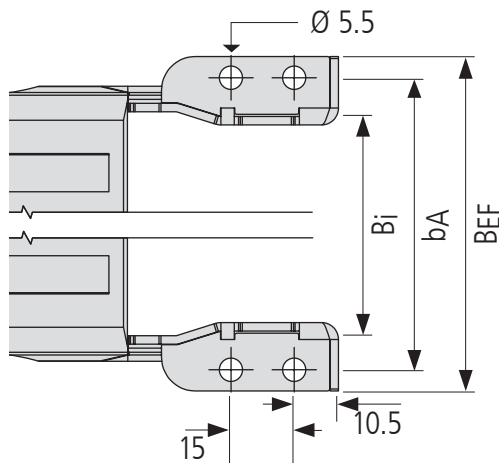
Inside heights

26

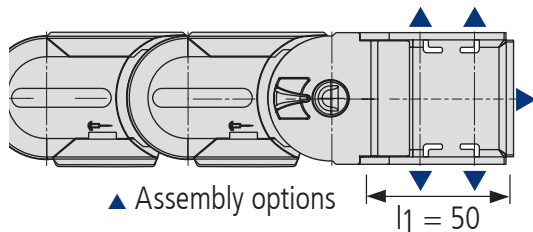
Inside widths

25

130



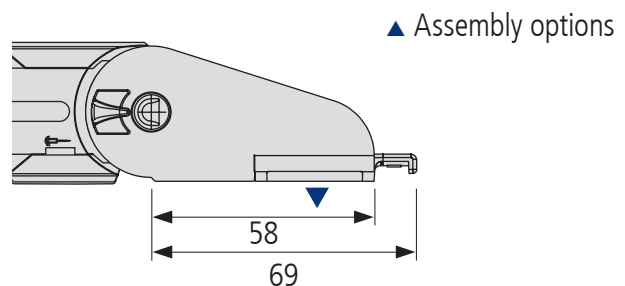
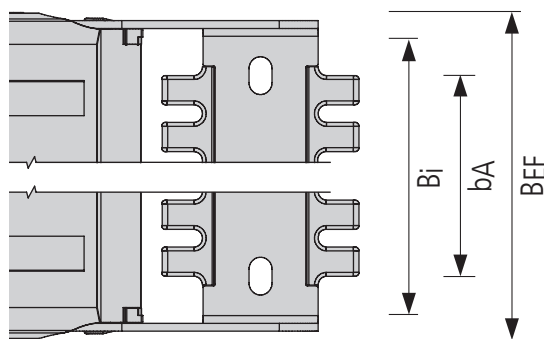
The connection dimensions for fixed point and driver are identical. When ordering, please specify the connection type (see order key on page 40).



**Note:** The connecting elements are also available as an option **with** cover plate. Please state when ordering.

## Connecting elements St

The connecting elements are made from zinc plated steel. Depending on the application the connection type (**above or below**) can be altered simply by turning them.



The connecting elements St are delivered as standard with strain relief comb made from plastic.

## Connection dimensions

St (UMB)					St				
Bi	bA	BEF	bA	BEF	Bi	bA	BEF	bA	BEF
[mm]	[mm]	[mm]	[mm]	[mm]	[mm]	[mm]	[mm]	[mm]	[mm]
25	45	55	11.5	42	78	98	108	63.5	94
38	58	68	23.5	54	103	123	133	88.5	119
58	78	88	43.5	74	130	150	160	115.5	146

**Note:** Connecting elements St (UMB) and St provide the same connecting dimensions as the previous model UNIFLEX 060. Order: Please contact us. We will willingly advise you.



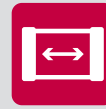
# TKA45



Pitch  
45.5 mm



Height  
36 mm

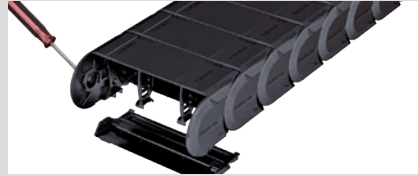


Width  
50 – 150 mm

## Stay variants

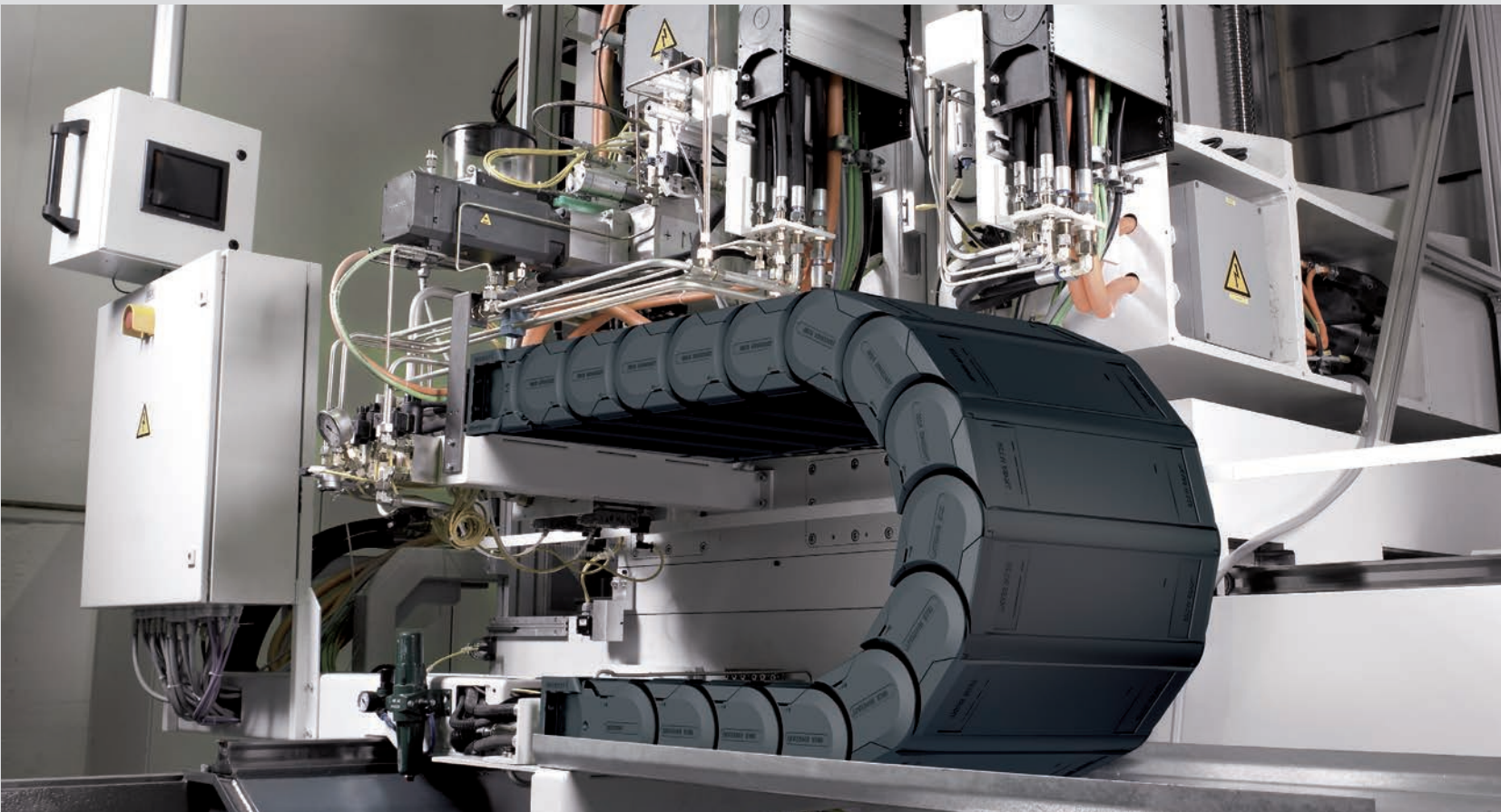
### Stay variant 060

Inside: Quick-to-open cover



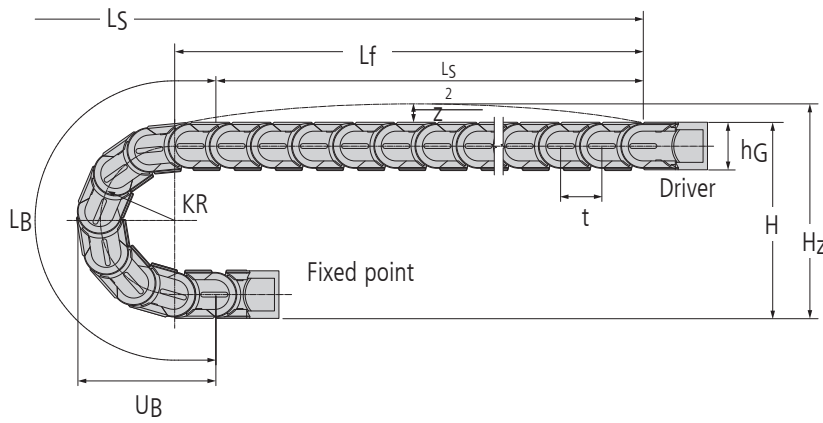
### Stay variant 080

Outside: Quick-to-open cover

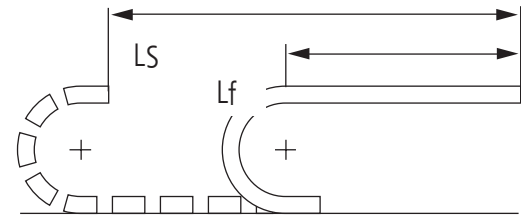


# TUBE SERIES | TKA45

## Unsupported arrangement



### Unsupported length Lf



Inside heights

36

Inside widths

50  
150

A sag of the cable carrier is technically permissible for extended movement ranges, depending on specific application.

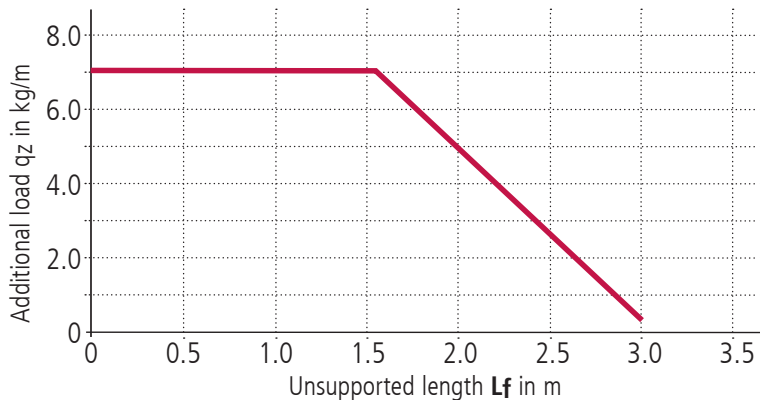
LS max. [m]	Dynamics				t [mm]	z [mm/m]
	vmax [m/s]		amax [m/s]			
	unsupported	gliding	unsupported	gliding		
125	9	3	45	20	45.5	17

### Installation measurements unsupported

KR [mm]	H [mm]	H <sub>z</sub> [mm]	LB [mm]	UB [mm]
82	214	249	348	153
95	240	275	389	166
125	300	335	483	196
145	340	375	546	216
170	390	425	625	
200	450	485	719	271
230	520	555	814	301

### Load diagram

for unsupported length Lf depending on the additional load



### Calculation of the chain length

#### Chain length Lk

$$L_k = \frac{L_s}{2} + L_B$$

Chain length L<sub>k</sub> rounded off to pitch t

#### Unsupported length Lf

$$L_f = \frac{L_s}{2} - t$$

## TUBE SERIES | TKA45

### Stay variant 060 –

covered on both sides with detachable covers on the inside

Inside heights

36

Inside widths

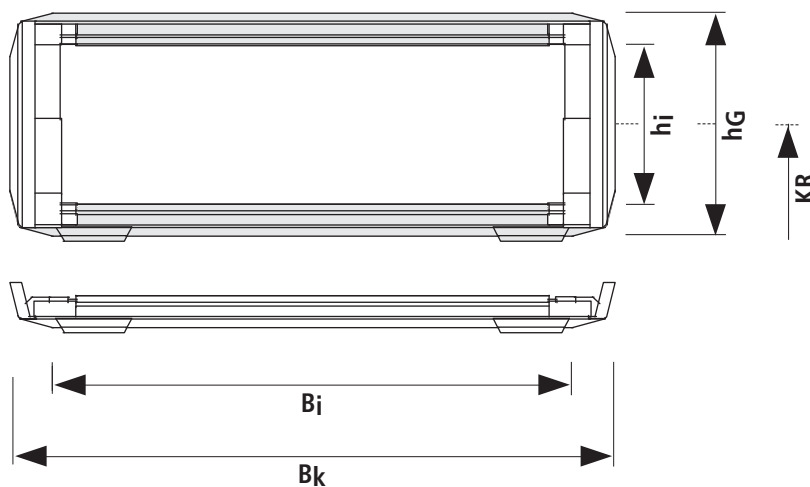
50

150



### Pitch, inside height and chain link height

Type	t [mm]	h <sub>i</sub> [mm]	h <sub>G</sub> [mm]
TKA45.060	45.5	36	50



### Inside/outside width and intrinsic chain weight

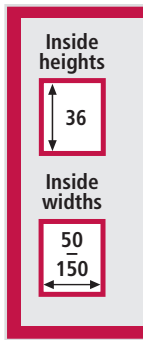
Type	B <sub>i</sub> [mm]	B <sub>k</sub> [mm]	q <sub>k</sub> [kg/m]
TKA45.060	50	66	1.34
TKA45.060	75	91	1.56
TKA45.060	100	116	1.75
TKA45.060	125	141	2.05
TKA45.060	150	166	2.29



# TUBE SERIES | TKA45

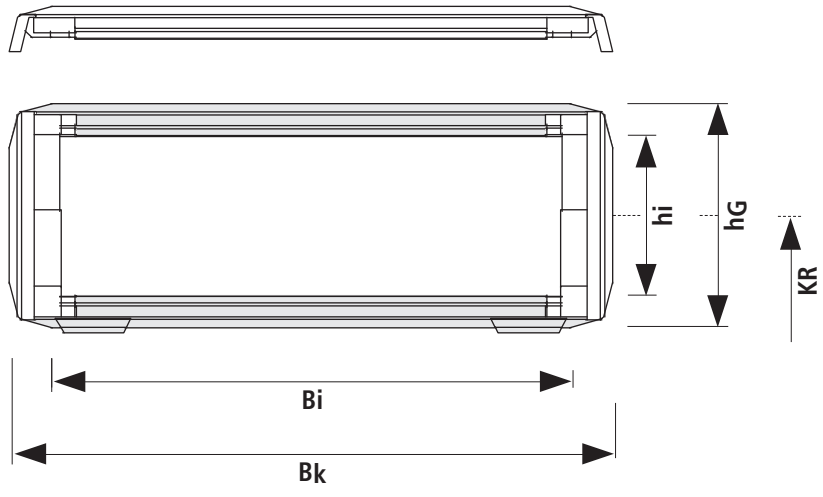
## Stay variant 080 –

covered on both sides with detachable covers on the outside



### Pitch, inside height and chain link height

Type	t [mm]	hi [mm]	hG [mm]
TKA45.080	45.5	36	50



### Inside/outside width and intrinsic chain weight

Type	Bi [mm]	Bk [mm]	qk [kg/m]
TKA45.080	50	66	1.34
TKA45.080	75	91	1.56
TKA45.080	100	116	1.75
TKA45.080	125	141	2.05
TKA45.080	150	166	2.29

# TUBE SERIES | TKA45

## Divider systems

In the standard version, dividers or the complete divider system (dividers with horizontal shelves instead of height separation) can be moved in the cross section (**Version A**).

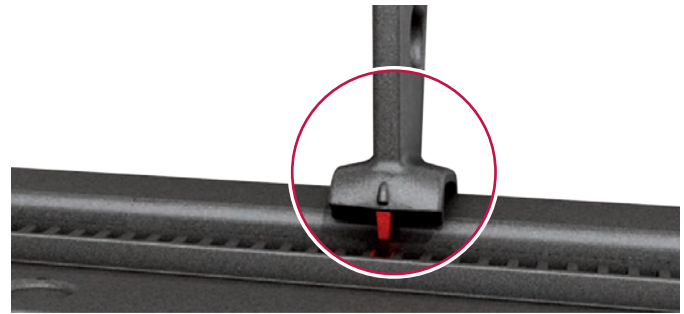
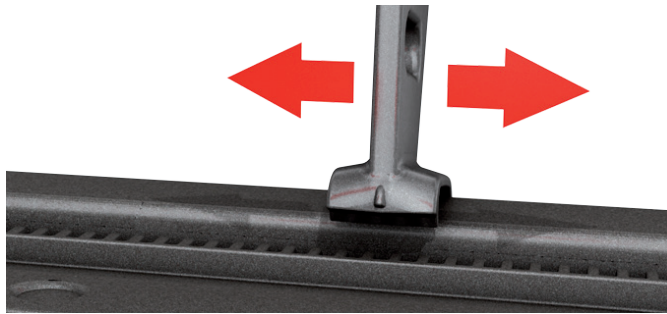
For applications with transverse accelerations and where the carrier is side mounted the dividers can be fixed simply by turning them. This causes the arresting cams to engage in the locking profiles of the covers (**Version B**).

### Moveable divider

Version A (standard)

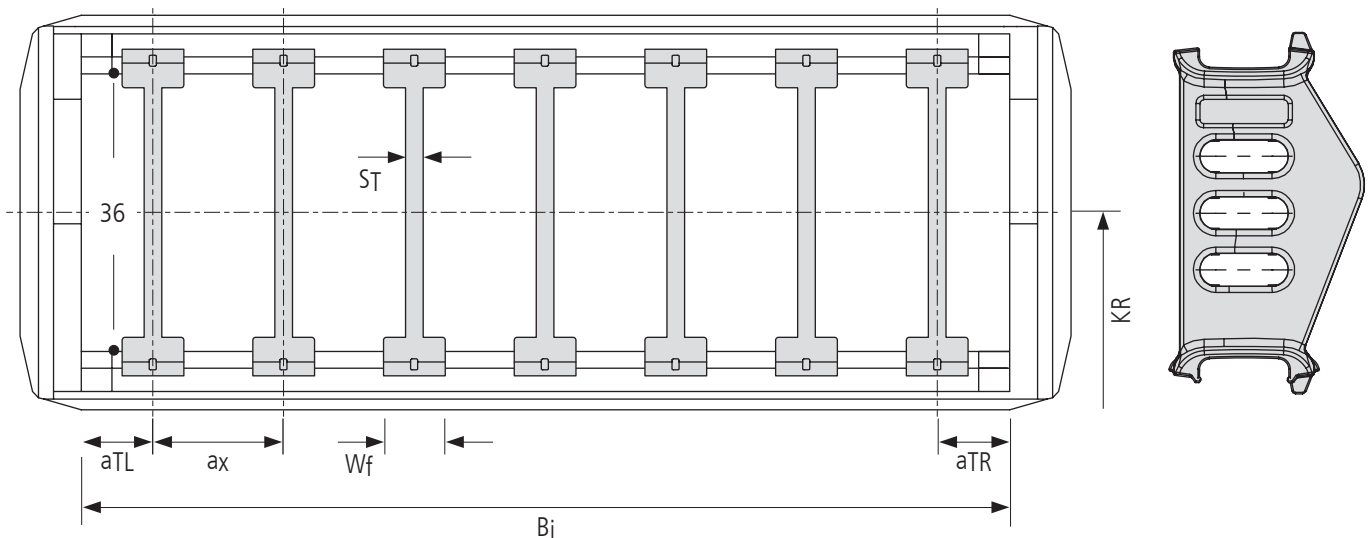
### Fixable divider (2 mm grid)

Version B



## Divider system TSO without height separation

ST [mm]	Wf [mm]	Version A moveable		Version B fixable		
		aTL/aTR min [mm]	ax min [mm]	aTL/aTR min [mm]	ax min [mm]	ax grid [mm]
2.5	8	4	8	12	8	2



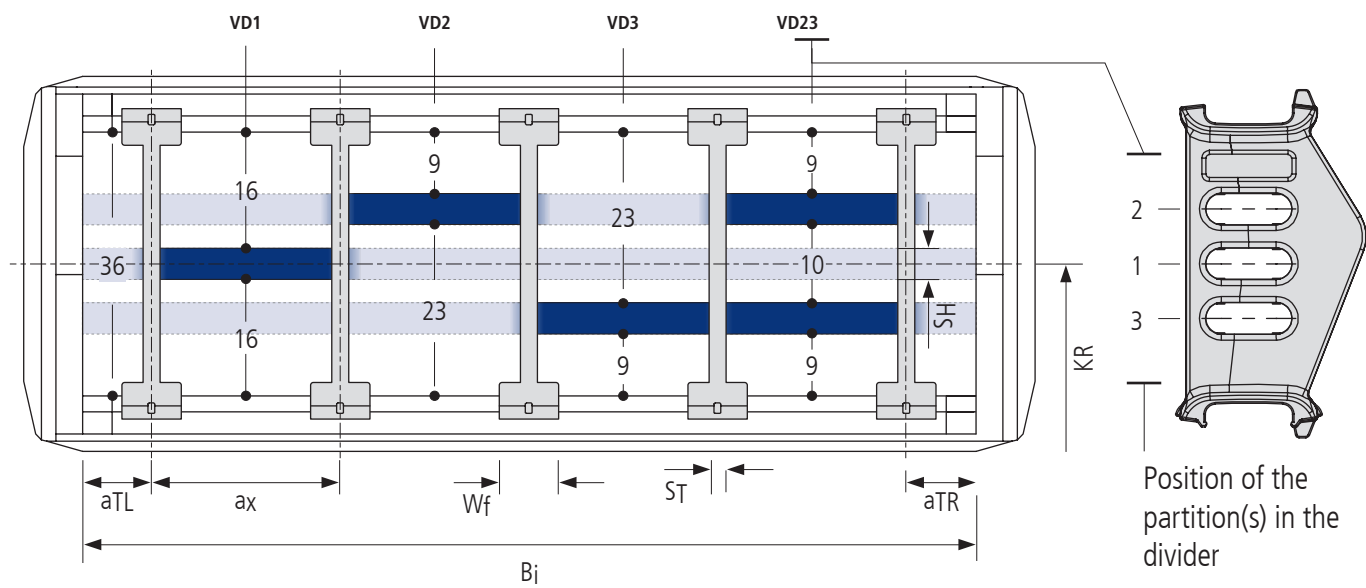
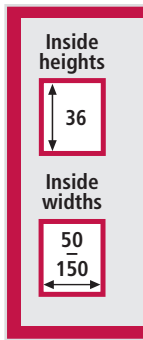
Inside heights  
36

Inside widths  
50  
150

# TUBE SERIES | TKA45

Divider system TS1 with continuous height separation made of aluminum

ST [mm]	Wf [mm]	SH [mm]	aTL/aTR max [mm]	Version A moveable		Version B fixable		
				aTL/aTR min [mm]	ax min [mm]	aTL/aTR min [mm]	ax min [mm]	ax grid [mm]
2.5	8	4	40	4	8	12	8	2



**Note:** For order example and notes for ordering, refer to page 40.

# TUBE SERIES | TKA45

## Universal mounting brackets (UMB)

The universal mounting brackets (UMB) are made from plastic and can **be mounted from above, below or at the front.**

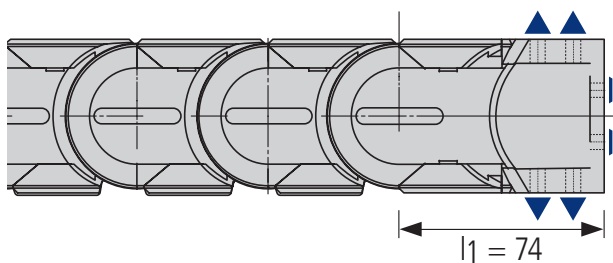
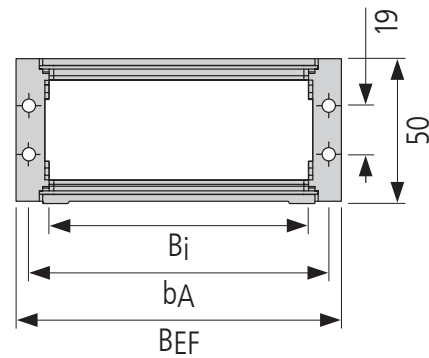
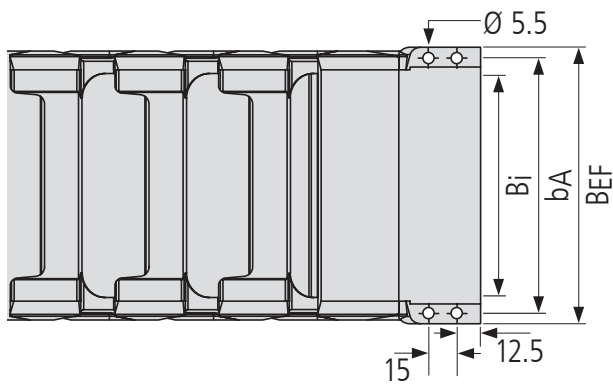
Inside heights

36

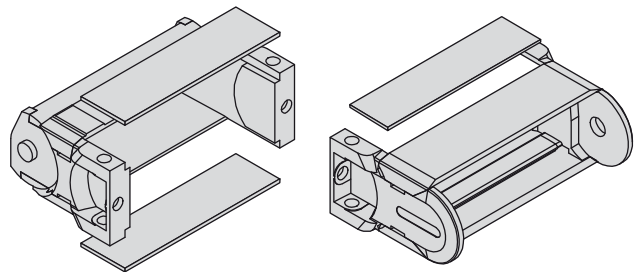
Inside widths

50

150



▲ Assembly options

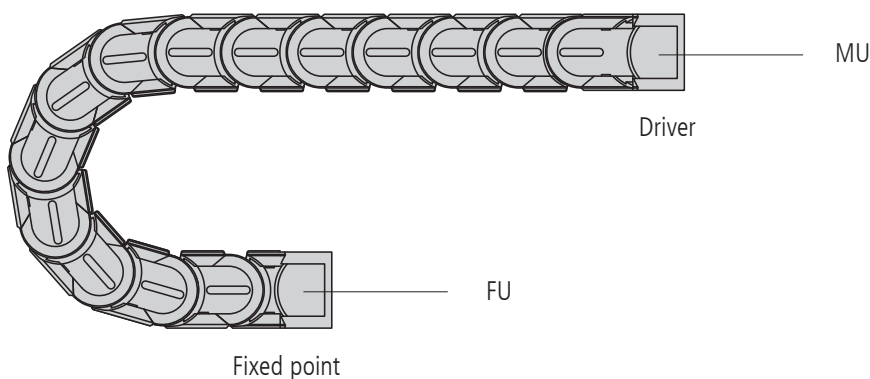


**Note:** The connecting elements are also available as an option **without** cover plate. Please state when ordering.

### Connection dimensions

Bi [mm]	bA [mm]	BEF [mm]
50	60	70
75	85	95
100	110	120
125	135	145
150	160	170

**Note:** The connection dimensions for fixed point and driver are identical. When ordering, please specify the connection type (see order key on page 40)



## TUBE SERIES | TKA45

### Both-sided strain relief combs made of plastic

The cables can be fixed securely and simply using the **optional strain relief combs**. The strain relief combs are installed between the UMBs, and do not need to be bolted on separately or mounted on a C-rail. **When ordering, please state if strain relief combs are required.**

B <sub>i</sub> [mm]	n <sub>z</sub>
50	3
75	5
100	7
125	9
150	11

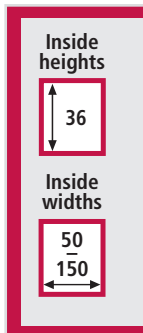
n<sub>z</sub> = Number of teeth on one side of the comb



UMB connection piece with optional strain relief comb

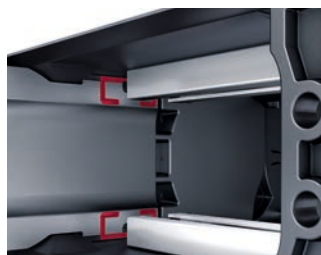


Fixing in the UMB

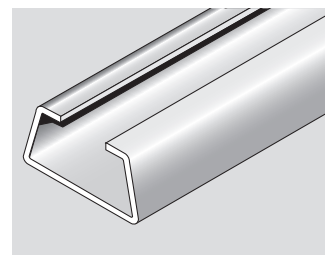


### C-rails for LineFix bracket clamps, SZL strain reliefs and clamps

The optional C-rails are fixed by means of the universal mounting brackets and do not have to be screwed separately. **When ordering, please state if C-rails are required.**



UMB with C-rails. The UMB connections have receptacles at the top and bottom for attachment of the C-rail.



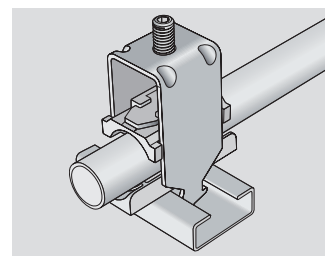
Integrated C-rail. 25 x 10 mm, slot width 11 mm, material steel, Item No. 3931

Our LineFix strain reliefs are very well suited for the C-rails (LineFix bow clamps and other strain reliefs).

**Note:** LineFix strain reliefs can only be used in the connecting elements without cover plate.



C-rail with LineFix strain relief



# TUBE SERIES | TKA45

## Universal mounting brackets St (UMB)

The universal mounting brackets (UMB) are made from zinc plated steel and can **be mounted from above, from below or at the front.**

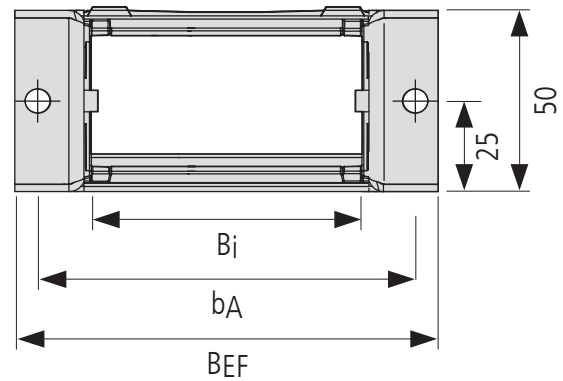
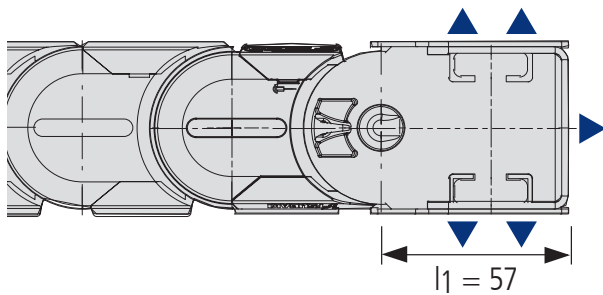
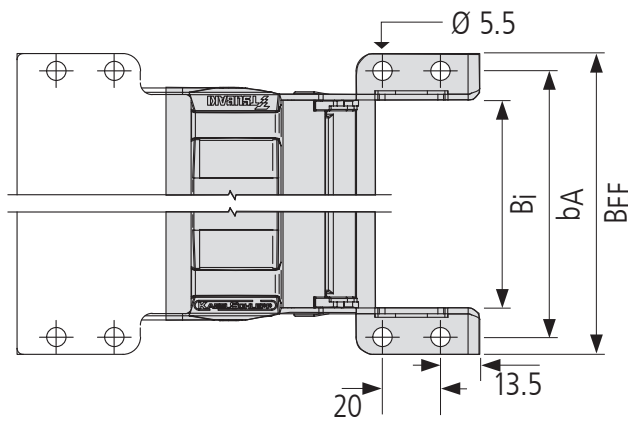
Inside heights

36

Inside widths

50

150

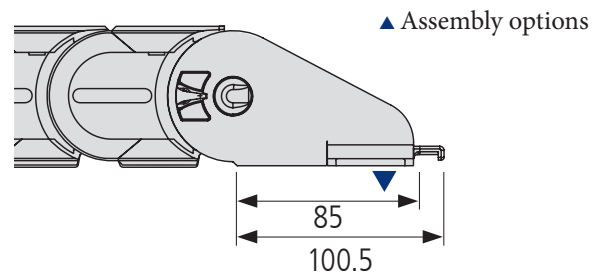
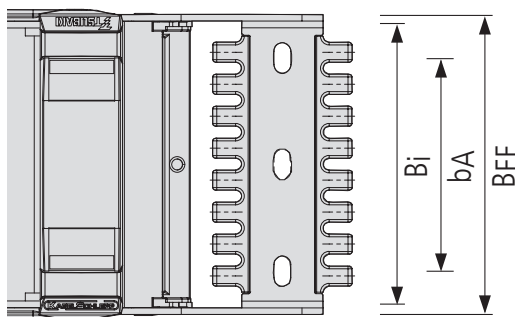


**i** The connection dimensions for fixed point and driver are identical. When ordering, please specify the connection type (see order key on page 40).

**i Note:** The connecting elements are also available as an option **with** cover plate. Please state when ordering.

## Connecting elements St

The connecting elements are made from zinc plated steel. Depending on the application the connection type (**above or below**) can be altered simply by turning them.



**i** The connecting elements St are delivered as standard with strain relief comb made from plastic.

## Connection dimensions

Universal mounting brackets St (UMB)			Connecting elements St	
Bi [mm]	bA [mm]	BEF [mm]	bA [mm]	BEF [mm]
50	78	90	30	66
75	103	115	55	91
100	128	140	80	116
125	153	165	105	141
150	178	190	130	166

**i Note:** Connecting elements St (UMB) and St provide the same connecting dimensions as the previous model UNIFLEX 060. Order: Please contact us. We will willingly advise you.



# TKA55



**Pitch**  
55.5 mm



**Height**  
45 mm

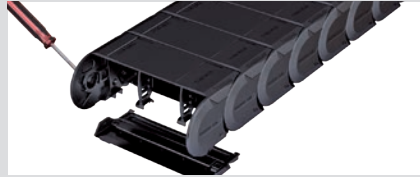


**Width**  
50 – 175 mm

## Stay variants

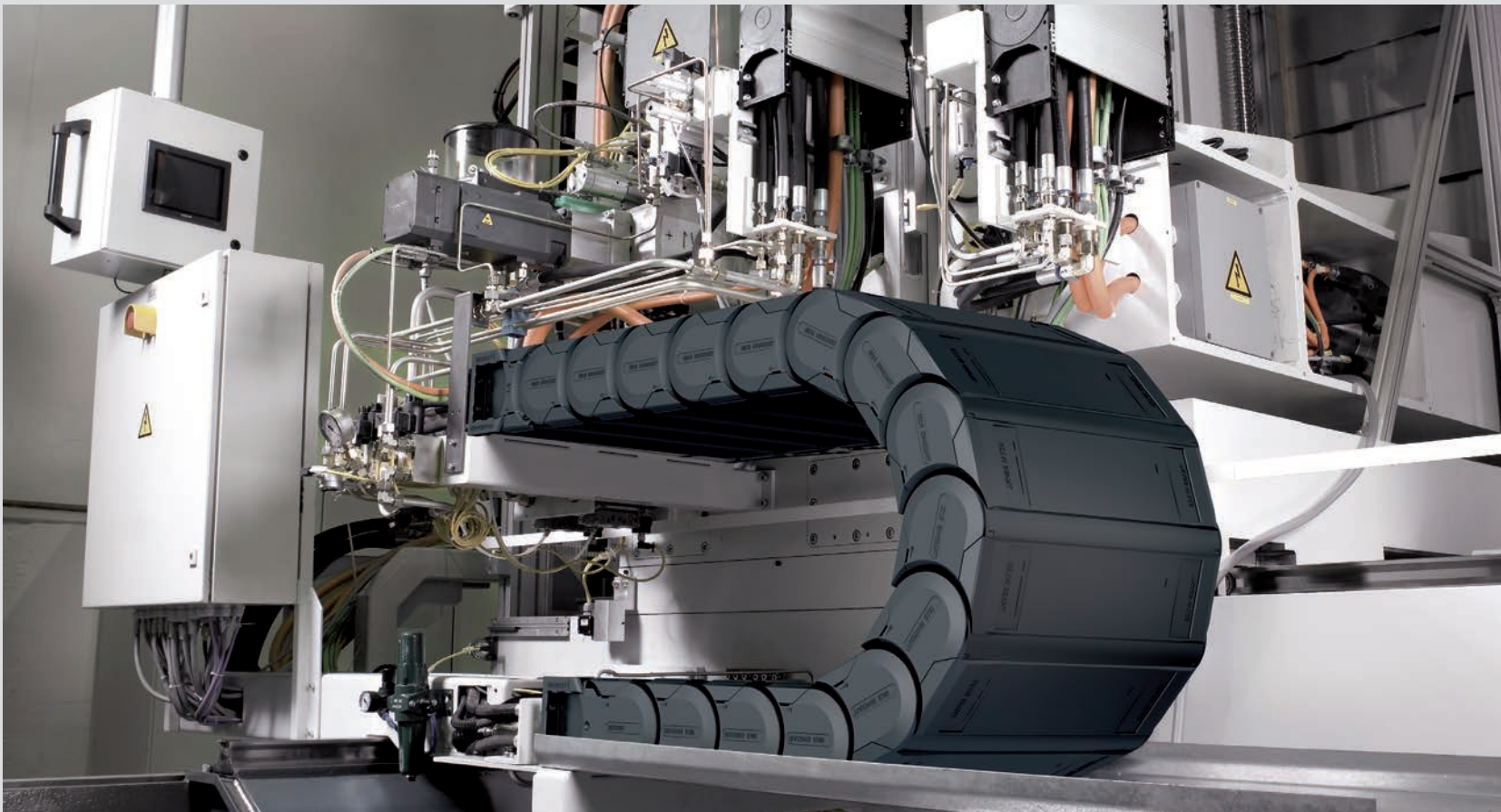
### Stay variant 060

**Inside:** Quick-to-open cover



### Stay variant 080

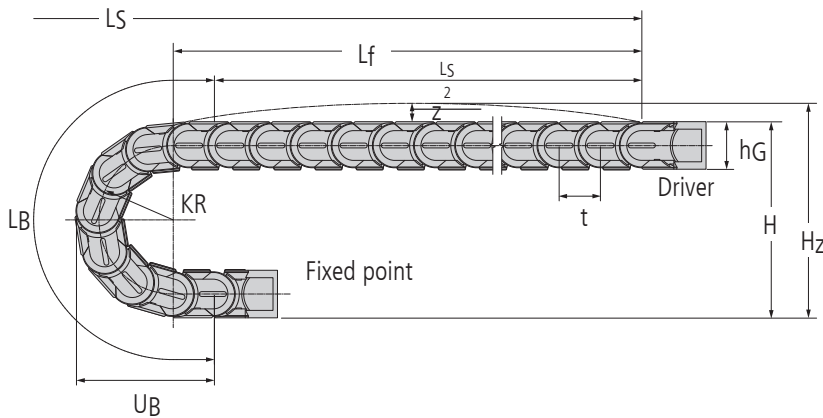
**Outside:** Quick-to-open cover



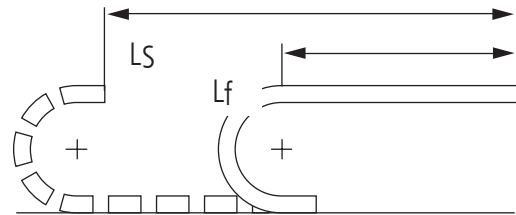


TUBE SERIES | **TKA55**

**Unsupported arrangement**



**Unsupported length Lf**



A sag of the cable carrier is technically permissible for extended movement ranges, depending on specific application.

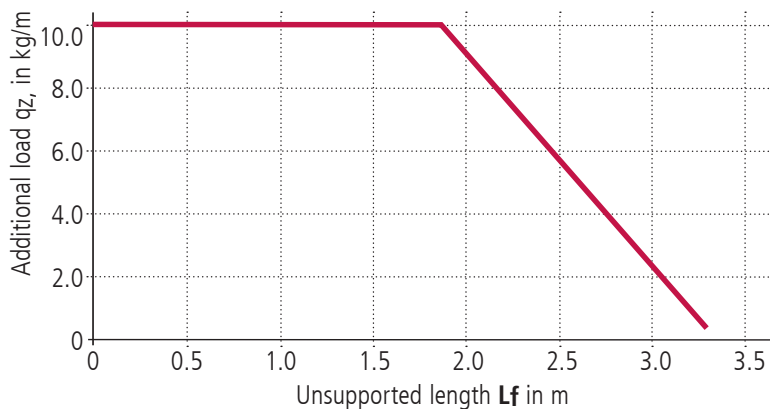
LS max. [m]	Dynamics				t [mm]	z [mm/m]
	vmax [m/s]		amax [m/s]			
	unsupported	gliding	unsupported	gliding		
150	8	3	40	15	55.5	17

**Installation measurements unsupported**

KR [mm]	H [mm]	Hz [mm]	LB [mm]	UB [mm]
100	264	304	425	188
120	304	344	488	208
140	344	384	551	228
170	414	454	645	258
195	454	494	725	283
225	514	554	818	313
250	564	604	896	338
300	664	704	1211	388

**Load diagram**

for unsupported length Lf depending on the additional load



**Calculation of the chain length**

**Chain length Lk**

$$L_k = \frac{L_s}{2} + L_B$$

Chain length Lk rounded off to pitch t

**Unsupported length Lf**

$$L_f = \frac{L_s}{2} - t$$

## TUBE SERIES | TKA55

### Stay variant 060 –

covered on both sides with detachable covers on the inside

Inside heights

45

Inside widths

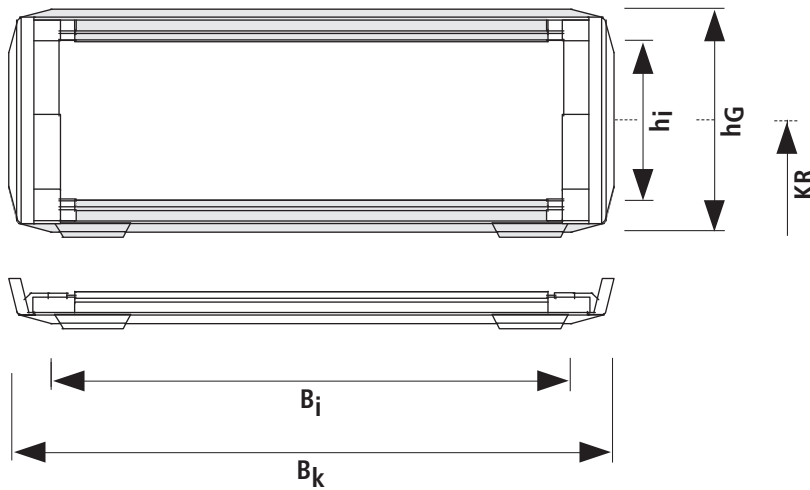
50

175



### Pitch, inside height and chain link height

Type	t [mm]	h <sub>i</sub> [mm]	h <sub>G</sub> [mm]
TKA55.060	55.5	45	64



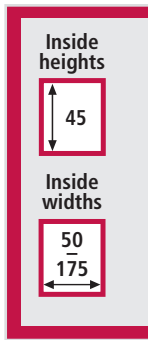
### Inside/outside width and intrinsic chain weight

Type	B <sub>i</sub> [mm]	B <sub>k</sub> [mm]	q <sub>k</sub> [kg/m]
TKA55.060	50	70	1.95
TKA55.060	75	95	2.22
TKA55.060	100	120	2.51
TKA55.060	125	145	2.78
TKA55.060	150	170	3.10
TKA55.060	175	195	3.46

# TUBE SERIES | TKA55

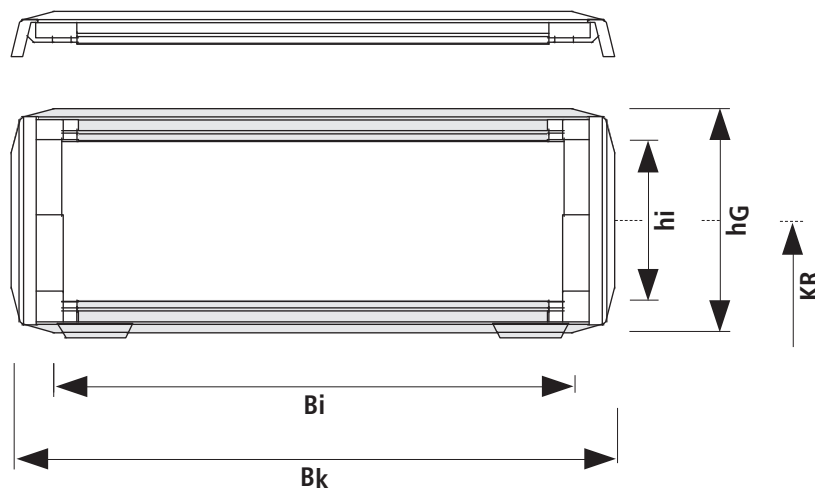
## Stay variant 080 –

covered on both sides with detachable covers on the outside



### Pitch, inside height and chain link height

Type	t [mm]	hi [mm]	hG [mm]
TKA55.080	55.5	45	64



### Inside/outside width and intrinsic chain weight

Type	Bi [mm]	Bk [mm]	qk [kg/m]
TKA55.080	50	70	1.95
TKA55.080	75	95	2.22
TKA55.080	100	120	2.51
TKA55.080	125	145	2.78
TKA55.080	150	170	3.10
TKA55.080	175	195	3.46

# TUBE SERIES | TKA55

## Divider systems

In the standard version, dividers or the complete divider system (dividers with horizontal shelves instead of height separation) can be moved in the cross section (**Version A**).

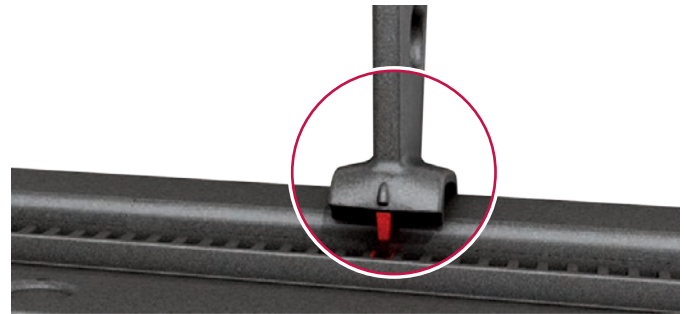
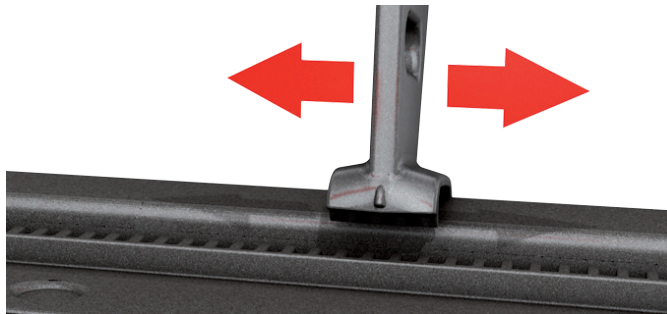
For applications with transverse accelerations and where the carrier is side mounted the dividers can be fixed simply by turning them. This causes the arresting cams to engage in the locking profiles of the covers (**Version B**).

### Moveable divider

Version A (standard)

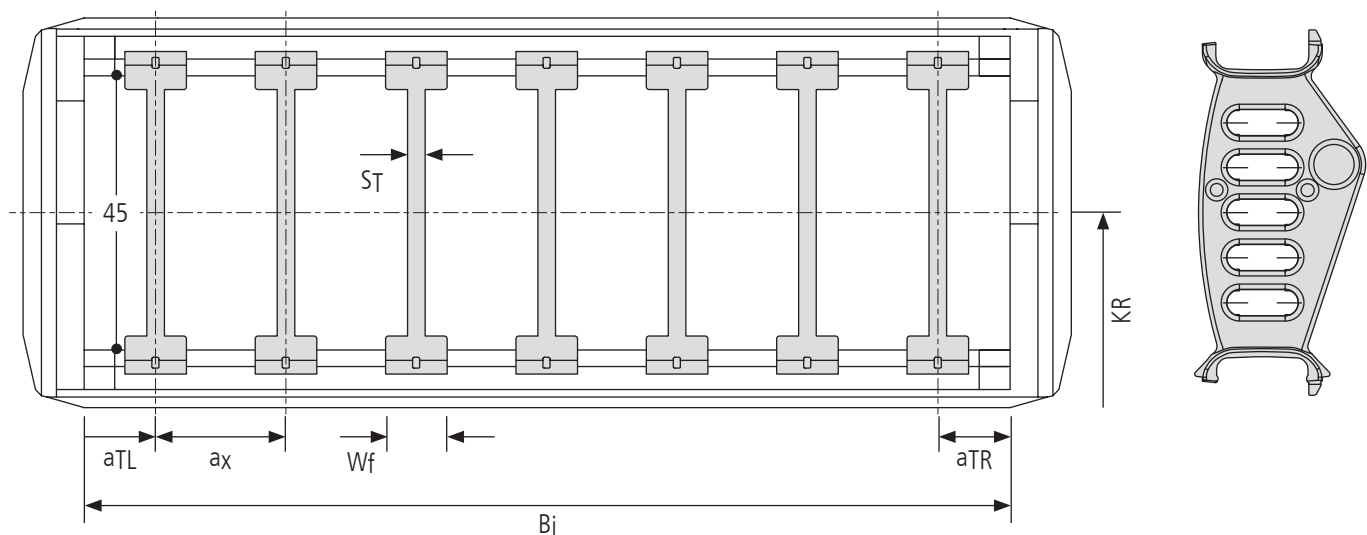
### Fixable divider (2 mm grid)

Version B



## Divider system TS0 without height separation

ST [mm]	Wf [mm]	Version A moveable		Version B fixable		
		aTL/aTR min [mm]	ax min [mm]	aTL/aTR min [mm]	ax min [mm]	ax grid [mm]
3	10	45	10	13.5	10	2



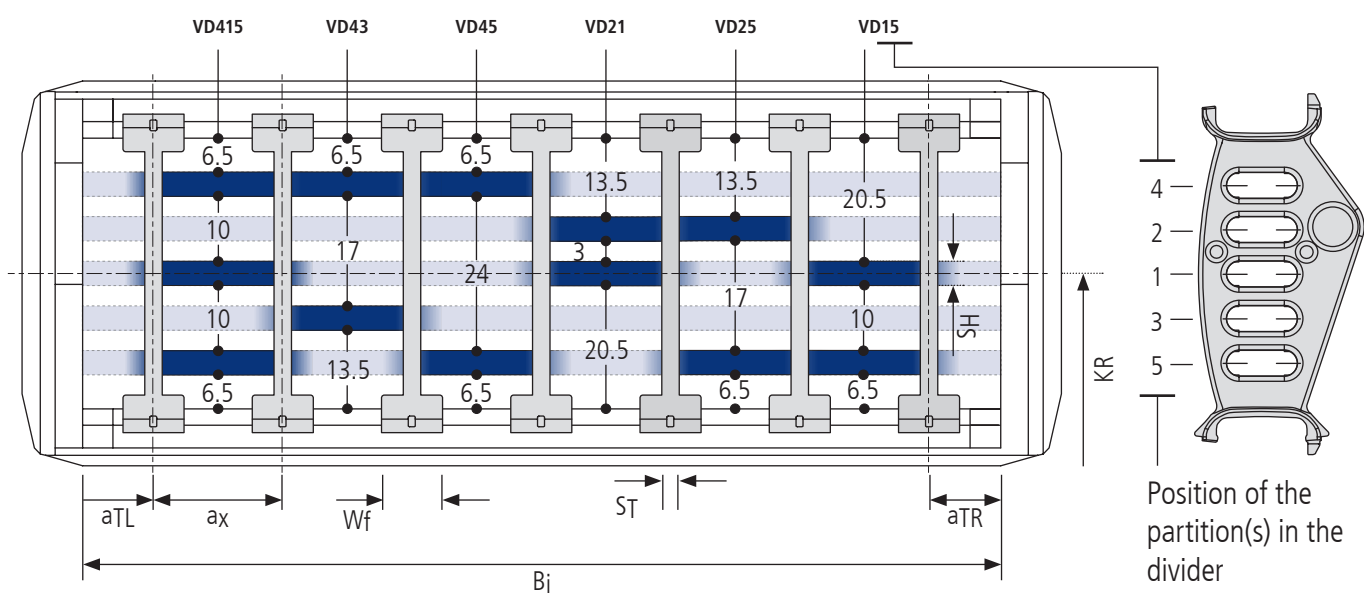
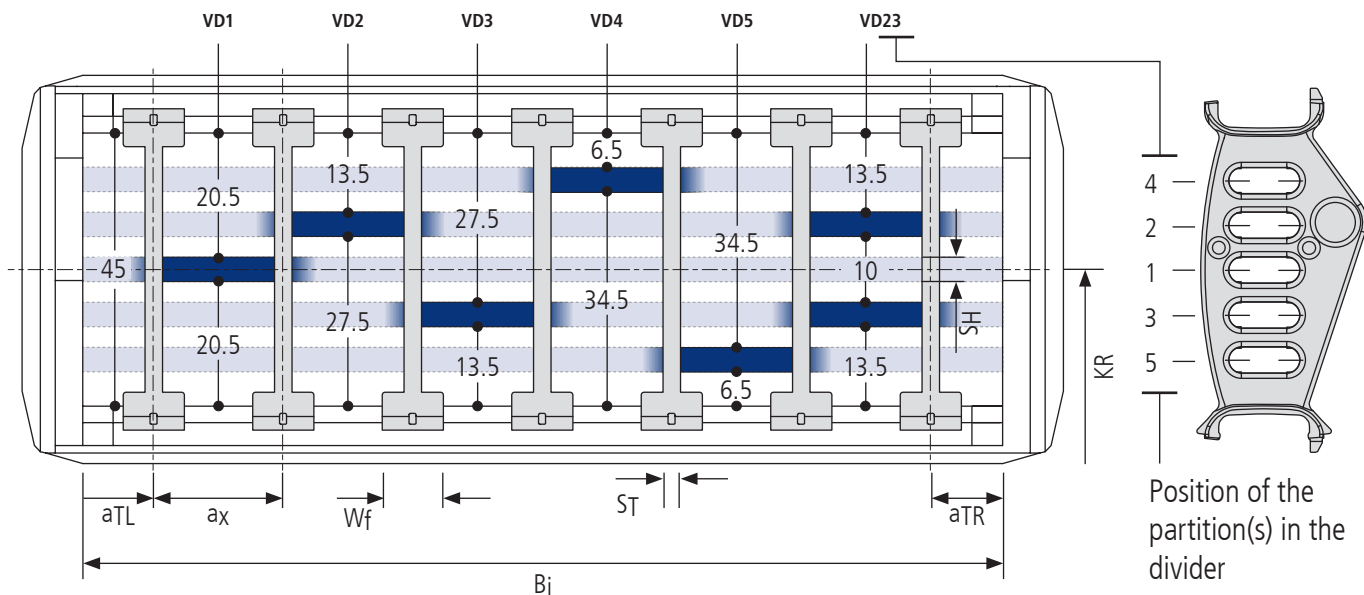
TUBE SERIES | **TKA55**

Divider system **TS1** with continuous height separation made of aluminum

Inside heights  
45

Inside widths  
50  
175

ST [mm]	Wf [mm]	SH [mm]	aTL/aTR max [mm]	Version A moveable		Version B fixable		
				aTL/aTR min [mm]	ax min [mm]	aTL/aTR min [mm]	ax min [mm]	ax grid [mm]
3	10	4	40	5	10	13.5	10	2



# TUBE SERIES | TKA55

## Universal mounting brackets (UMB)

The universal mounting brackets (UMB) are made from plastic and can **be mounted from above, below or at the front.**

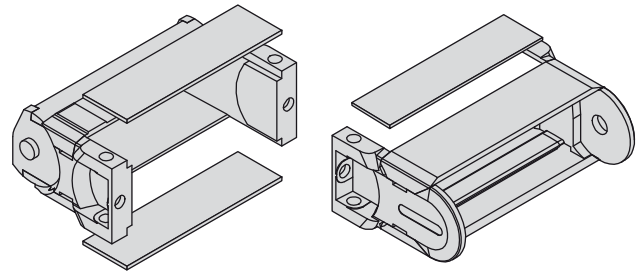
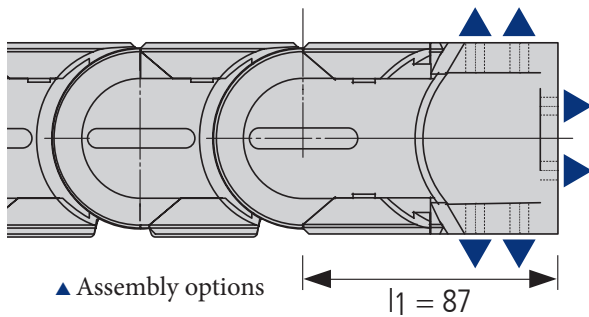
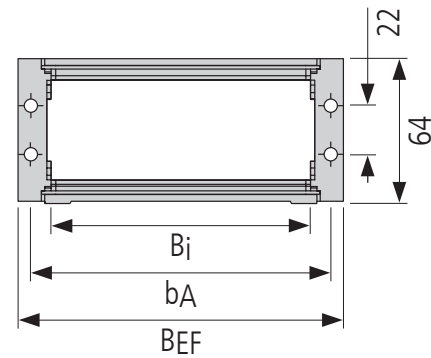
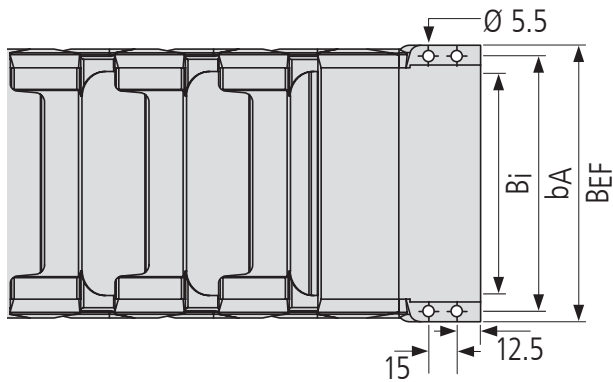
Inside heights

45

Inside widths

50

175

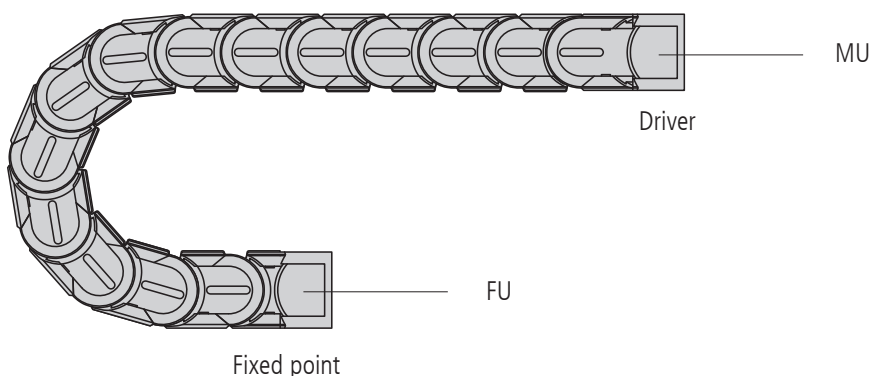


**Note:** The connecting elements are also available as an option **without** cover plate. Please state when ordering.

### Connection dimensions

$B_i$ [mm]	$b_A$ [mm]	$B_{EF}$ [mm]
50	63	74
75	88	99
100	113	124
125	138	149
150	163	174
175	188	199

**Note:** The connection dimensions for fixed point and driver are identical. When ordering, please specify the connection type.



## TUBE SERIES | TKA55

### Both-sided strain relief combs made of plastic

The cables can be fixed securely and simply using the **optional strain relief combs**. The strain relief combs are installed between the UMBs, and do not need to be bolted on separately or mounted on a C-rail. **When ordering, please state if strain relief combs are required.**

<b>Bi</b> [mm]	<b>nz</b>
50	3
75	5
100	7
125	9
150	11
175	13

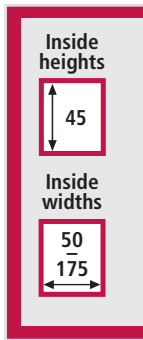
nz = Number of teeth on one side of the comb



UMB connection piece with optional strain relief comb

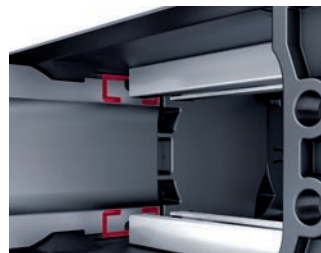


Fixing in the UMB

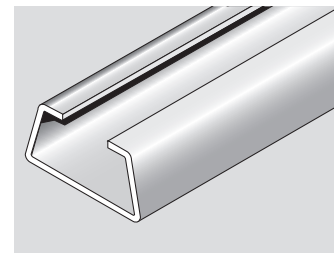


### C-rails for LineFix bracket clamps, SZL strain reliefs and clamps

The optional C-rails are fixed by means of the universal mounting brackets and do not have to be screwed separately. **When ordering, please state if C-rails are required.**



UMB with C-rails. The UMB connections have receptacles at the top and bottom for attachment of the C-rail.



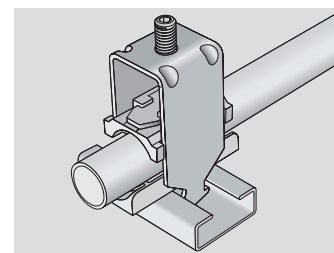
Integrated C-rail. 25 x 10 mm, slot width 11 mm, material steel, Item No. 3931

Our LineFix strain reliefs are very well suited for the C-rails (LineFix bow clamps and other strain reliefs).

**Note:** LineFix strain reliefs can only be used in the connecting elements without cover plate.



C-rail with LineFix strain relief



# TUBE SERIES | TKA55

## Universal mounting brackets St (UMB)

The universal mounting brackets (UMB) are made from zinc plated steel and can **be mounted from above, from below or at the front.**

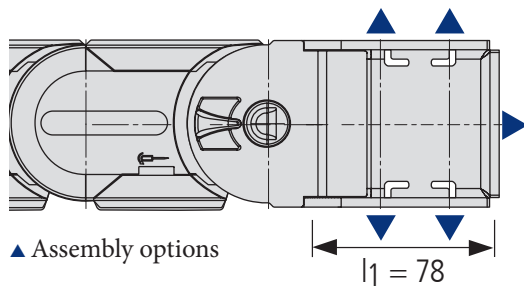
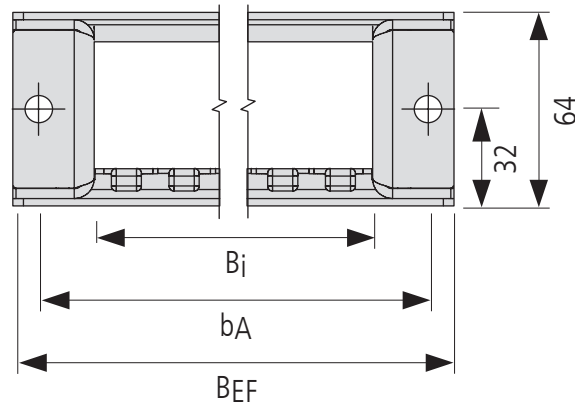
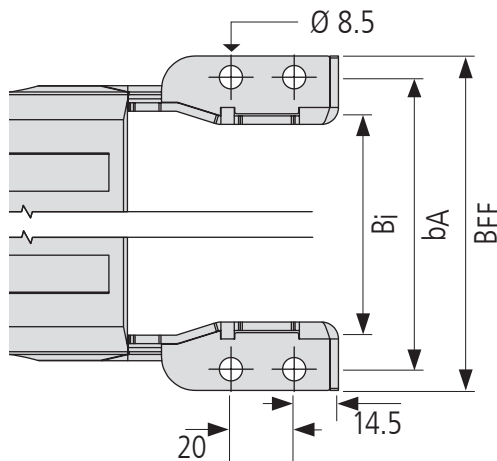
Inside heights

45

Inside widths

50

175



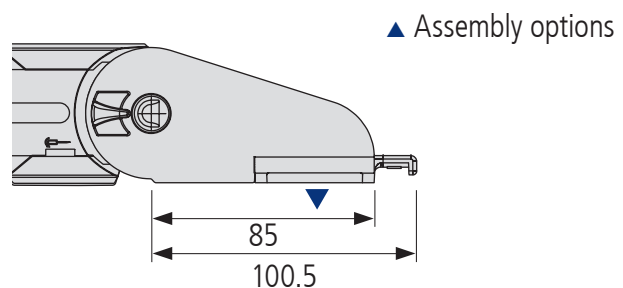
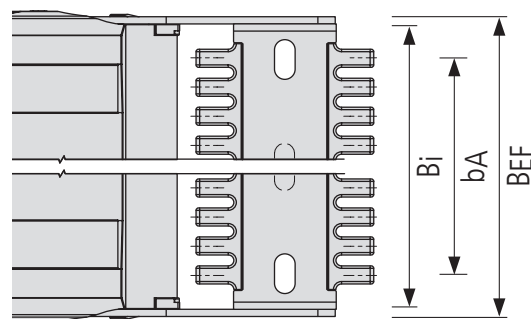
▲ Assembly options

**i** The connection dimensions for fixed point and driver are identical. When ordering, please specify the connection type (see order key on page 40).

**i Note:** The connecting elements are also available as an option **with** cover plate. Please state when ordering.

## Connecting elements St

The connecting elements are made from zinc plated steel. Depending on the application the connection type (**above or below**) can be altered simply by turning them.



▲ Assembly options

The connecting elements St are delivered as standard with strain relief comb made from plastic.

## Connection dimensions

St (UMB)		St			St (UMB)			St	
Bi [mm]	bA [mm]	BEF [mm]	bA [mm]	BEF [mm]	Bi [mm]	bA [mm]	BEF [mm]	bA [mm]	BEF [mm]
50	78	94	30	70	125	153	169	105	145
75	103	119	55	95	150	178	194	130	170
100	128	144	80	120	175	203	219	155	195

**i Note:** Connecting elements St (UMB) and St provide the same connecting dimensions as the previous model UNIFLEX 060. Order: Please contact us. We will willingly advise you.



## Ordering

### Ordering example cable carrier

**Cable carrier**

TKA45	.	080	.	125	.	140	-	1110
Type		Stay variant		Bi [mm]		KR [mm]		LK [mm]

### Ordering example divider system

**Divider system without height separation**

TS0	.	B	/	3
Divider system		Version		nT

Please state the designation of the divider system (TS0, TS1), the version and number of dividers required.

When ordering the fixed version (version B), please indicate the position of the dividers (sketch). Where continuous height separations are required (TS1), please also indicate their positions. (e.g. VD23, or add a sketch)

**Divider system with height separation**

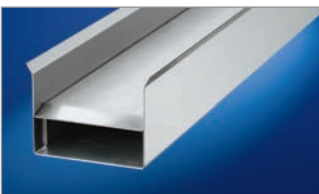
TS1	.	A	/	3	/	VD23
Divider system		Version		nT		Height separation

### Ordering example connection elements

**Connection**

FU	/	MU
Fixed point		Driver

### Guide channels



### Strain relief devices



### Cables for cable carrier systems





Corporate Headquarters  
U.S. Tsubaki Power Transmission, LLC  
301 E. Marquardt Drive  
Wheeling, IL 60090  
Tel: (800) 323-7790  
Fax: (847) 459-9515  
[www.ustsubaki.com](http://www.ustsubaki.com)



Roller Chain Division  
821 Main Street  
Holyoke, MA 01040  
Tel: (800) 323-7790



Conveyor and Construction  
Chain Division  
1010 Edgewater Drive  
Sandusky, OH 44870  
Tel: (800) 537-6140  
Fax: (419) 626-5194



Sprocket Manufacturing  
Mississauga, Ontario  
Tel: (800) 323-7790



KabelSchlepp Division  
7100 W. Marcia Rd.  
Milwaukee, WI 53223  
Tel: (800) 443-4216  
Fax: (414) 354-1900