



# **BL Precision Bearings**

## **Radial Ball Bearings and Mounted Ball Bearing Units**



Catalog No. 0810

Section 1 – Deep Groove Ball Bearings – Features	2
6000 Series – Radial Ball Bearings – Extra Light Duty	4
6200 Series – Radial Ball Bearings – Light Duty	5
6300 Series – Radial Ball Bearings – Medium Duty	6
61800 Series – Radial Ball Bearings – Extra Thin Section	7
61900 Series – Radial Ball Bearings – Thin Section	8
5200 Series – Angular Contact Ball Bearings – Light Duty	9
5300 Series – Angular Contact Ball Bearings – Medium Duty	10
600 Series – Miniature Ball Bearings	11
"L" Series – Miniature Ball Bearings	11
"R" Series – Inch Miniature Ball Bearings	12
1600 Series – Inch Radial Ball Bearings	13
SS60/62 – Stainless Steel – Radial Ball Bearings	14
SSFR Series – Stainless Steel – Flanged Inch Ball Bearings	14
SSR Series – Stainless Steel – Inch Miniature Ball Bearings	15
SSRI Series – Stainless Steel – Inch Miniature Ball Bearing	15
Special Ball Bearings	16
Tapered Roller Bearings	17
Section 2 – Mounted Ball Bearing Units – Features	18
Pillow Blocks	
UCP – Standard Duty – Set Screw	22
HCP – Standard Duty – Eccentric Locking Collar	23
UCPX – Medium Duty – Set Screw	24
SBP – Light Duty – Set Screw	25
SAP – Light Duty – Eccentric Locking Collar	26
UCPK – Low Center Height – Set Screw	27
UCPA A – Tapped Base – Set Screw	28
SBPP/SAPP – Pressed Steel – Light Duty – Set Screw/Eccentric Locking Collar	29
Flanges	
UCF – Standard Duty – 4 Bolt Flange – Set Screw	30
HCF – Standard Duty – 4 Bolt Flange – Eccentric Locking Collar	31
UCFX – Medium Duty – 4 Bolt Flange – Set Screw	32
SAF – Light Duty – 4 Bolt Flange – Eccentric Locking Collar	33
UCFL – Standard Duty – 2 Bolt Flange – Set Screw	34
HCFL – Standard Duty – 2 Bolt Flange – Eccentric Locking Collar	35
UCFLX – Medium Duty – 2 Bolt Flange – Set Screw	36
SBFL – Light Duty – 2 Bolt Flange – Set Screw	37
SBLF/SALF – Light Duty – 2 Bolt Flange – Set Screw/Eccentric Locking Collar	38
UCFC – Standard Duty – 4 Bolt Round Flange – Set Screw	39
UCFCSX – Medium Duty – 4 Bolt Round Flange – Set Screw	40
SBFCT/SAFCT – Light Duty – Ductile Iron – 3 Bolt Flange – Set Screw/Eccentric Locking Collar	41
UCFB – Standard Duty – 3 Bolt Flange Bracket Unit – Set Screw	42
PFL/PF/PFT – Stamped Steel Flanges	43
Take Up Units	
UCT – Standard Duty – Take Up Unit – Narrow Slot – Set Screw	44
UCST – Standard Duty – Take Up Unit – Wide Slot – Set Screw	45
UCSTX – Medium Duty – Take Up Unit – Wide Slot – Set Screw	46
Inserts	
UC – Standard Duty – Set Screw	47
HC – Standard Duty – Eccentric Locking Collar	48
UCX – Medium Duty – Set Screw Locking	49
SA/CSA – Light Duty – Eccentric Locking Collar	50
SB/SBG/CSB – Light Duty – Set Screw	51
SER – Standard Duty – Cylindrical OD – Snap Ring – Set Screws	52
Agricultural	
W200PPB – Farm Implement Ball Bearings – Triple Lip Seals - Nonrelubricable	53
GW200PPB – Farm Implement Bearings – Triple Lip Seals – Relubricable	54
209/211 – Disk Harrow Bearings	55
Washdown – Features	56
UCPSS – Stainless Steel Pillow Blocks	57
UCFSS – Stainless Steel 4 Bolt Flange Units	58
UCFLSS – Stainless Steel 2 Bolt Flange Units	58
UCPPL – Thermoplastic Pillow Blocks	59
UCPAPL A – Tapped Base Thermoplastic Pillow Blocks	59
UCFPL – 4 Bolt Thermoplastic Flange Units	60
UCFLPL – 2 Bolt Thermoplastic Flange Units	60
UC – Stainless Steel Ball Bearing Inserts	61
AC Units	
RCSM/RCSMS – Rubber Mounted Cartridge Units - Set Screw/Eccentric Locking Collar	62
RABR/RABR S – Rubber Mounted Cartridge Units - Set Screw/Eccentric Locking Collar	63
RPB/RPB S – Rubber Cushioned Pressed Steel Pillow Blocks - Set Screw/Eccentric Locking Collar	64
Appendix – Clearance, Tolerance, Lube, Interchange Info, Inch-Metric Conversion Chart	65

# DEEP GROOVE BALL BEARINGS

## BEARING FEATURES

Deep groove ball bearings incorporate grooved raceways on both the inner ring and outer ring, which enable them to sustain moderate axial loads in both directions in addition to radial loads. Balls are separated by steel cages, permitting high-speed operation. Double row angular contact bearings are designed to accommodate combined simultaneous acting axial and radial loads. Balls are normally separated by high-speed Polyamide cages.

Most bearings are prelubricated with Mobil Polyrex EM grease or Chevron SRI-2, which provides excellent lubrication up to 350°F. Sealed and shielded bearings are lubricated for life.

### Bearing Steel

Standard bearings utilize high quality 52100 through hardened steel. Stainless steel units utilize high quality AISI 440C stainless steel to combine corrosion resistance and provide hardness and strength.

### Bearing Configurations

BL radial ball bearings are manufactured as either sealed (2RS), shielded (ZZ) or open. Many bearings can also be supplied with snap rings (NR).

Sealed (2RS) bearings feature contact lip seals that provide excellent protection from liquids and contamination. However, seal rubbing can result in friction (drag) and produce heat, which could be a concern in high-speed applications.

Shielded (ZZ) bearings have non-contact steel shields that do not protect against liquids but add no friction or heat build-up during operation.

Open bearings are supplied with a coating of light oil and are used in oil bath and oil mist environments.

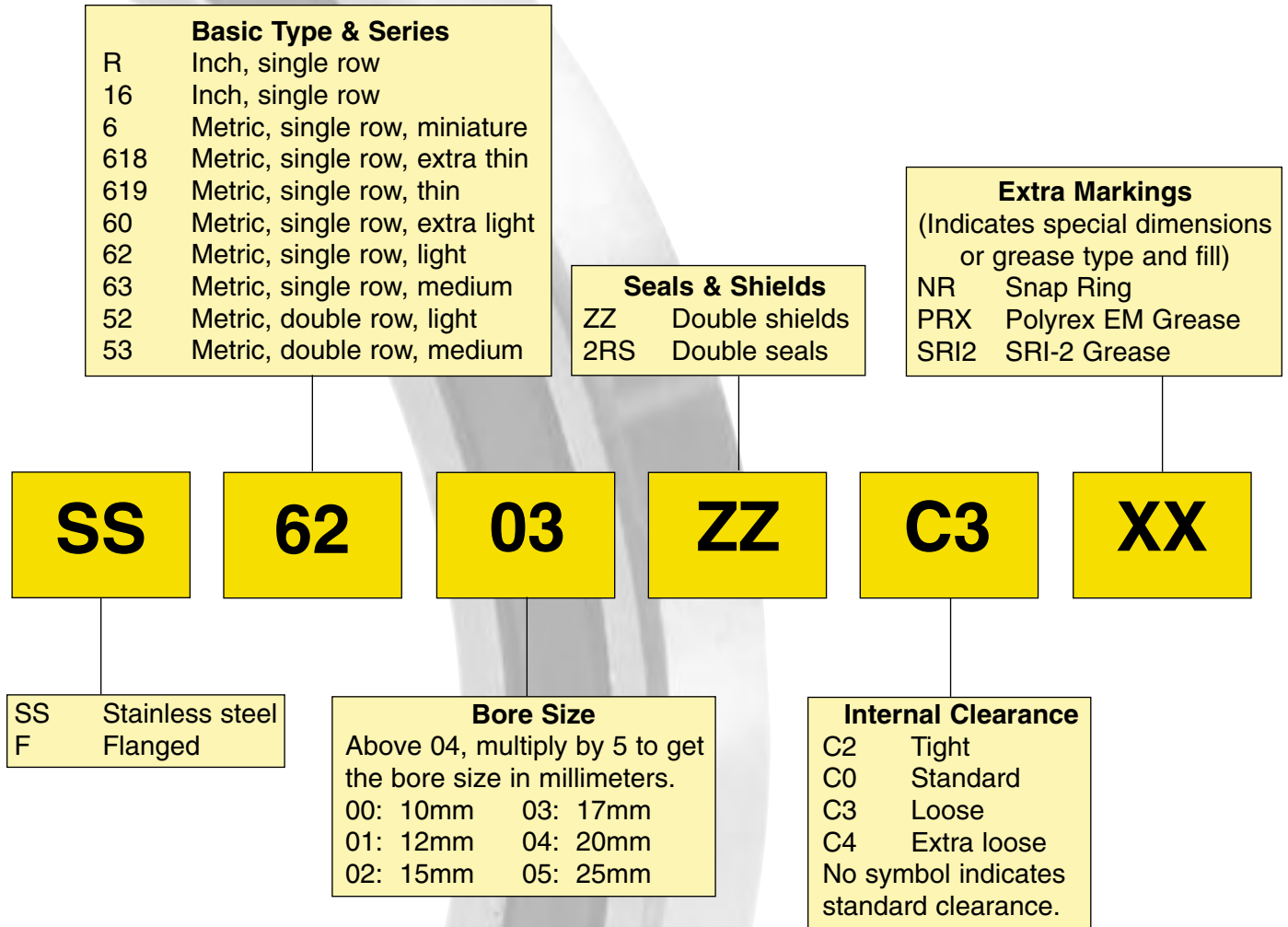
Snap ring (NR) bearings are supplied with snap ring grooves and snap rings installed on the OD. (NOTE: Not all bearings are available as NR.)



# DEEP GROOVE BALL BEARINGS

## PART NUMBER NOMENCLATURE

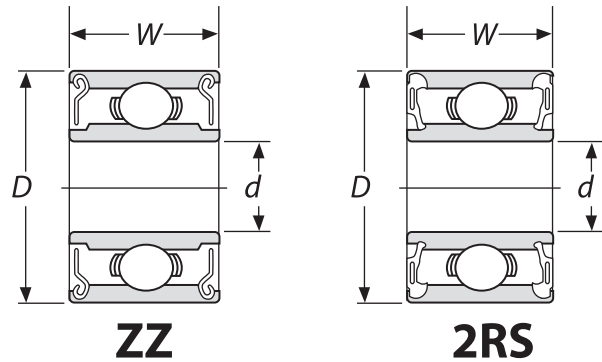
Each BL Deep Groove Ball Bearing part number is a unique combination indicating the bearing's type, series, internal clearance, bore size, seal and shields.





# RADIAL BALL BEARINGS

## 6000 SERIES EXTRA LIGHT DUTY - METRIC



Bore mm d	OD mm D	Width mm W	Bearing Number	Basic Load Rating		Speed Rating		Weight (lb)
				Pounds		Grease	Oil	
				Dynamic	Static	RPM	RPM	
10	26	8	<b>6000</b>	1030	440	29000	34000	0.042
12	28	8	<b>6001</b>	1150	540	26000	30000	0.050
15	32	9	<b>6002</b>	1260	640	15000	28000	0.070
17	35	10	<b>6003</b>	1350	730	13000	26000	0.090
20	42	12	<b>6004</b>	2110	1140	18000	21000	0.150
25	47	12	<b>6005</b>	2260	1320	15000	18000	0.180
30	55	13	<b>6006</b>	2970	1860	13000	15000	0.260
35	62	14	<b>6007</b>	3600	2310	12000	14000	0.340
40	68	15	<b>6008</b>	3750	2590	10000	12000	0.420
45	75	16	<b>6009</b>	4720	3400	9000	11000	0.520
50	80	16	<b>6010</b>	4900	3700	8400	9800	0.570
55	90	18	<b>6011</b>	6350	4850	7700	9000	0.850
60	95	18	<b>6012</b>	6600	5200	7000	8300	0.915
65	100	18	<b>6013</b>	6850	5850	6500	7700	0.930
70	110	20	<b>6014</b>	8550	6950	6100	7100	1.330
75	115	20	<b>6015</b>	8890	7550	5700	6700	1.430
80	125	22	<b>6016</b>	10700	8950	5300	6200	1.880
85	130	22	<b>6017</b>	11100	9700	5000	5900	1.960
90	140	24	<b>6018</b>	13100	11200	4750	5600	2.560
95	145	24	<b>6019</b>	13600	12100	4300	5300	2.670
100	150	24	<b>6020</b>	14200	12200	4000	5000	2.760
105	160	26	<b>6021</b>	16300	14800	3700	4700	3.510

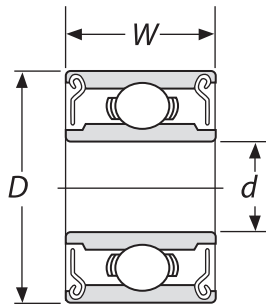
\* Also available with snap ring (NR suffix)



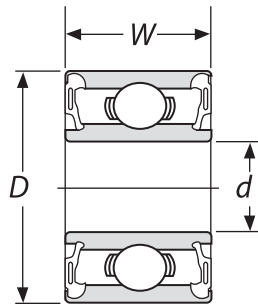
www.bl-bearings.com

# RADIAL BALL BEARINGS

## 6200 SERIES LIGHT DUTY - METRIC



**ZZ**



**2RS**



Bore mm d	OD mm D	Width mm W	Bearing Number	Basic Load Rating		Speed Rating		Weight (lb)
				Pounds		Grease	Oil	
				Dynamic	Static	RPM	RPM	
10	30	9	<b>6200</b>	1150	540	24000	30000	0.07
12	32	10	<b>6201</b>	1530	690	22000	26000	0.08
15	35	11	<b>6202</b>	1740	805	19000	23000	0.10
17	40	12	<b>6203</b>	2150	1080	12000	20000	0.15
20	47	14	<b>6204</b>	2880	1490	11000	18000	0.24
25	52	15	<b>6205</b>	3150	1770	10500	15000	0.28
30	62	16	<b>6206</b>	4390	2540	10000	13000	0.44
35	72	17	<b>6207</b>	5800	3400	9800	11000	0.63
40	80	18	<b>6208</b>	6500	4000	8700	10000	0.80
45	85	19	<b>6209</b>	7300	4600	7800	9200	0.88
50	90	20	<b>6210</b>	7870	5200	7100	8300	1.02
55	100	21	<b>6211</b>	9750	6500	6400	7600	1.34
60	110	22	<b>6212</b>	11800	8150	6000	7000	1.70
65	120	23	<b>6213</b>	12900	9000	5400	6500	2.22
70	125	24	<b>6214</b>	14000	9900	5100	6000	2.41
75	130	25	<b>6215</b>	14900	11100	4800	5600	2.59
80	140	26	<b>6216</b>	16300	11900	4500	5300	3.13
85	150	28	<b>6217</b>	18700	14300	4200	5000	3.94
90	160	30	<b>6218</b>	21600	16100	3950	4750	4.74
95	170	32	<b>6219</b>	24500	18400	3600	4450	5.78
100	180	34	<b>6220</b>	27500	20900	3350	4200	6.90
105	190	36	<b>6221</b>	29900	23500	3050	3950	8.14
110	200	38	<b>6222</b>	32500	26300	2875	3700	9.61

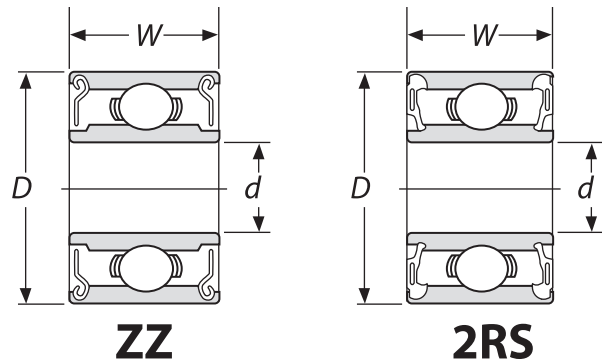
\* Also available with snap ring (NR suffix)



www.bl-bearings.com

# RADIAL BALL BEARINGS

## 6300 SERIES MEDIUM DUTY - METRIC



Bore mm d	OD mm D	Width mm W	Bearing Number	Basic Load Rating		Speed Rating		Weight (lb)
				Dynamic	Static	Grease RPM	Oil RPM	
10	35	11	<b>6300</b>	1820	780	17000	26000	0.11
12	37	12	<b>6301</b>	2180	950	16000	24000	0.13
15	42	13	<b>6302</b>	2570	1230	13000	20000	0.18
17	47	14	<b>6303</b>	3060	1470	11000	18000	0.25
20	52	15	<b>6304</b>	3580	1780	10000	17000	0.32
25	62	17	<b>6305</b>	4640	2520	9500	13000	0.52
30	72	19	<b>6306</b>	6000	3370	9000	12000	0.80
35	80	21	<b>6307</b>	7500	4300	8500	10000	1.00
40	90	23	<b>6308</b>	9100	5400	7800	9200	1.40
45	100	25	<b>6309</b>	11900	7200	6700	8000	1.80
50	110	27	<b>6310</b>	13900	8600	6400	7500	2.40
55	120	29	<b>6311</b>	16100	10100	5800	6800	3.02
60	130	31	<b>6312</b>	18400	11700	5400	6300	3.81
65	140	33	<b>6313</b>	20800	13400	4900	5800	4.70
70	150	35	<b>6314</b>	23400	15300	4600	5400	5.72
75	160	37	<b>6315</b>	25500	17400	4300	5000	6.84
80	170	39	<b>6316</b>	27600	19500	4000	4700	8.13
85	180	41	<b>6317</b>	29800	21800	3800	4500	9.53
90	190	43	<b>6318</b>	32000	24100	3600	4300	10.80
95	200	45	<b>6319</b>	34500	26600	3400	4100	12.50
100	215	47	<b>6320</b>	39000	31500	3200	3950	15.40
105	225	49	<b>6321</b>	41500	34500	3000	3750	17.70
110	240	50	<b>6322</b>	43500	40500	2850	3500	21.00

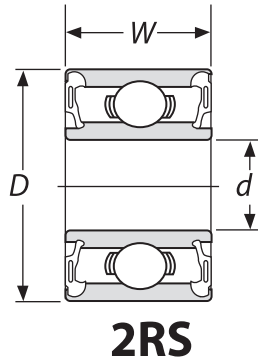
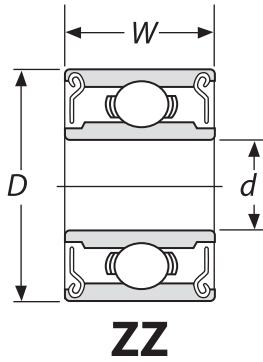
\* Also available with snap ring (NR suffix)



www.bl-bearings.com

# RADIAL BALL BEARINGS

## 61800 SERIES EXTRA THIN SECTION - METRIC



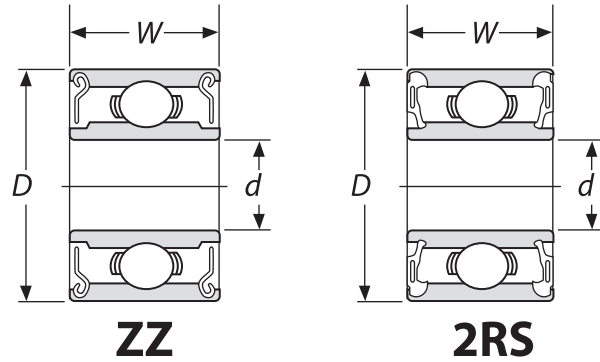
Bore mm d	OD mm D	Width mm W	Bearing Number	Basic Load Rating		Speed Rating		Weight (lb)
				Dynamic Pounds	Static Pounds	Grease RPM	Oil RPM	
10	19	5	<b>61800</b>	410	208	36000	43000	0.01
12	21	5	<b>61801</b>	430	220	20000	38000	0.01
15	24	5	<b>61802</b>	470	290	17000	34000	0.02
17	26	5	<b>61803</b>	630	385	15000	30000	0.02
20	32	7	<b>61804</b>	900	560	13000	26000	0.04
25	37	7	<b>61805</b>	1010	710	12000	22000	0.05
30	42	7	<b>61806</b>	1060	820	11000	18000	0.05
35	47	7	<b>61807</b>	1100	920	10500	16000	0.06
40	52	7	<b>61808</b>	1140	980	10000	14000	0.07
45	58	7	<b>61809</b>	1419	1270	9500	12000	0.09
50	65	7	<b>61810</b>	1480	1370	9000	11000	0.12
55	72	9	<b>61811</b>	1980	1820	8700	10000	0.18
60	78	10	<b>61812</b>	2580	2380	8000	9400	0.23
65	85	10	<b>61813</b>	2610	2480	7400	8700	0.28
70	90	10	<b>61814</b>	2720	2680	6900	8100	0.30
75	95	10	<b>61815</b>	2820	2890	6400	7600	0.32





# RADIAL BALL BEARINGS

## 61900 SERIES THIN SECTION - METRIC



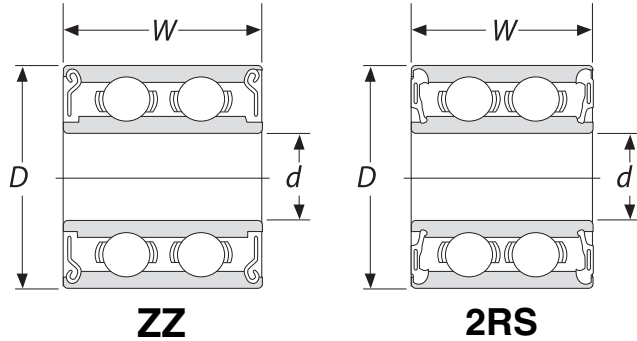
Bore mm d	OD mm D	Width mm W	Bearing Number	Basic Load Rating		Speed Rating		Weight (lb)
				Dynamic	Static	Grease RPM	Oil RPM	
10	22	6	<b>61900</b>	610	290	28000	38000	0.02
12	24	6	<b>61901</b>	650	330	27000	36000	0.02
15	28	7	<b>61902</b>	980	510	24000	30000	0.03
17	30	7	<b>61903</b>	1040	570	22000	28000	0.04
20	37	9	<b>61904</b>	1440	830	18000	22000	0.08
25	42	9	<b>61905</b>	1590	1020	15000	19000	0.09
30	47	9	<b>61906</b>	1630	1130	13000	17000	0.11
35	55	10	<b>61907</b>	2390	1630	11000	15000	0.17
40	62	12	<b>61908</b>	3080	2250	10000	13000	0.25
45	68	12	<b>61909</b>	3400	2530	9000	12000	0.28
50	72	12	<b>61910</b>	3500	2750	8000	11000	0.29
55	80	13	<b>61911</b>	3600	2980	7000	9600	0.40
60	85	13	<b>61912</b>	3700	3200	6500	8900	0.42
65	90	13	<b>61913</b>	4610	3480	6000	8200	0.45
70	100	16	<b>61914</b>	5350	4750	5700	7700	0.74
75	105	16	<b>61915</b>	5500	5100	5400	7200	0.78



# ANGULAR CONTACT BALL BEARINGS

## DOUBLE ROW ANGULAR CONTACT - 5200 SERIES LIGHT DUTY METRIC

FEATURES HIGH SPEED POLYAMIDE CAGE



Bore mm d	OD mm D	Width mm W	Bearing Number	Basic Load Rating		Speed Rating		Weight (lb)
				Dynamic Pounds	Static Pounds	Grease RPM	Oil RPM	
10	30	14.3	<b>5200</b>	1600	850	14000	19000	0.10
12	32	15.9	<b>5201</b>	2300	1300	13000	17000	0.11
15	35	15.9	<b>5202</b>	2600	1500	11000	15000	0.15
17	40	17.5	<b>5203</b>	3300	2000	9900	13000	0.20
20	47	20.6	<b>5204</b>	4400	2700	8800	12000	0.31
25	52	20.6	<b>5205</b>	4700	3200	7300	9800	0.45
30	62	23.8	<b>5206</b>	6400	4600	6300	8400	0.63
35	72	27.0	<b>5207</b>	8500	6200	5500	7400	0.96
40	80	30.2	<b>5208</b>	9600	7200	4900	6600	1.30
45	85	30.2	<b>5209</b>	10800	8300	4400	5900	1.37
50	90	30.2	<b>5210</b>	11500	9400	4000	5300	1.48
55	100	33.3	<b>5211</b>	14200	11900	3600	4900	2.17
60	110	36.5	<b>5212</b>	16100	13100	3400	4500	2.80
65	120	38.1	<b>5213</b>	18700	16300	3100	4200	3.46
70	125	39.7	<b>5214</b>	19900	17900	2900	3900	3.97
75	130	41.3	<b>5215</b>	20300	18100	2700	3600	4.20
80	140	44.4	<b>5216</b>	23800	21400	2500	3400	5.50
85	150	49.2	<b>5217</b>	25100	23900	2400	3200	7.47
90	160	52.4	<b>5218</b>	31500	29000	2200	3000	8.90
95	170	55.6	<b>5219</b>	35200	32100	2100	2800	10.70
100	180	60.3	<b>5220</b>	39600	36000	2000	2700	13.10

\* Also available with snap ring (NR suffix)

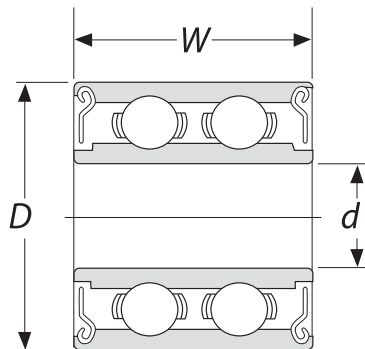


www.bl-bearings.com

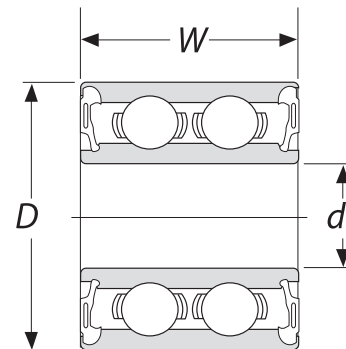
# ANGULAR CONTACT BALL BEARINGS

## DOUBLE ROW ANGULAR CONTACT - 5300 SERIES MEDIUM DUTY METRIC

FEATURES HIGH SPEED POLYAMIDE CAGE



**ZZ**



**2RS**

Bore mm d	OD mm D	Width mm W	Bearing Number	Basic Load Rating		Speed Rating		Weight (lb)
				Dynamic	Static	Grease RPM	Oil RPM	
10	35	19.0	<b>5300</b>	1750	1250	11000	15000	0.22
12	37	19.0	<b>5301</b>	2000	1390	10400	14000	0.23
15	42	19.0	<b>5302</b>	3850	2260	9900	13000	0.29
17	47	22.2	<b>5303</b>	4500	3000	9000	12000	0.40
20	52	22.2	<b>5304</b>	4800	3100	8000	11000	0.48
25	62	25.4	<b>5305</b>	6800	4600	6700	8900	0.80
30	72	30.2	<b>5306</b>	8800	6100	5700	7600	1.20
35	80	34.9	<b>5307</b>	11100	7850	5000	6600	1.70
40	90	36.5	<b>5308</b>	13600	9850	4400	5900	2.30
45	100	39.7	<b>5309</b>	16300	12100	4000	5300	3.10
50	110	44.4	<b>5310</b>	19200	14500	3600	4800	4.00
55	120	49.2	<b>5311</b>	23900	18500	3300	4400	5.10
60	130	54.0	<b>5312</b>	27300	21400	3000	4000	6.70
65	140	58.7	<b>5313</b>	31000	24600	2800	3700	8.60
70	150	63.5	<b>5314</b>	35000	28000	2600	3500	10.80
75	160	68.3	<b>5315</b>	38000	31500	2400	3200	13.60
80	170	68.3	<b>5316</b>	42000	34500	2200	3100	15.00

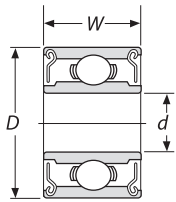
\* Also available with snap ring (NR suffix)



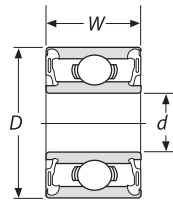
www.bl-bearings.com

# MINIATURE BALL BEARINGS

## 600 SERIES - METRIC



**ZZ**

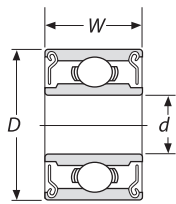


**2RS**

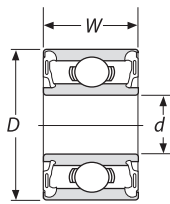


Bore mm d	OD mm D	Width mm W	Bearing Number	Basic Load Rating Pounds		Speed Rating		Weight (lb)
				Dynamic	Static	Grease RPM	Oil RPM	
3	10	4	<b>623</b>	140	50	50000	60000	.003
4	13	5	<b>624</b>	290	110	40000	48000	.006
4	16	5	<b>634</b>	400	150	40000	48000	.012
5	14	5	<b>605</b>	300	115	37000	44000	.008
5	16	5	<b>625</b>	390	150	36000	43000	.011
5	19	6	<b>635</b>	530	200	32000	40000	.018
6	17	6	<b>606</b>	510	190	38000	45000	.015
6	19	6	<b>626</b>	530	200	32000	40000	.017
6	22	7	<b>636</b>	750	320	30000	36000	.032
7	17	5	<b>697</b>	360	160	36000	43000	.011
7	19	6	<b>607</b>	525	205	36000	43000	.018
7	22	7	<b>627</b>	740	310	30000	36000	.028
8	22	7	<b>608</b>	740	310	34000	40000	.028
8	24	8	<b>628</b>	750	320	28000	34000	.038
8	28	9	<b>638</b>	1020	450	28000	34000	.066
9	14	3	<b>679</b>	200	110	36000	42000	.044
9	24	7	<b>609</b>	755	325	32000	38000	.035
9	26	8	<b>629</b>	1020	540	28000	34000	.042

\* Also available open (without shields or seals)



**ZZ**



**2RS**



## "L" SERIES - METRIC

Bore mm d	OD mm D	Width mm W	Bearing Number	Basic Load Rating Pounds		Speed Rating		Weight (lb)
				Dynamic	Static	Grease RPM	Oil RPM	
4	10	4.0	<b>L1040</b>	73	26	45000	54000	.002
5	10	4.0	<b>L1050</b>	73	26	43000	52000	.002
5	11	5.0	<b>L1150</b>	68	26	40000	48000	.002
6	10	3.0	<b>L1060</b>	47	16	40000	48000	.002
6	12	4.0	<b>L1260</b>	85	32	36000	43000	.003
6	13	5.0	<b>L1360</b>	115	49	34000	41000	.004
7	14	5.0	<b>L1470</b>	126	55	31000	37000	.004
8	12	3.5	<b>L1280</b>	52	20	32000	39000	.002
8	14	4.0	<b>L1480</b>	84	32	29000	35000	.004
8	16	5.0	<b>L1680</b>	170	79	27000	32000	.006
9	17	5.0	<b>L1790</b>	183	88	25000	30000	.008
9	20	6.0	<b>L2090</b>	225	108	23000	28000	.016
10	19	7.0	<b>L1910</b>	217	89	23000	28000	.017

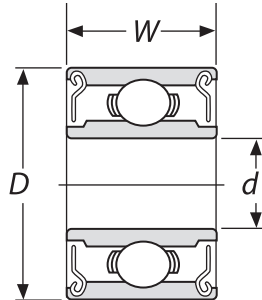
\* Also available open. Width may vary.



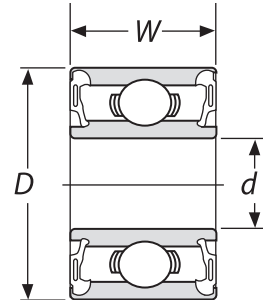


# MINIATURE BALL BEARINGS

## “R” SERIES - INCH



**ZZ**



**2RS**

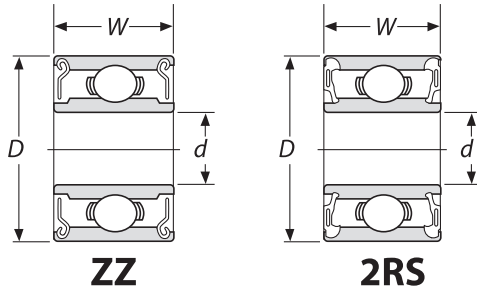
Bore in d	OD in D	Width (ZZ or 2RS) in W	Width (Open) in W	Bearing Number	Basic Load Rating Pounds		Speed Rating		Weight (lb)
					Dynamic	Static	Grease RPM	Oil RPM	
0.1250	0.3750	0.1562	0.1562	<b>R2</b>	144	50	49000	55000	0.003
0.1250	0.5000	0.1719	0.1719	<b>R2A</b>	254	90	31000	5100	0.004
0.1875	0.5000	0.1960	0.1562	<b>R3</b>	295	110	41000	48000	0.005
0.2500	0.6250	0.1960	0.1960	<b>R4</b>	335	139	44000	54000	0.010
0.2500	0.7500	0.2812	0.2188	<b>R4A</b>	525	200	39000	48000	0.017
0.3750	0.8750	0.2812	0.2188	<b>R6</b>	745	315	31000	38000	0.024
0.5000	1.1250	0.3125	0.2500	<b>R8</b>	1148	535	24000	29000	0.039
0.6250	1.3750	0.3438	0.2812	<b>R10</b>	1347	734	18000	22000	0.081
0.7500	1.6250	0.4375	0.3125	<b>R12</b>	1770	1020	16000	19000	0.100
0.8750	1.8750	0.5000	0.3750	<b>R14</b>	2270	1220	14000	17000	0.160
1.0000	2.0000	0.5000	0.3750	<b>R16</b>	2261	1350	13000	16000	0.190
1.1250	2.1250	0.5000	0.3750	<b>R18</b>	2810	1690	12000	14000	0.270
1.2500	2.2500	0.5000	0.3750	<b>R20</b>	3150	2090	11000	13000	0.300
1.3750	2.5000	0.5625	0.4375	<b>R22</b>	3480	2380	10000	12000	0.460

\* Width of open bearing is narrower. Some sizes available with snap ring (NR suffix). Contact factory.  
Also available open (without shields or seals).



# RADIAL BALL BEARINGS

INCH 1600 SERIES



Bore in d	OD in D	Width (ZZ or Open) in W	Width (2RS) in W	Bearing Number	Basic Load Rating Pounds		Weight (lb)
					Dynamic	Static	
0.1875	0.6875	0.2500	0.3125	<b>1601</b>	491	194	0.015
0.2500	0.6875	0.2500	0.3125	<b>1602</b>	491	194	0.013
0.3125	0.8750	0.2812	0.3438	<b>1603</b>	747	317	0.024
0.3750	0.8750	0.2812	0.3438	<b>1604</b>	747	317	0.035
0.3125	0.9062	0.3125	0.3125	<b>1605</b>	935	390	0.026
0.3750	0.9062	0.3125	0.3125	<b>1606</b>	935	390	0.030
0.4375	0.9062	0.3125	0.3125	<b>1607</b>	935	390	0.035
0.3750	1.1250	0.3750	0.3750	<b>1614</b>	1047	465	0.077
0.4375	1.1250	0.3750	0.3750	<b>1615</b>	1047	465	0.071
0.5000	1.1250	0.3750	0.3750	<b>1616</b>	1047	465	0.066
0.4375	1.3750	0.4375	0.4375	<b>1620</b>	1525	747	0.110
0.5000	1.3750	0.4375	0.4375	<b>1621</b>	1525	747	0.106
0.5625	1.3750	0.4375	0.4375	<b>1622</b>	1525	747	0.101
0.6250	1.3750	0.4375	0.4375	<b>1623</b>	1525	747	0.088
0.6250	1.6250	0.5000	0.5000	<b>1628</b>	2109	1150	0.159
0.7500	1.6250	0.5000	0.5000	<b>1630</b>	2109	1150	0.143
0.6250	1.7500	0.5000	0.5000	<b>1633</b>	2109	1150	0.203
0.7500	1.7500	0.5000	0.5000	<b>1635</b>	2109	1150	0.187
0.7500	2.0000	0.5625	0.5625	<b>1638</b>	3150	1785	0.265
0.8750	2.0000	0.5625	0.5625	<b>1640</b>	3150	1785	0.247
1.0000	2.0000	0.5625	0.5625	<b>1641</b>	3150	1785	0.221
1.1250	2.5000	0.6250	0.6250	<b>1652</b>	2880	1890	0.463
1.2500	2.5000	0.6250	0.6250	<b>1654</b>	2880	1890	0.419
1.2500	2.5625	0.6875	0.6875	<b>1657</b>	3369	2251	0.474
1.3125	2.5625	0.6875	0.6875	<b>1658</b>	3369	2251	0.441

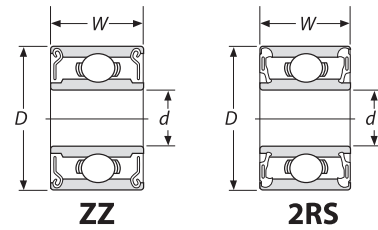
\* Some sizes available with snap ring (NR suffix). Contact factory.



www.bl-bearings.com

# RADIAL BALL BEARINGS

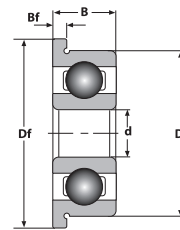
## METRIC 440C STAINLESS



Bore mm d	OD mm D	Width mm W	Bearing Number	Basic Load Rating		Speed Rating		Weight (lb)
				Dynamic Pounds	Static Pounds	Grease RPM	Oil RPM	
8	22	7	<b>SS608</b>	740	310	34000	40000	0.030
10	26	8	<b>SS6000</b>	1030	440	29000	34000	0.042
10	30	9	<b>SS6200</b>	1150	540	18000	30000	0.070
12	28	8	<b>SS6001</b>	1150	540	26000	30000	0.050
12	32	10	<b>SS6201</b>	1530	690	22000	26000	0.060
15	32	9	<b>SS6002</b>	1260	640	15000	28000	0.070
15	35	11	<b>SS6202</b>	1740	805	19000	23000	0.100
17	35	10	<b>SS6003</b>	1350	730	13000	26000	0.090
17	40	12	<b>SS6203</b>	2150	1080	12000	20000	0.150
20	42	12	<b>SS6004</b>	2110	1140	18000	21000	0.150
20	47	14	<b>SS6204</b>	2880	1490	11000	20000	0.240
25	47	12	<b>SS6005</b>	2260	1320	15000	18000	0.180
25	52	15	<b>SS6205</b>	3150	1770	9000	15000	0.280
30	55	13	<b>SS6006</b>	2970	1860	13000	15000	0.260
30	62	16	<b>SS6206</b>	4390	2540	11000	13000	0.440
35	62	14	<b>SS6007</b>	3600	2310	12000	14000	0.340
35	72	17	<b>SS6207</b>	5800	3400	9800	11000	0.630
40	68	15	<b>SS6008</b>	3750	2590	10000	12000	0.420

\* Cages and shields are constructed of 304 stainless. Larger sizes available upon request. Consult factory.

## FLANGED INCH 440C STAINLESS



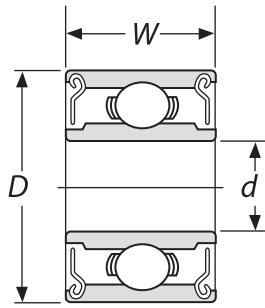
Bore in d	OD in D	Width B Open	Width B 1 or 2 Shields	Bearing Number	Flanged OD Df	Flanged Width Bf
.1250	0.3750	.1562	.1562	<b>SSFR2</b>	0.4400	.030
.1875	0.5000	.1562	.1960	<b>SSFR3</b>	0.5650	.042
.2500	0.6250	.1960	.1960	<b>SSFR4</b>	0.6900	.042
.3750	0.8750	.2188	.2812	<b>SSFR6</b>	0.9690	.062
.5000	1.1250	.2500	.3125	<b>SSFR8</b>	1.2250	.062

\* Flanged R Series also available in non-stainless, 52100 steel.

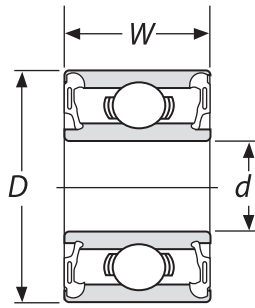


# MINIATURE BALL BEARINGS

## INCH 440C STAINLESS "R" SERIES



**ZZ**



**2RS**



Bore in d	OD in D	Width (ZZ or 2RS) in W	Width (Open) in W	Bearing Number	Basic Load Rating Pounds		Speed Rating		Weight (lb)
					Dynamic	Static	Grease RPM	Oil RPM	
0.1250	0.375	0.1562	0.1562	<b>SSR2</b>	144	50	49000	58000	0.003
0.1250	0.500	0.1719	0.1719	<b>SSR2A</b>	254	90	31000	51000	0.004
0.1875	0.500	0.1960	0.1562	<b>SSR3</b>	295	110	41000	48000	0.005
0.2500	0.625	0.1960	0.1960	<b>SSR4</b>	335	139	44000	54000	0.010
0.2500	0.750	0.2812	0.2188	<b>SSR4A</b>	525	200	39000	48000	0.017

\* Cages and shields are constructed of 304 stainless.

## INCH "INSTRUMENT TYPE" 440C STAINLESS

Bore in d	OD in D	Width in W	Bearing Number	Basic Load Rating Pounds		Speed Rating Grease RPM	Weight (lb)
				Dynamic	Static		
0.0937	0.1875	0.0937	<b>SSRI3332ZZ</b>	28	9	73000	0.001
0.1250	0.2500	0.1094	<b>SSRI418ZZ</b>	64	22	59000	0.001
0.1250	0.3125	0.1406	<b>SSRI518ZZ</b>	126	40	54000	0.002
0.1250	0.3750	0.1406	<b>SSRI618ZZ</b>	144	51	49000	0.002
0.1562	0.3125	0.1250	<b>SSRI5532ZZ</b>	75	30	51000	0.001
0.1875	0.3125	0.1250	<b>SSRI5632ZZ</b>	85	30	49000	0.001
0.1875	0.3750	0.1250	<b>SSRI6632ZZ</b>	160	60	46000	0.002
0.2500	0.3750	0.1250	<b>SSRI614ZZ</b>	45	22	43000	0.002
0.2500	0.5000	0.1875	<b>SSRI814ZZ</b>	185	80	39000	0.004
0.3125	0.5000	0.1562	<b>SSRI8516ZZ</b>	121	62	40000	0.003
0.3750	0.6250	0.1562	<b>SSRI1038ZZ</b>	96	53	30000	0.006
0.5000	0.7500	0.1562	<b>SSRI1212ZZ</b>	111	71	24000	0.007

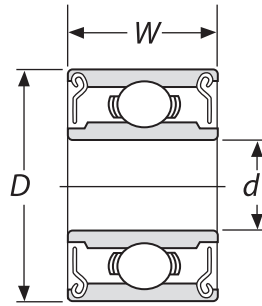
\* Open 2RS or LL (Teflon seals) may also be available. Open width may vary.  
Also available in ABEC 3 & 5 precision. Contact factory.



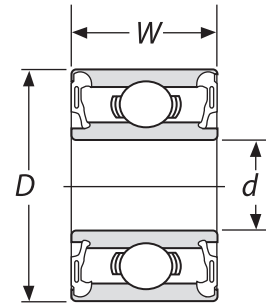


# RADIAL BALL BEARINGS

## SPECIALS



**ZZ**

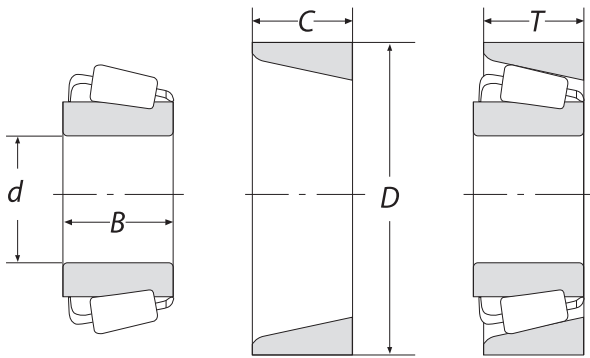


**2RS**

Bore in d	OD in D	Width in W	Bearing Number	Special Features
0.315	0.866	.236	<b>X117</b>	Special size bearing, open, light oil
0.3937	1.023	.3937	<b>W60002RS</b>	6000 2RS bearing wider than standard
0.500	1.375	.500	<b>LG 1/2</b>	Precision bearing replaces unground flanged bearings on lawn equipment
0.500	1.260	.394	<b>6201x1/2</b>	6201 bearing with .500 bore
0.500	1.378	.433	<b>6202x1/2</b>	6202 bearing with .500 bore
0.625	1.375	.500	<b>LG 5/8</b>	Precision bearing replaces unground flanged bearings on lawn equipment
0.625	1.375	.433	<b>99502H</b>	6202 2RS bearing with .625 bore, 1.375 O.D.
0.625	1.375	.433	<b>499502H</b>	6202 2RS bearing with .625 bore, 1.375 O.D., snap ring
0.625	1.378	.433	<b>6202x5/8</b>	6202 bearing with .625 bore
0.625	1.575	.472	<b>6203x5/8</b>	6203 bearing with .625 bore
0.640	1.5748	.720	<b>203KRR2</b>	Agricultural bearing with trash seal
0.750	1.575	.472	<b>6203x3/4</b>	6203 bearing with .750 bore
0.750	1.7805	.610	<b>Z9504B</b>	Special bearing with .610 width, 2 full contact seals
0.750	1.850	.551	<b>6204x3/4</b>	6204 bearing with .750 bore
0.750	1.625	.562	<b>LG 3/4</b>	Precision bearing replaces unground flanged bearings on lawn equipment
0.750	2.047	.8267	<b>559339x3/4</b>	Motorcycle wheel bearing
0.875	1.850	.551	<b>6204x7/8</b>	6204 bearing with .875 bore
1.000	2.047	.591	<b>6205x1</b>	6205 bearing with 1.00 bore
1.000	2.000	.625	<b>LG 1</b>	Precision bearing replaces unground flanged bearings on lawn equipment
1.000	2.047	.8267	<b>559339x1</b>	Motorcycle wheel bearing
1.1810	2.165	.9050	<b>A3917</b>	30mm bore double row bearing
1.250	2.835	.748	<b>6306x1-1/4</b>	6306 bearing with 1.250 bore



# TAPERED ROLLER BEARINGS



Bore inch $d$	OD inch $D$	inch $B$	inch $C$	inch $T$	Bearing Number	Basic Load Rating Pounds		Weight (lb)
						Dynamic	Static	
.6875	1.57	0.57	.42	.54	<b>LM11749/10</b>	5400	5400	0.2
.7500	1.78	0.75	.47	.61	<b>LM11949/10</b>	6400	6400	0.3
.8440	1.97	0.72	.55	.69	<b>M12649/10</b>	8500	8800	0.3
.8700	1.78	0.65	.47	.61	<b>LM12749/10</b>	6700	7600	0.3
.8700	1.81	0.65	.47	.61	<b>LM12749/11</b>	6700	7600	0.3
1.000	1.98	0.58	.42	.56	<b>L44643/10</b>	6500	7600	0.3
1.063	1.98	0.58	.42	.56	<b>L44649/10</b>	6500	7600	0.3
1.140	1.98	0.58	.42	.56	<b>L45449/10</b>	6300	6800	0.2
1.187	2.53	0.84	.66	.84	<b>M86649/10</b>	11600	14500	0.7
1.250	2.33	0.66	.47	.62	<b>LM67048/10</b>	7700	9200	0.4
1.375	2.56	0.72	.55	.71	<b>LM48548/10</b>	10500	12600	0.6
1.380	2.33	0.66	.47	.62	<b>L68149/10</b>	8000	10700	0.4
1.380	2.36	0.66	.47	.62	<b>L68149/11</b>	8000	10700	0.4
1.500	2.48	0.67	.53	.67	<b>JL69349/10</b>	8700	11800	0.4
1.625	2.89	0.72	.55	.77	<b>LM501349/10</b>	12600	15600	0.7
1.750	3.26	1.00	.75	.94	<b>25580/20</b>	17100	22000	1.2
1.785	2.89	0.78	.62	.77	<b>LM102949/10</b>	12100	17100	0.7
2.000	3.67	1.19	.94	1.2	<b>3780/3720</b>	23000	30000	1.9

\* Other sizes available. Contact factory.



# MOUNTED BALL BEARING UNITS

## BEARING FEATURES

BL's mounted bearing units are compact in design with sealing devices that ensure long-lasting performance. Standard bearing inserts have spherical ODs, enabling them to self-align in outer housings. Cylindrical OD inserts are also available. Standard housings are constructed of high quality grey iron. All BL ball bearing units have heavy-duty contact-type seals with a protective metal shroud or slinger on both sides. Long bearing life can be achieved by selecting the type of seal best for the application and operating condition. Standard units have dual seals. Triple lip seals are available as an option.

Shaft sizes less than 2" have clearance fit-ups. Shaft sizes that are 2" and above have light interference fit-ups.

Pillow block tolerance base to shaft is:

Bore	Tolerance
1/2 to 1-15/16 in	± .006 in
2 to 3-1/2 in	± .008 in

### Shaft Locking

Standard units utilize either set screws or eccentric locking collars to grip the shaft. Setscrew locking units employ two knurled cup point setscrews placed 120° apart. Special heat treating of the inner ring maintains softness around the set screw and provides secure tightening. Eccentric collar locking units provide locking for one directional applications. Concentric split locking collars provide locking for bi-directional applications and are available on request.

### Grease Fitting

All units can be relubricated through the grease fitting provided. The outer housing grease hole mates up with the bearing insert groove, which channels grease into the bearing. Refer to appendix for grease fitting options and dimensions.

Shaft Size	Grease Fitting Thread
Up to 1-7/16 in	1/4 - 28 UNF
1 -1/2 in & over	1/8 - 27 NPT

### Grease

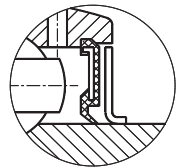
Bearings are supplied 35-40% filled with lithium based NLGI #2 grease and should be relubricated with a compatible grease. Refer to appendix for suggested greasing intervals.

### Temperature Limits

Units are designed to operate at full rating at temperatures of -40°F to 250°F. Special lubricants should be considered for temperatures beyond this range. Refer to appendix for grease properties and other available greases.

### Dual Seals

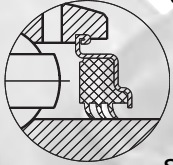
Dual seals are standard. A synthetic rubber oil seal is fixed in the outer ring and seals against the OD of the inner ring. In addition, a steel slinger is fixed to the inner ring and rotates with the shaft, protecting the inner seal and bearing from contaminants.



# MOUNTED BALL BEARING UNITS

## Triple Lip Seals

These special premium seals are available to protect against contamination in severe environments. They consist of a synthetic rubber seal protected with a steel shield fixed in the outer ring with three separate sealing lips wiping the inner ring OD. They are specified by adding the suffix "R3" to the model number.

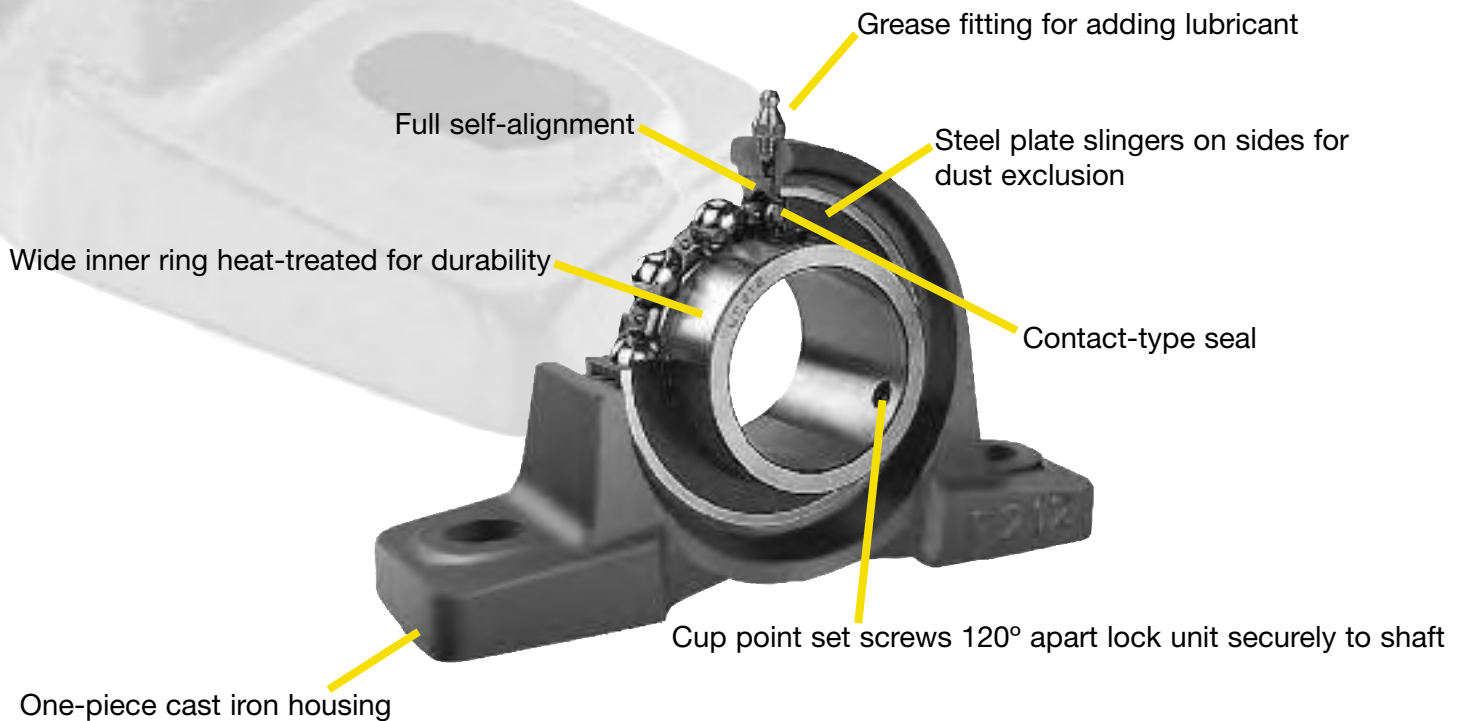


## Solid Bases

Standard pillow block units have solid bases.

## Packaging

Mounted bearings and inserts are typically sealed in plastic bags and packaged in separate cartons.





# MOUNTED BALL BEARING UNITS

## PILLOW BLOCKS

UCP, UCPX, HCP, UCPK, HCPK, SAP, SBP

The most extensively used bearing units. UCP, UCPK and SBP are fixed to the shafts with set screws in the inner ring. HCP and SAP are fixed to the shafts with eccentric locking collars. UCPK and HCPK are low base.



## HIGH CENTER HEIGHT PILLOW BLOCKS

UCPH, HCPH

Pillow blocks with higher center heights.



## TAPPED BASE PILLOW BLOCKS

UCPA, HCPA

Compact pillow blocks for limited space applications. Mounting is done with threaded bolts into the base.



## FOUR-BOLT SQUARE FLANGE UNITS

UCF, UCFX, HCF, SAF, SBF

Units bolted to the sides of equipment with four bolts. Set screws and eccentric locking collars have the same mounting methods as housings with the "P" suffix.



## ROUND FLANGE UNITS

UCFC, HCFC

Four-bolt units installed where concentricity is required.



## TWO-BOLT FLANGE UNITS

UCFL, UCFLX, HCFL, SBFL

Housing saves space and weight and is installed with two bolts.



## TWO AND THREE-BOLT FLANGE UNITS

SALF, SBLF

LF-type two-bolt flange units are used with SA and SB inserts only.



SAFCT, SBFCT (ductile iron),

SALFTC, SBLFTC (cast iron)

Three-bolt flange units are used with SA and SB inserts only.



## FLANGE BRACKET UNITS

UCFB

This mounting has three set holes on only one side of the flange.

Used where mounting space is limited and the housing can be fixed on one side only.



## ADJUSTABLE FLANGE UNITS

UCFA



Unit has a two-bolt base with one adjustable side, enabling the distance from the center of the shaft to be varied.

## TAKE UP UNITS

UCT, HCT, UCST, UCSTX

Used where the center of the main shaft requires free alignment.



## PRESSED HOUSING PILLOW BLOCKS

SAPP, SBPP

Lightweight unit consisting of two pressed steel plates. Used in equipment where the rotating speed is low or the machine

has a light load. Inserts for pressed housings are usually SA or SB series.



## PRESSED HOUSING ROUND FLANGE UNITS

SAPF, SBPF

Lightweight housing consisting of two pressed steel plates mounted with SA or SB inserts.



## PRESSED HOUSING FLANGE UNITS

SAPFT, SBPFT

Has the same function as pressed round flange housings. Used where mounting space is limited.



# MOUNTED BALL BEARING UNITS

## PRESSED HOUSING OVAL FLANGE UNITS

SAPFL, SBPFL

Compact unit has only two bolt holes and requires smaller mounting space. Function is the same as other pressed flange housings.



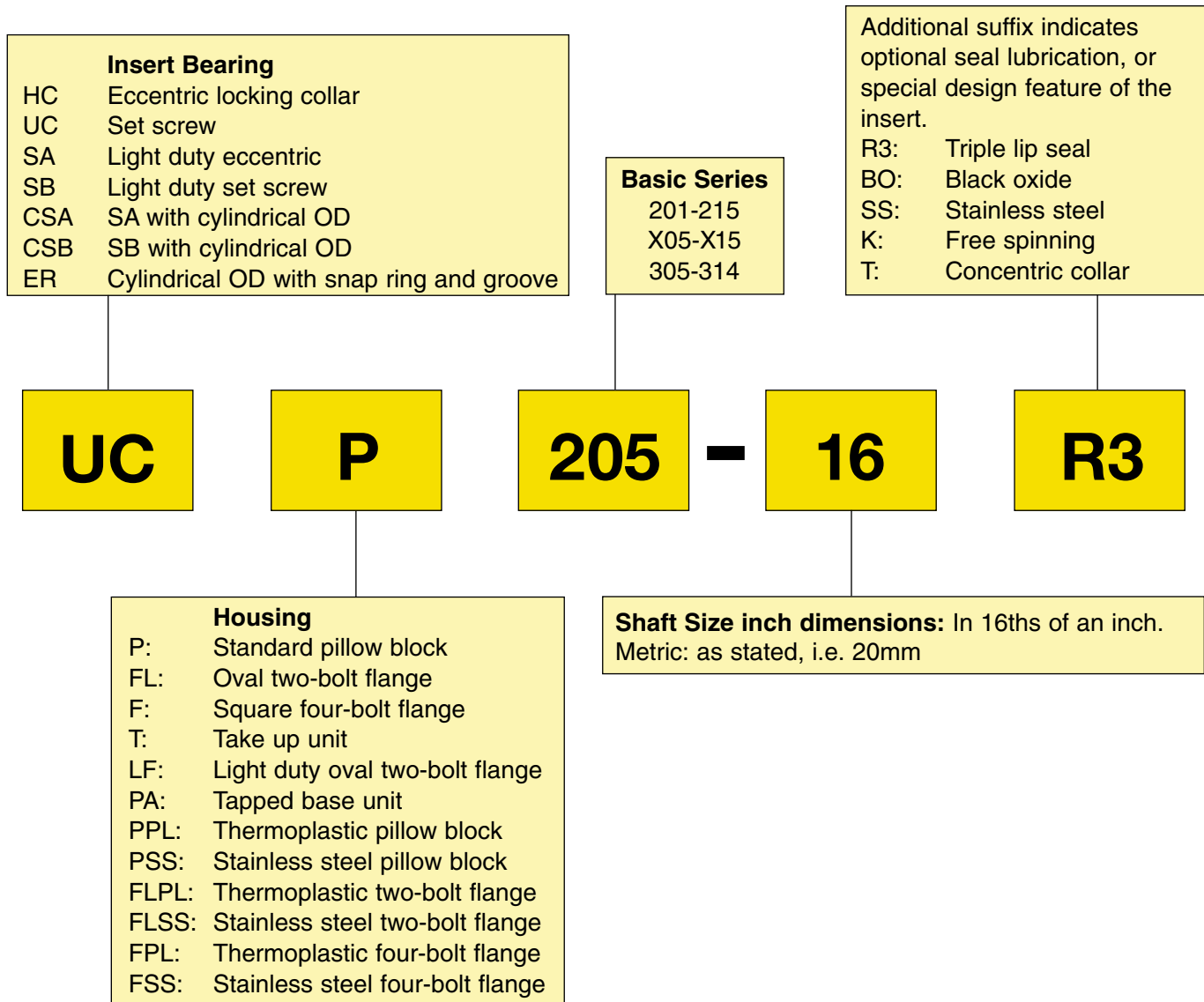
## DISK HARROW UNITS

Flange disc units incorporate two heavy gauge pressed steel plates riveted to form a housing; fitted with two rubber O-rings surrounding a triple lip sealed bearing. Units are supplied with four mounting holes (square and round) and can be relubricated.



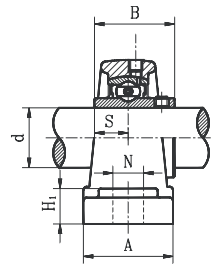
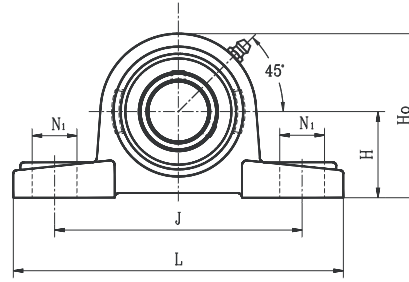
### PART NUMBER NOMENCLATURE

Each BL Mounted Ball Bearing part number is a unique combination indicating the bearing's type, series, housing and shaft size.



# PILLOW BLOCKS

## UCP STANDARD DUTY SET SCREW LOCKING TYPE



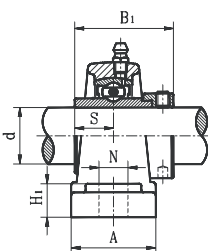
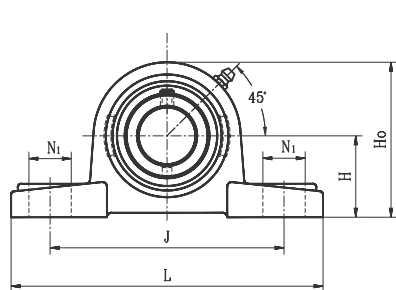
- Cast iron housing - solid base.
- Wide inner ring bearing

Unit No.	Shaft Dia. d		Dimension (in) (mm)										Bolt Size (in)	Bearing No.	Housing No.	Weight (lb)
	(in.)	(mm)	H	L	J	A	N	N <sub>1</sub>	H <sub>1</sub>	H <sub>0</sub>	S	B				
UCP201S 201-8S 202S 202-10S 203S 203-11S	1/2 5/8 11/16	12 15 17	1-3/16 30.2	4-15/16 125	3-5/8 92	1-1/4 32	15/32 12	5/8 16	1/2 13	2-1/4 57	7/16 11.5	1-5/64 27.4	3/8	UC201 201-8S 202S 202-10S 203S 203-11S	P203S	1.32
UCP201 201-8 202 202-10 203 203-11	1/2 5/8 11/16	12 15 17	1-3/16 30.2	5 127	3-3/4 96	1-15/32 37	1/2 13	1/2 13	9/16 14	2-13/32 60.7	15/32 12.7	1-7/32 31	3.8	UC201 201-8 202 202-10 203 203-11	P203	1.71
UCP204-12 204	3/4	20	1-5/16 33.3	5 127	3-3/4 96	1-15/32 37	1/2 13	5/8 16	9/16 14	2-1/2 63.8	15/32 12.7	1-7/32 31	3/8	UC204-12 204	P204	1.71
UCP205-14 205-15 205 205-16	7/8 15/16 1	25	1-7/16 36.5	5-1/2 140	4-1/8 105	1-1/2 38	1/2 13	3/4 19	19/32 15	2-3/4 69.5	9/16 14.3	1-11/32 34	1/2	UC205-14 205-15 205 205-16	P205	2.10
UCP206-18 206 206-19 206-20	1-1/8 1-3/16 1-1/4	30	1-11/16 42.9	6-5/16 160	4-3/4 121	1-23/32 44	9/16 14	3/4 19	5/8 16	3-7/32 82	5/8 15.9	1-1/2 38.1	1/2	UC206-18 206 206-19 206-20	P206	3.24
UCP207-20 207-21 207-22 207 207-23	1-1/4 1-5/16 1-3/8 1-7/16	35	1-7/8 47.6	6-9/16 167	5 127	1-7/8 48	19/32 15	3/4 19	21/32 17	3-5/8 92	11/16 17.5	1-11/16 42.9	1/2	UC207-20 207-21 207-22 207 207-23	P207	4.05
UCP208-24 208-25 208	1-1/2 1-9/16	40	1-15/16 49.2	7-3/32 180	5-3/8 136	2-1/18 52	19/32 15	13/16 21	23/32 18	3-27/32 98	3/4 19	1-15/16 49.2	1/2	UC208-24 208-25 208	P208	5.15
UCP209-26 209-27 209-28 209	1-5/8 1-11/16 1-3/4	45	2-1/8 54	7-7/16 189	5-3/4 146	2-1/8 54	19/32 15	13/16 21	25/32 20	4-5/32 105.5	3/4 19	1-15/16 49.2	1/2	UC209-26 209-27 209-28 209	P209	6.16
UCP210-30 210-31 210	1-7/8 1-15/16	50	2-1/4 57.2	8-1/32 204	6-1/4 159	2-1/4 57	3/4 19	7/8 22	13/16 21	4-13/32 112.2	3/4 19	2-1/32 51.6	5/8	UC210-30 210-31 210	P210	7.11
UCP211-32 211-34 211 211-35	2 2-1/8 2-3/16	55	2-1/2 63.5	8-17/32 217	6-25/32 172	2-3/8 60	3/4 19	7/8 22	7/8 22	4-29/32 124.5	7/8 22.2	2-3/16 55.6	5/8	UC211-32 211-34 211 211-35	P211	8.60
UCP212-36 212 212-38 212-39	2-1/4 2-3/8 2-7/16	60	2-3/4 69.9	9-3/8 238	7-5/16 186	2-19/32 66	3/4 19	1 25	15/16 24	5-13/32 137	1 25.4	2-9/16 65.1	5/8	UC212-36 212 212-38 212-39	P212	12.12
UCP213-40 213	2-1/2	65	3 76.2	10-5/16 262	8 203	2-3/4 70	29/32 23	1-3/16 29	1-1/32 26	5-7/8 149	1 25.4	2-9/16 65.1	3/4	UC213-40 213	P213	12.34
UCP214-44 214	2-3/4	70	3-1/8 79.4	10-15/32 266	8-9/32 210	2-27/32 72	29/32 23	1-5/32 29	1-1/16 27	6-3/32 155	1-3/16 30.2	2-15/16 74.6	3/4	UC214-44 214	P214	14.56
UCP215 215-48	3	75	3-1/4 82.6	10-25/32 274	8-17/32 217	2-29/32 74	1 25	1/5/32 29	1/3/32 28	6-3/8 161.6	1-5/16 33.3	3-1/16 77.8	3/4	UC215 215-48	P215	16.09
UCP216		80	3-1/2 88.9	11-1/2 292	9-1/8 232	3-1/16 78	1 25	1-3/16 30	1-3/16 30	6-27/32 174	1-5/16 33.3	3-1/4 82.6	3/4	UC216	P216	18.29
UCP217-52 217	3-1/4	85	3-3/4 95.2	12-7/32 310	9-23/32 247	3-9/32 83	1 25	1-3/16 30	1-1/4 32	7-5/16 186	1-11/32 34.1	3-3/8 85.7	3/4	UC217-52 217	P217	23.76
UCP218-56 218	3-1/2	90	4 101.6	12-27/32 326	10-5/16 262	3-15/32 88	1-1/16 27	1-3/16 30	1-5/16 33	7-25/32 198	1-9/16 39.7	3-3/4 96	3/4	UC218-56 218	P218	28.7

\* Dual seal standard. Triple lip seal (R3 suffix) optional.



## HCP STANDARD DUTY ECCENTRIC LOCKING COLLAR TYPE



- Cast iron housing - solid base.
- Wide inner ring bearing

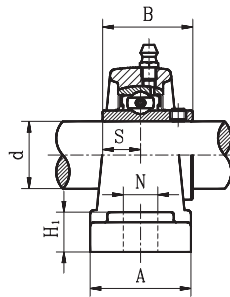
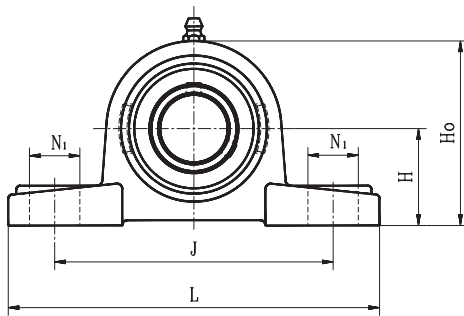
Unit No.	Shaft Dia. d		Dimension (in) (mm)									Bolt Size (in)	Bearing No.	Housing No.	Weight (lb)	
	(in.)	(mm)	H	L	J	A	N	N <sub>1</sub>	H <sub>1</sub>	H <sub>0</sub>	S					B <sub>1</sub>
HCP201S 201-8 202S 202-10S 203S 203-11S	1/2 5/8 11/16	12 15 17	1-3/16 30.2	4-15/16 125	3-5/8 92	1-1/4 32	15/32 12	5/8 16	1/2 13	2-1/4 57	9/16 13.9	1-15/32 37.3	3/8	HC201S 201-8 202S 202-10S 203S 203-11S	P203S	1.5
HCP201 201-8 202 202-10 203 203-11	1/2 5/8 11/16	12 15 17	1-3/16 30.2	5 127	3-3/4 96	1-15/32 37	1/2 13	3/4 19	9/16 14	2-13/32 60.7	11/16 17	1-23/32 43.5	3.8	HC201 201-8 202 202-10 203 203-11	P203	1.58
HCP204-12 204	3/4 20	20	1-5/16 33.35	5 127	3-3/4 96	1-15/32 37	1/2 13	5/8 16	9/16 14	2-1/2 63.8	11/16 17	1-25/32 43.5	3/8	HC204-12 204	P204	1.59
HCP205-14 205-15 205 205-16	7/8 15/16 1	25	1-7/16 36.5	5-1/2 140	4-1/8 105	1-1/2 38	1/2 13	3/4 19	19/32 15	2-3/4 69.5	11/16 17.4	1-3/4 44.3	3/8	HC205-14 205-15 205 205-16	P205	1.76
HCP206-18 206 206-19 206-20	1-1/8 1-3/16 1-1/4	30	1-11/16 42.9	6-5/16 160	4-3/4 121	1-25/32 44	9/16 14	3/4 19	5/8 16	3-7/32 82	5/8 18.2	1-29/32 48.3	1/2	HC206-18 206 206-19 206-20	P206	2.97
HCP207-20 207-21 207-22 207 207-23	1-1/4 1-5/16 1-3/8 1-7/16	35	1-7/8 47.6	6-9/16 167	4-31/32 126	1-7/8 48	19/32 15	3/4 19	21/32 17	3-5/8 92	3/4 18.8	2 51.1	1/2	HC207-20 207-21 207-22 207 207-23	P207	3.74
HCP208-24 208-25 208	1-1/2 1-9/16	40	1-15/16 49.2	7-3/32 180	5-3/8 136	2-1/8 54	19/32 15	13/16 21	23/32 18	3-27/32 98	27/32 21.4	2-7/32 56.3	1/2	HC208-24 208-25 208	P208	5.60
HCP209-26 209-27 209-28 209	1-5/8 1-11/16 1-3/4	45	2-1/8 54	7-7/16 189	5-3/4 146	2-1/8 54	19/32 15	13/16 21	25/32 20	4-5/32 105.5	27/32 21.4	2-7/32 56.3	1/2	HC209-26 209-27 209-28 209	P209	5.34
HCP210-30 210-31 210	1-7/8 1-15/16	50	2-1/4 57.2	8-1/32 204	6-1/4 159	2-1/4 57	3/4 19	7/8 22	13/16 21	4-13/32 112.2	31/32 24.6	2-15/32 62.7	5/8	HC210-30 210-31 210	P210	6.05
HCP211-32 211-34 211 211-35	2 2-1/8 2-3/16	55	2-1/2 63.5	8-17/32 217	6-25/32 172	2-3/8 60	3/4 19	7/8 22	7/8 22	4-29/32 124.5	1-3/32 27.7	2-13/16 71.3	5/8	HC211-32 211-34 211 211-35	P211	7.83
HCP212-36 212 212-38 212-39	2-1/4 2-3/8 2-7/16	60	2-3/4 69.9	9-3/8 238	7-5/16 186	2-19/32 66	3/4 19	1 25	15/16 24	5-13/32 137	1-7/32 30.9	3-1/16 77.7	5/8	HC212-36 212 212-38 212-39	P212	11.5
HCP213-40 213	2-1/2	65	3 76.2	10-5/16 262	8 203	2-3/4 70	29/32 23	1-5/32 29	1-1/32 26	5-7/8 149	1-11/32 34.1	3-3/8 85.7	3/4	HC213-40 213	P213	13.9
HCP214-44 214	2-3/4	70	3-1/8 79.4	10-15/32 266	8-9/32 210	2-27/32 72	29/32 23	1-5/32 29	1-1/16 27	6-3/32 155	1-11/32 34.1	3-3/8 85.7	3/4	HC214-44 214	P214	15.43
HCP215 215-48	3	75	3-1/4 82.6	10-25/32 274	8-17/32 217	2-29/32 74	1 25	1-5/32 29	1-3/32 28	6-3/8 161.6	1-15/32 37.3	3-5/8 92.1	3/4	HC215 215-48	P215	17.19
HCP216		80	3-1/2 88.9	11-1/2 292	9-1/8 232	3-1/16 78	1 25	1-3/16 30	1-3/16 30	6-27/32 174	1-15/32 37.3	3-3/4 95.2	3/4	HC216	P216	18.29
HCP217-52 217	3-1/4	85	3-3/4 95.2	12-7/32 310	9-23/32 247	3-9/32 83	1 25	1-3/16 30	1-1/4 32	7-5/16 186	15/16 23.4	2-7/8 73.2	3/4	HC217-52 217	P217	24.5
HCP218-56 218	3-1/2	90	4 101.6	12-27/32 326	10-5/16 262	3-15/32 88	1-1/16 27	1-3/16 30	1-5/16 33	7-25/32 198	31/32 24.5	2-27/32 72.5	7/8	HC218-56 218	P218	29.0

\* Dual seal standard. Triple lip seal (R3 suffix) optional.



# PILLOW BLOCKS

## UCPX MEDIUM DUTY SET SCREW LOCKING TYPE



- Cast iron housing - solid base
- Wide inner ring bearing

Unit No.	Shaft Dia. d		Dimension (in) (mm)										Bolt Size (in)	Bearing No.	Housing No.	Weight (lb)
	(in.)	(mm)	H	L	J	A	N	N1	H1	H0	S	B				
UCPX05-16 UCPX05-25MM	1	25	1-3/4 44.4	6-9/32 159	4-11/16 119	2-1/32 51	11/16 17	13/16 20	11/16 17	3-3/8 85	21/32 15.9	1-1/2 38.1	9/16	UCX05-16 UCX05-25MM	PX05	3.306
UCPX06-18 UCPX06-19 UCPX06-20 UCPX06-30MM	1-1/8 1-3/16 1-1/4	30	1-29/32 47.6	6-29/32 175	5 127	2-5/32 54	11/16 17	13/16 20	13/16 20	3-11/16 93	11/16 17.5	1-11/16 42.9	9/16	UCX06-18 UCX06-19 UC207-20 UCX06-30MM	PX06	4.629
UCPX07-20 UCPX07-22 UCPX07-23 UCPX07-35MM	1-1/4 1-3/8 1-7/16	35	2-5/32 54	8 203	5-11/16 144	2-1/4 57	11/16 17	13/16 20	27/32 21	4-5/32 105	3/4 19	1-15/16 49.2	9/16	UCX07-20 UCX07-22 UCX07-23 UCX07-35MM	PX07	5.952
UCPX08-24 UCPX08-40MM	1-1/2	40	2-5/16 58.7	8-3/4 222	6-5/32 156	2-9/16 65	13/16 20	29/32 23	29/32 23	4-7/16 112	3/4 19	1-15/16 49.2	5/8	UCX08-24 UCX08-40MM	PX08	7.716
UCPX09-26 UCPX09-27 UCPX09-28 UCPX09-45MM	1-5/8 1-11/16 1-3/4	45	2-5/16 58.7	8-3/4 222	6-5/32 156	2-21/32 67	13/16 20	29/32 23	1 25	4-19/32 116	3/4 19	2-1/32 51.6	5/8	UCX-09-26 UCX-09-27 UCX-09-28 UCX09-45MM	PX09	8.157
UCPX10-30 UCPX10-31 UCPX10-32 UCPX10-50MM	1-7/8 1-15/16 2	50	2-1/2 63.5	9-15/32 240	6-3/4 171	2-13/16 71	13/16 20	29/32 23	31/32 24	4-31/32 126	7/8 22	2-7/32 55.6	5/8	UCX10-30 UCX10-31 UC211-32 UCX10-50MM	PX10	10.141
UCPX11-34 UCPX11-35 UCPX11-36 UCPX11-55MM	2-1/8 2-3/16 2-1/4	55	2-3/4 69.8	10-1/4 260	7-1/4 184	3-1/8 79	1 25	1-1/8 28	1-5/32 29	5-13/32 137	1 25.4	2-19/32 65.1	3/4	UCX11-34 UCX11-35 UC212-36 UCX11-55MM	PX11	14.330
UCPX12-38 UCPX12-39 UCPX12-60MM	2-3/8 2-7/16	60	3 76.2	11 280	8 203	3-7/32 81	1 25	1-1/8 28	1-1/4 31	5-7/8 149	1 25.4	2-19/32 65.1	3/4	UCX12-38 UCX12-39 UCX12-60MM	PX12	16.975
UCPX13-40 UCPX13-65MM	2-1/2	65	3 76.2	12-19/32 286	8 203	3-9/32 83	1 25	1-1/8 28	1-5/16 33	6 152	1-7/32 30.2	2-15/16 74.6	3/4	UCX13-40 UCX13-65MM	PX13	17.857
UCPX14-43 UCPX14-44 UCPX14-70MM	2-11/16 2-3/4	70	3-1/2 88.9	12-19/32 320	9-1/32 229	3-3/8 85	1-3/32 27	1-3/16 30	1-11/32 34	6-23/32 170	1-5/16 33.3	3-3/32 77.8	7/8	UCX14-43 UCX14-44 UCX14-70MM	PX14	22.487
UCPX15-47 UCPX15-48 UCPX15-75MM	2-15/16 3	75	3-1/2 88.9	13 330	9-1/32 229	3-5/8 92	1-3/32 27	1-3/16 30	1-13/32 35	6-29/32 175	1-5/16 33.3	3-9/32 82.6	7/8	UCX15-47 UCX15-48 UCX15-75MM	PX15	23.809



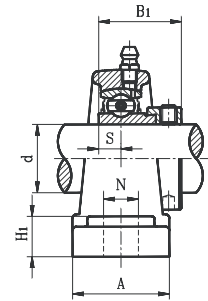
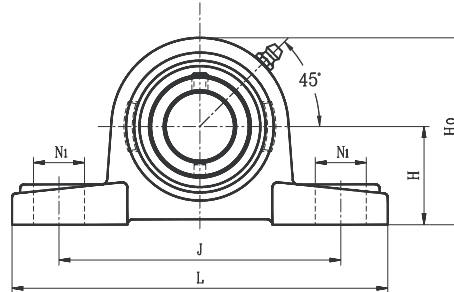






# PILLOW BLOCKS

## SAP LIGHT DUTY ECCENTRIC LOCKING COLLAR TYPE



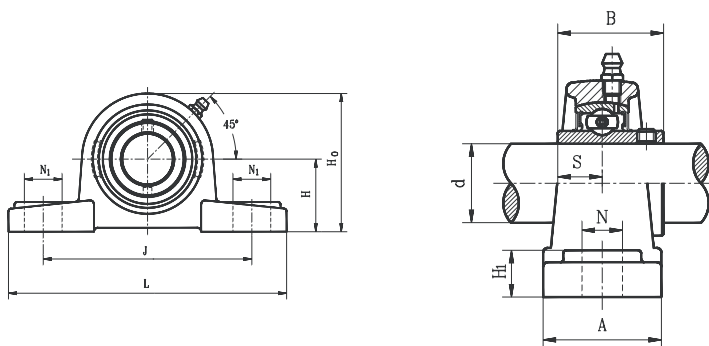
- Cast iron housing - solid base.
- Narrow inner ring bearing

Unit No.	Shaft Dia. d		Dimension (in) (mm)										Bolt Size (in)	Bearing No.	Housing No.	Weight (lb)	
	(in.)	(mm)	H	L	J	A	N	N <sub>1</sub>	H <sub>1</sub>	H <sub>0</sub>	S	B <sub>1</sub>					
SAP201G		12															
201-8G	1/2	15	1-3/16	4-15/16	3-5/8	1-1/4	15/32	5/8	1/2	2-1/4	1/4	1-1/8	3/8	SA201G 201-8G 202G 202-10G 203G 203-11G	P203S	1.43	
202G	5/8	17	30.2	125	92	32	12	16	13	57.0	6.5	28.6					
202-10G																	
203G	11/16																
SAP204-12G	3/4	20	1-5/16	5	3-25/32	1-15/32	1/2	5/8	9/16	2-1/2	9/32	1-7/32	3.8	SA204-12G 204G	P204	1.43	
204G			33.3	127	96	37	13	16	14	63.8	7.5	30.9					
SAP205-14G	7/8		1-7/16	5-1/2	4-1/8	1-1/2	1/2	3/4	19/32	2-3/4	9/32	1-7/32	3/8	SA205-14G 205-15G 205G 205-16G	P205	1.87	
205-15G	15/16		36.5	140	105	38	13	19	15	69.5	7.5	30.9					
205G	25																
205-16G	1																
SAP206-18G	1-1/8		1-11/16	6-5/16	4-25/32	1-23/32	9/16	3/4	5/8	3-7/32	11/32	1-13/32	1/2	SA206-18G 206G 206-19G 206-20G	P206	3.08	
206G	30		42.9	160	121	44	14	19	16	82.0	9.0	35.7					
206-19G	1-3/16																
206-20G	1-1/4																
SAP207-20G	1-1/4		1-7/8	6-9/16	4-31/32	1-7/8	19/32	3/4	11/16	3-5/8	3/8	1-17/32	1/2	SA207-20G 207-21G 207-22G 207G 207-23G	P207	3.70	
207-21G	1-5/16		47.6	167	126	48	15	19	17	92.0	9.5	38.9					
207-22G	1-3/8																
207G	35																
SAP208-24G	1-1/2		1-15/16	7-3/32	5-11/32	2-1/16	19/32	13/16	23/32	7/8	7/16	23/32	1/2	SA208-24G 208-25G 208G	P208	4.66	
208-25G	1-9/16		49.2	180	136	52	15	21	18	98.0	11.0	43.7					
SAP209-26G	1-5/8		2-1/8	7-7/16	5-3/4	2-1/8	19/32	53/64	25/32	4-5/32	7/16	1-23/32	1/2	SA209-26G 209-27G 209-28G 209G	P209	5.26	
209-27G	1-11/16		54.0	189	146	54	15	21	20	105.5	11.0	43.7					
209-28G	1-3/4																
209G	45																
SAP210-30G	1-7/8		2-1/4	8-1/32	6-1/4	2-1/4	3/4	7/8	13/16	4-13/32	7/16	23/32	5/8	SA210-30G 210-31G 210G	P210	5.70	
210-31G	1-15/16		57.2	204	159	57	19	22	21	112.2	11.0	43.7					
SAP211-32G	2		2-1/2	8-17/32	6-25/32	2-3/8	3/4	7/8	7/8	4-29/32	15/32	1-29/32	5/8	SA211-32G 211-34G 211G 211-35G	P211	7.39	
211-34G	2-1/8		63.5	217	172	60	19	22	22	124.5	12.0	48.4					
211G	55																
211-35G	2-3/16																
SAP212-36G	2-1/4		2-3/4	9-3/8	7-5/16	2-19/32	3/4	31/32	15/16	5-13/32	15/32	1-15/16	5/8	SA212-36G 212G 212-38G 212-39G	P212	11.35	
212G	60		69.9	238	186	66	19	25	24	137.0	12.0	49.3					
212-38G	2-3/8																
212-39G	2-7/16																

\* Full cover metal shroud seal standard. Full contact rubber seal (2RS suffix) optional.  
Non-relubricatable units also available (remove G suffix). Contact factory.



## UCPK STANDARD DUTY SET SCREW TYPE, LOW CENTER HEIGHT



- Cast iron housing - solid base.
- Wide inner ring bearing

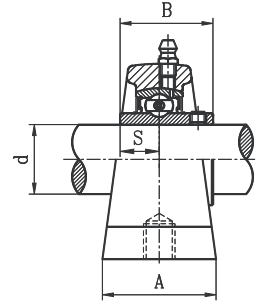
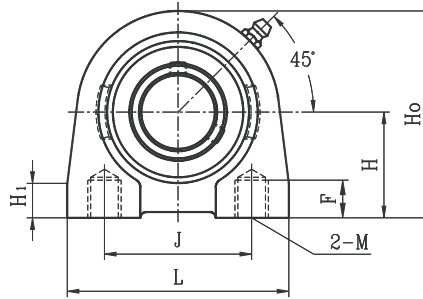
Unit No.	Shaft Dia. d		Dimension (in) (mm)									Bolt Size (in)	Bearing No.	Housing No.	Weight (lb)	
	(in.)	(mm)	H	L	J	A	N	N <sub>1</sub>	H <sub>1</sub>	H <sub>0</sub>	S					B
<b>UCPK201S</b> 201-8S 202S 202-10S 203S 203-11S	1/2 5/8 11/16	12 15 17	1-1/16 27.0	4-3/4 121	3-5/8 92	1-3/8 35	7/16 11	9/16 14	1/2 13	2-1/8 54	7/16 11.5	1-3/32 27.4	3/8	UC201 201-8S 202S 202-10S 203S 203-11S	PK203	1.32
<b>UCPK201</b> 201-8 202 202-10 203 203-11 204-12 204	1/2 5/8 11/16 3/4	12 15 17 20	1-1/4 31.8	5-1/32 128	3-3/4 95	1-1/2 38	7/16 11	9/16 14	9/16 14	2-15/32 63	1/2 12.7	1-7/32 31.0	3/8	UC201 201-8 202 202-10 203 203-11 204-12 204	PK204	1.50
<b>UCPK205-14</b> 205-15 205 205-16	7/8 15/16 1	25	1-5/16 33.3	5-1/2 140	4-1/8 105	1-9/16 40	7/16 11	9/16 14	19/32 15	2-5/8 66.5	9/16 14.3	1-11/32 34.0	3/8	UC205-14 205-15 205 205-16	PK205	1.58
<b>UCPK206-18</b> 206 206-19 206-20	1-1/8 1-3/16 1-1/4	30	1-9/16 39.7	6-5/16 160	4-3/4 121	1-3/4 44	9/16 14	3/4 19	21/32 17	3-1/8 79	5/8 15.9	1-1/2 38.1	1/2	UC206-18 206 206-19 206-20	PK206	2.42
<b>UCPK207-20</b> 207-21 207-22 207 207-23	1-1/4 1-5/16 1-3/8 1-7/16	35	1-13/16 46.0	6-19/32 167	5 127	1-29/32 48	9/16 14	3/4 19	23/32 18	3-19/32 91	11/16 17.5	1-11/16 42.9	1/2	UC207-20 207-21 207-22 207 207-23	PK207	3.26
<b>UCPK208-24</b> 208-25 208	1-1/2 1-9/16	40	1-15/16 49.2	7-1/8 181	5-1/2 140	2-1/16 52	9/16 14	3/4 19	3/4 19	3-7/8 98	3/4 19.0	1-15/16 49.2	1/2	UC208-24 208-25 208	PK208	4.14
<b>UCPK209-26</b> 209-27 209-28 209	1-5/8 1-11/16 1-3/4	45	2-1/16 52.4	7-7/16 189	5-3/4 146	2-1/8 54	9/16 14	3/4 19	25/32 20	4-1/8 105	3/4 19.0	1-15/16 49.2	1/2	UC209-26 209-27 209-28 209	PK209	4.62
<b>UCPK210-30</b> 210-31 210	1-7/8 1-15/16	50	2-3/16 55.6	8 203	6-1/4 159	2-1/4 57	9/16 14	3/4 19	27/32 21	4-3/8 111.5	3/4 19.0	2-1/32 51.6	1/2	UC210-30 210-31 210	PK210	5.72
<b>UCPK211-32</b> 211-34 211 211-35	2 2-1/8 2-3/16	55	2-7/16 61.9	9-1/8 232	7-1/8 181	2-3/8 60	23/32 18	15/16 24	29/32 23	4-27/32 123	7/8 22.2	2-3/16 55.6	5/8	UC211-32 211-34 211 211-35	PK211	7.26
<b>UCPK212-36</b> 212 212-38 212-39	2-1/4 2-3/8 2-7/16	60	2-11/16 68.3	9-1/2 241	7-17/32 191	2-17/32 64	23/32 18	15/16 24	31/32 25	5-11/32 136	1 25.4	2-9/16 65.1	5/8	UC212-36 212 212-38 212-39	PK212	9.90
<b>UCPK213-40</b> 213	2-1/2	65	2-11/16 68.3	9-3/4 248	7-5/8 194	2-3/4 70	23/32 18	1-5/32 29	1-1/16 27	5-9/16 141	1 25.4	2-9/16 65.1	3/4	UC213-40 213	PK213	12.30

\* Dual seal standard. Triple lip seal (R3 suffix) optional.



# TAPPED BASE PILLOW BLOCKS

UCPA A STANDARD DUTY SET SCREW LOCKING TYPE



- Follows USA/domestic dimensions.
- Cast iron housing.
- Wide inner ring bearing

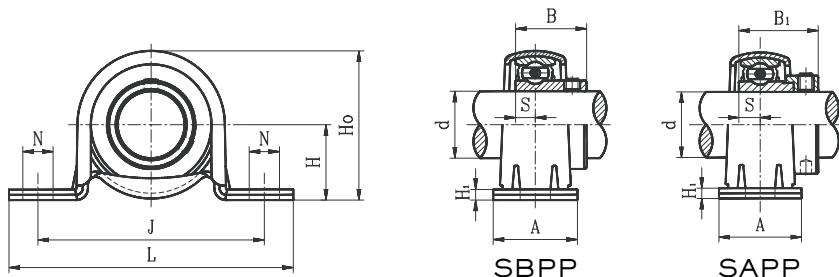
Unit No.	Shaft Dia. d		Dimension (in) (mm)									Bearing No.	Housing No.	Weight (lb)				
	(in.)	(mm)	H	L	J	A	Ho	H1	S	B	F				M			
UCPA201A 201-8A 202A	1/2	12																
202-10A 203A	5/8	15	1-5/16	2-7/8	2	1-1/2	2-9/16	15/32	1/2	1-7/32	1/2	3/8-16UNC						
203-11A 204-12A 204A	11/16 3/4	17 20	33.3	73	50.8	38	65	12	12.7	31	13		PA204A				1.39	
UCPA205-14A 205-15A 205A 205-16A	7/8 15/16	25	1-7/16	3	2	1-1/2	2-13/16	15/32	9/16	1-11/32	1/2	3/8-16UNC						
205-16A	1	25	36.5	76.2	50.8	38	71.4	12	14.3	34	13		PA205A				1.76	
UCPA206-18A 206A 206-19A 206-20A	1-1/8 1-3/16 1-1/4	30	1-11/16	4	3	1-1/2	3-3/8	19/32	5/8	1-1/2	5/8	7/16-14UNC						
206-19A 206-20A	1-3/16 1-1/4	30	42.9	101.6	76.2	38	85.7	15	15.9	38.1	16		PA206A				2.64	
UCPA207-20A 207-21A 207-22A 207A 207-23A	1-1/4 1-5/16 1-3/8 1-7/16	35	1-7/8	4-1/4	3-1/4	1-7/8	3-3/4	5/8	11/16	1-11/16	3/4	1/2-13UNC						
207-21A 207-22A 207-23A	1-5/16 1-3/8 1-7/16	35	47.6	108	82.5	47.6	95.2	16	17.5	42.9	19		PA207A				3.74	
UCPA208-24A 208-25A 208A	1-1/2 1-9/16	40	1-15/16	4-5/8	3-1/2	1-7/8	3-15/16	5/8	3/4	1-15/16	3/4	1/2-13UNC						
208-25A 208A	1-9/16	40	49.2	117.5	88.9	47.6	100	16	19	49.2	19		PA208A				4.4	
UCPA209-26A 209-27A 209-28A 209A	1-5/8 1-11/16 1-3/4	45	2-1/8	5	3-3/4	2	4-1/4	23/32	3/4	1-15/16	3/4	1/2-13UNC						
209-27A 209-28A 209A	1-11/16 1-3/4	45	53.98	127	95.25	50.8	108	18	19	49.2	19		PA209A				4.84	
UCPA210-30A 210-31A 210A 210-32A	1-7/8 1-15/16	50	2-1/4	5-1/2	4	2	4-5/8	23/32	3/4	2-1/32	31/32	5/8-11UNC						
210-31A 210A 210-32A	1-15/16	50	57.15	139.7	101.6	50.8	117.5	18	19	51.6	25		PA210A				6.16	

\* Dual seal standard. Triple lip seal (R3 suffix) optional.



# PRESSED HOUSING PILLOW BLOCKS

## SBPP SET SCREW TYPE



- Zinc plated housing
- Narrow inner ring bearing

Unit No.	Shaft Dia. d		Dimension (in) (mm)								Bolt Size (in)	Bearing No.	Housing No.	Weight (lb)										
	(in.)	(mm)	H	J	L	A	N	H <sub>1</sub>	H <sub>0</sub>	S					B									
<b>SBPP201</b> 201-8 202 202-10 203 203-11	1/2	12																						
	1/2	15	7/8	2-11/16	3-3/8	1	3/8	1/8	1-23/32	1/4	7/8	5/16	SB201											
	5/8	17	22.2	68	86	25	9.5	3	43.5	6.0	22		201-8									0.33		
	5/8	17											202-10											
	11/16												203											
	11/16												203-11											
<b>SBPP204-12</b> 204	3/4	20	1	3	3-7/8	1-1/4	3/8	1/8	1-31/32	9/32	1	5/16	SB204-12										0.44	
	3/4	20	25.4	76	98	32	9.5	3	50.2	7.0	25		204											
<b>SBPP205-14</b> 205-15 205 205-16	7/8		1-1/8	3-3/8	4-1/4	1-1/4	7/16	5/32	2-7/32	9/32	1-1/16	3/8	SB205-14										0.61	
	15/16		28.6	86	108	32	11.5	4	56.4	7.5	27		205-15											
	1	25											205											
	1	25											205-16											
<b>SBPP206-18</b> 206 206-19 206-20	1-1/8	30	1-5/16	3-3/4	4-19/32	1-1/2	7/16	5/32	2-19/32	5/16	1-3/16	3/8	SB206-18										0.92	
	1-3/16	30	33.3	95	117	38	11.5	4	66.1	8.0	30		206											
	1-3/16												206-19											
	1-1/4												206-20											
<b>SBPP207-20</b> 207-21 207-22 207 207-23	1-1/4		1-9/16	4-3/16	5-3/32	1-21/32	7/16	5/32	3-1/16	11/32	1-1/4	3/8	SB207-20										1.21	
	1-5/16		39.7	106	129	42	11.5	4	77.7	8.5	32		207-21											
	1-3/8	35											207-22											
	1-3/8	35											207											
	1-7/16												207-23											

## SAPP ECCENTRIC LOCKING COLLAR TYPE

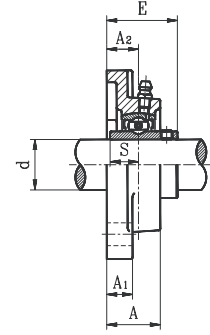
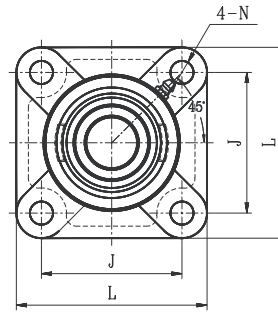
Unit No.	Shaft Dia. d		Dimension (in) (mm)								Bolt Size (in)	Bearing No.	Housing No.	Weight (lb)										
	(in.)	(mm)	H	J	L	A	N	H <sub>1</sub>	H <sub>0</sub>	S					B									
<b>SAPP201</b> 201-8 202 202-10 203 203-11	1/2	12																						
	1/2	15	7/8	2-11/16	3-3/8	1	3/8	1/8	1-23/32	1/4	1-1/8	5/16	SA201											0.44
	5/8	17	22.2	68	86	25	9.5	3	43.5	6.5	28.6		201-8											
	5/8	17											202											
	11/16												202-10											
	11/16												203											
	11/16												203-11											
<b>SAPP204-12</b> 204	3/4	20	1	3	3-7/8	1-1/4	3/8	1/8	1-31/32	9/32	1-7/32	5/16	SA204-12											0.50
	3/4	20	25.4	76	98	32	9.5	3	50.2	7.5	30.9		204											
<b>SAPP205-14</b> 205-15 205 205-16	7/8		1-1/8	3-3/8	4-1/4	1-1/4	7/16	5/32	2-7/32	9/32	1-7/32	3/8	SA205-14											0.71
	15/16		28.6	86	108	32	11.5	4	56.4	7.5	30.9		205-15											
	1	25											205											
	1	25											205-16											
<b>SAPP206-18</b> 206 206-19 206-20	1-1/8	30	1-5/16	3-3/4	4-19/32	1-1/2	7/16	5/32	2-19/32	11/32	1-13/32	3/8	SA206-18											1.04
	1-3/16	30	33.3	95	117	38	11.5	4	66.1	9.0	35.7		206											
	1-3/16												206-19											
	1-1/4												206-20											
<b>SAPP207-20</b> 207-21 207-22 207 207-23	1-1/4		1-9/16	4-3/16	5-3/32	1-21/32	7/16	5/32	3-1/16	3/8	1-17/32	3/8	SA207-20											1.32
	1-5/16		39.7	106	129	42	11.5	4	77.7	9.5	38.9		207-21											
	1-3/8	35											207-22											
	1-3/8	35											207											
	1-7/16												207-23											

\* Full cover metal shroud seal standard. Full contact rubber seal (2RS suffix) optional.



# FOUR BOLT FLANGE UNITS

## UCF STANDARD DUTY SET SCREW LOCKING TYPE



- Cast iron housing
- Wide inner ring bearing

Unit No.	Shaft Dia. d		Dimension (in) (mm)								Bolt Size (in)	Bearing No.	Housing No.	Weight (lb)	
	(in.)	(mm)	L	J	A <sub>2</sub>	A <sub>1</sub>	A	E	N	S					
<b>UCF201S</b> 201-8S 202S 202-10S 203S 203-11S	1/2 5/8 11/16	12 15 17											UC201 201-8S 202S 202-10S 203S 203-11S	F203	1.14
<b>UCF201</b> 201-8 202 202-10 203 203-11 204-12 204	1/2 5/8 11/16 3/4	12 15 17 20											UC201 201-8 202 202-10 203 203-11 204-12 204	F204	1.41
<b>UCF205-14</b> 205-15 205 205-16	7/8 15/16 1												UC205-14 205-15 205 205-16	F205	1.76
<b>UCF206-18</b> 206 206-19 206-20	1-1/8 1-3/16 1-1/4												UC206-18 206 206-19 206-20	F206	2.35
<b>UCF207-20</b> 207-21 207-22 207 207-23	1-1/4 1-5/16 1-3/8 1-7/16												UC207-20 207-21 207-22 207 207-23	F207	3.08
<b>UCF208-24</b> 208-25 208	1-1/2 1-9/16 40												UC208-24 208-25 208	F208	3.96
<b>UCF209-26</b> 209-27 209-28 209	1-5/8 1-11/16 1-3/4 45												UC209-26 209-27 209-28 209	F209	4.85
<b>UCF210-30</b> 210-31 210	1-7/8 1-15/16 50												UC210-30 210-31 210	F210	5.29
<b>UCF211-32</b> 211-34 211 211-35	2 2-1/8 2-3/16												UC211-32 211-34 211 211-35	F211	7.71
<b>UCF212-36</b> 212 212-38 212-39	2-1/4 2-3/8 2-7/16												UC212-36 212 212-38 212-39	F212	9.00
<b>UCF213-40</b> 213	2-1/2 65												UC213-40 213	F213	11.68
<b>UCF214-44</b> 214	2-3/4 70												UC214-44 214	F214	13.00
<b>UCF215-47</b> 215 215-48	2-15/16 3												UC215-47 215 215-48	F215	13.88
<b>UCF216</b>													UC216	F216	16.09
<b>UCF217-52</b> 217	3-1/4 85												UC217-52 217	F217	19.62
<b>UCF218-56</b> 218	3-1/2 90												UC218-56 218	F218	25.52

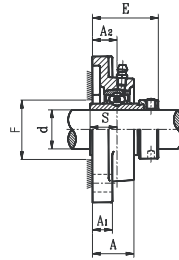
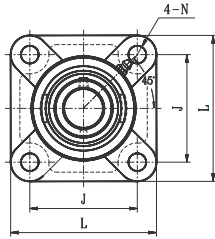
\* Dual seal standard. Triple lip seal (R3 suffix) optional.





# FOUR BOLT FLANGE UNITS

## HCF STANDARD DUTY ECCENTRIC LOCKING COLLAR TYPE



- Cast iron housing
- Wide inner ring bearing

FLANGES

Unit No.	Shaft Dia. d		Dimension (in) (mm)									Bolt Size (in)	Bearing No.	Housing No.	Weight (lb)
	(in.)	(mm)	L	J	A <sub>2</sub>	A <sub>1</sub>	A	E	N	S	F MIN.				
HCF201S 201-8S 202S 202-10S 203S 203-11S	1/2 5/8 11/16	12 15 17	3 76	2-1/8 54	19/32 15	7/16 11	31/32 24.5	1-1/2 38.4	7/16 11.5	9/16 13.9		3/8	HC201 201-8S 202S 202-10S 203S 203-11S	FU203	1.12
HCF201 201-8 202 202-10 203 203-11 204-12 204	1/2 5/8 11/16 3/4	12 15 17 20	3-3/8 86	2-17/32 64	3/4 19	19/32 15	1-5/32 29.5	1-25/32 45.5	7/16 11.5	21/32 17.0	1-7/32 31	3/8	HC201 201-8 202 202-10 203 203-11 204-12 204	FU204	1.70
HCF205-14 205-15 205 205-16	7/8 15/16 1	25	3-3/4 95	2-3/4 70	3/4 19	19/32 15	1-3/16 30	1-13/16 45.9	7/16 11.5	11/16 17.4	1-13/32 36	3/8	HC205-14 205-15 205 205-16	FU205	1.76
HCF206-18 206 206-19 206-20	1-1/8 1-3/16 1-1/4	30	4-1/4 108	3-9/32 83	25/32 20	23/32 16	1-9/32 32.5	1-31/32 50.1	7/16 11.5	23/32 18.2	1-21/32 42	3/8	HC206-18 206 206-19 206-20	FU206	2.64
HCF207-20 207-21 207-22 207 207-23	1-1/4 1-5/16 1-3/8 1-7/16	35	4-19/32 117	3-5/8 92	13/16 21	11/16 17	1-3/8 35	2-3/32 53.3	9/16 14.0	3/4 18.8	1-31/32 50	1/2	HC207-20 207-21 207-22 207 207-23	FU207	3.25
HCF208-24 208-25 208	1-1/2 1-9/16	40	5-1/8 130	4-1/32 102	15/16 24	11/16 17	1-17/32 39	2-3/8 58.9	9/16 14.0	27/32 21.4	2-5/32 55	1/2	HC208-24 208-25 208	FU208	4.19
HCF209-26 209-27 209-28 209	1-5/8 1-11/16 1-3/4	45	5-13/32 137	4-1/8 105	15/16 24	23/32 18	1-9/16 40	2-3/8 58.9	5/8 16.0	27/32 21.4		9/16	HC209-26 209-27 209-28 209	FU209	5.07
HCF210-30 210-31 210	1-7/8 1-15/16	50	5-5/8 143	4-3/8 111	1-1/8 28	25/32 20	1-3/4 45	2-19/32 66.1	23/32 18.0	31/32 24.6	2-17/32 64	5/8	HC210-30 210-31 210	FU210	5.73
HCF211-32 211-34 211 211-35	2 2-1/8 2-3/16	55	6-3/8 162	5-1/8 130	1-7/32 31	13/16 21	1-15/16 49	2-15/16 74.6	23/32 18.0	1-3/32 27.7	2-13/16 71	5/8	HC211-32 211-34 211 211-35	FU211	8.38
HCF212-36 212 212-38 212-39	2-1/4 2-3/8 2-7/16	60	6-7/8 175	5-5/8 143	1-11/32 34	7/8 22	2-1/8 53.5	3-3/16 80.8	23/32 18.0	1-7/32 30.9	3-1/32 77	5/8	HC212-36 212 212-38 212-39	FU212	10.58
HCF213-40 213	2-1/2	65	7-3/8 187	5-7/8 149	1-1/2 38	7/8 22	2-1/4 58	3-1/2 89	23/32 18.0	1-11/32 34.1	3-5/16 84	5/8	HC213-40 213	FU213	13.22
HCF214-44 214	2-3/4	70	7-19/32 193	6 152	1-1/2 38	29/32 23	2-3/8 60	3-1/2 89.6	23/32 18.0	1-11/32 34.1	3-1/2 89	5/8	HC214-44 214	FU214	13.89
HCF215 215-48	3	75	7-7/8 200	6-1/4 159	1-5/8 41	15/16 24	2-7/16 62	3-3/34 95.8	23/32 18.0	1-15/32 37.3	3-11/16 94	5/8	HC215 215-48	FU215	15.87
HCF216		80	8-3/16 208	6-1/2 165	1-21/32 42	1 25	2-1/2 63	3-15/16 99.9	7/8 22.0	1-15/32 37/3	3-31/32 101	3/4	HC216	FU216	15.91

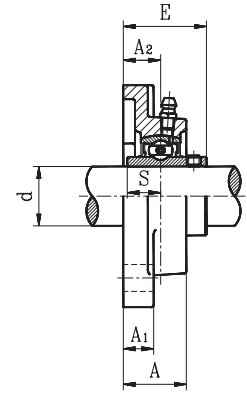
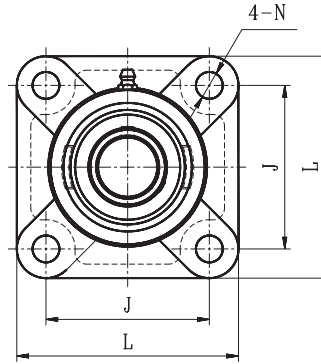
\* Dual seal standard. Triple lip seal (R3 suffix) optional.





# FOUR BOLT FLANGE UNITS

## UCFX MEDIUM DUTY SET SCREW LOCKING TYPE



- Cast iron housing
- Wide inner ring bearing

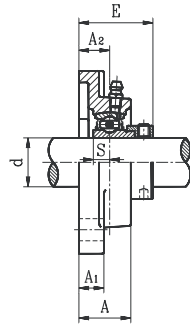
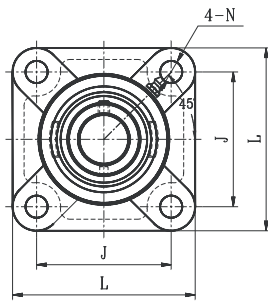
Unit No.	Shaft Dia. d		Dimension (in) (mm)							Bolt Size (in)	Bearing No.	Housing No.	Weight (lb)	
	(in.)	(mm)	L	J	A2	A1	A	E	N					S
UCFX05-16	1		3-9/32	3-1/4	23/32	17/32	1-3/16	1-19/32	15/32	21/32	3/8	UCX05-16	F206	2.645
UCFX05-25MM		25	108	82.5	18	13	30	40.2	11.5	15.9		UCX05-25MM		
UCFX06-18	1-1/8										1/2	UCX06-18	F207	3.527
UCFX06-19	1-3/16		4-5/8	3-5/8	3/4	9/16	1-11/32	1-3/4	17/32	23/32		UCX06-19		
UCFX06-20	1-1/4		117	92	19	14	34	44.4	13	17.5		UC207-20		
UCFX06-30MM		30										UCX06-30MM		
UCFX07-20	1-1/4										1/2	UCX07-20	F208	4.409
UCFX07-22	1-3/8		5-1/8	4	27/32	9/16	1-1/2	2-1/32	17/32	3/4		UCX07-22		
UCFX07-23	1-7/16		130	101.5	21	14	38	51.2	13	19		UCX07-23		
UCFX07-35MM		35										UCX07-35MM		
UCFX08-24	1-1/2		5-13/32	4-5/32	7/8	9/16	1-19/32	2-1/16	19/32	3/4	9/16	UCX08-24	F209	5.291
UCFX08-40MM		40	137	105	22	14	40	52.2	15	19		UCX08-40MM		
UCFX09-26	1-5/8										9/16	UCX09-26	F210	5.900
UCFX09-27	1-11/16		5-21/32	4-3/8	29/32	9/16	1-19/32	2-7/32	19/32	3/4		UCX09-27		
UCFX09-28	1-3/4		143	111	23	14	40	55.6	15	19		UCX09-28		
UCFX09-45MM		45										UCX09-45MM		
UCFX10-30	1-7/8										5/8	UCX10-30	F211	8.157
UCFX10-31	1-15/16		6-7/8	5-5/8	1-1/32	13/16	1-3/4	2-11/32	11/16	7/8		UCX10-31		
UCFX10-32	2		175	143	26	20	44	59.4	17	22.2		UC211-32		
UCFX10-50MM		50										UCX10-50MM		
UCFX11-34	2-1/8										5/8	UCX11-34	F212	10.81
UCFX11-35	2-3/16		6-7/8	5-5/8	1-1/32	13/16	1-3/4	2-11/32	11/16	7/8		UCX11-35		
UCFX11-36	2-1/4		175	143	26	20	44	59.4	17	22.2		UC212-36		
UCFX11-55MM		55										UCX11-55MM		
UCFX12-38	2-3/8										5/8	UCX12-38	F213	12.566
UCFX12-39	2-7/16		7-13/32	5-7/8	1-11/32	27/32	2-1/4	2-29/32	11/16	1		UCX12-39		
UCFX12-60MM		60	187	149	34	21	57	73.7	17	25.4		UCX12-60MM		
UCFX13-40	2-1/2		7-13/32	5-7/8	1-11/32	27/32	2-11/32	3-3/32	11/16	1-7/32	5/8	UCX13-40	FX13	13.889
UCFX13-65MM		65	187	149	34	21	59	78.4	17	30.2		UCX13-65MM		
UCFX14-43	2-11/16										23/32	UCX14-43	FX14	15.432
UCFX14-44	2-3/4		7-25/32	6	1-15/32	31/32	2-3/8	3-7/32	13/16	1-5/16		UCX14-44		
UCFX14-70MM		70	197	152	37	24	60	81.5	20	33.3		UCX14-70MM		
UCFX15-47	2-15/16										23/32	UCX15-47	FX15	17.83
UCFX15-48	3		7-25/32	6	1-19/32	31/32	2-11/16	3-17/32	13/16	1-5/16		UCX15-48		
UCFX15-75MM		75	197	152	40	24	68	89.3	20	33.3		UCX15-75MM		

\* Dual seal standard. Triple lip seal (R3 suffix) optional.



# FOUR BOLT FLANGE UNITS

## SAF LIGHT DUTY ECCENTRIC LOCKING COLLAR TYPE



- Cast iron housing
- Narrow inner ring bearing

FLANGES

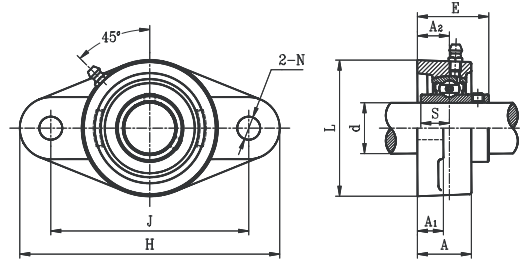
Unit No.	Shaft Dia. d		Dimension (in) (mm)								Bolt Size (in)	Bearing No.	Housing No.	Weight (lb)	
	(in.)	(mm)	L	J	A <sub>2</sub>	A <sub>1</sub>	A	E	N	S					
SAF201G		12													0.95
201-8G	1/2														0.95
202G		15	3	2-1/8	19/32	7/16	1	1-15/32	7/16	1/4	3/8	SA201G			0.92
202-10G	5/8		76	54	15	11	24.5	37.1	11.5	6.5		201-8G	F203		0.92
203G		17										202-10G			0.92
203-11G	11/16											203G			0.92
SAF204-12G	3/4		3-3/8	2-17/32	19/32	7/16	1	1-1/2	7/16	9/32	3/8	SA204-12G			1.21
204G		20	86	64	15	11	25.5	38.4	11.5	7.5		204G	F204		1.28
SAF205-14G	7/8		3-3/4	2-3/4	5/8	1/2	1-1/16	1-9/16	7/16	9/32	3/8	SA205-14G			1.63
205-15G	15/16		95	70	16	13	27.0	39.6	11.5	7.5		205-15G	F205		1.61
205G		25										205G			1.56
205-16G	1											205-16G			1.54
SAF206-18G	1-1/8		4-1/4	3-9/32	23/32	1/2	1-7/32	1-3/4	7/16	11/32	3/8	SA206-18G			2.38
206G		30	108	83	18	13	31.0	44.7	11.5	9.0		206G	F206		2.33
206-19G	1-3/16											206-19G			2.29
206-20G	1-1/4											206-20G			2.22
SAF207-20G	1-1/4		4-19/32	3-5/8	3/4	19/32	1-11/32	1-29/32	9/16	3/4	1/2	SA207-20G			3.21
207-21G	1-5/16		117	92	19	15	34.0	48.4	14.0	18.8		207-21G	F207		3.15
207-22G	1-3/8											207-22G			3.10
207G		35										207G			3.08
207-23G	1-7/16											207-23G			3.04
SAF208-24G	1-1/2		5-1/8	4-1/32	13/16	19/32	1-13/32	2-1/8	9/16	7/16	1/2	SA208-24G			3.96
208-25G	1-9/16		130	102	21	15	36.0	53.7	14.0	11.0		208-25G	F208		3.94
208G		40										208G			3.89
SAF209-26G	1-5/8		5-13/32	4-1/8	7/8	5/8	1-1/2	2-5/32	5/8	7/16	9/16	SA209-26G			4.84
209-27G	1-11/16		137	105	22	16	38.0	54.7	16.0	11.0		209-27G	F209		4.71
209-28G	1-3/4											209-28G			4.64
209G		45										209G			4.55
SAF210-30G	1-7/8		5-5/8	4-3/8	7/8	5/8	1-9/16	2-5/32	23/32	7/16	5/8	SA210-30G			5.39
210-31G	1-15/16		143	111	22	16	40.0	54.7	18.0	11.0		210-31G	F210		5.35
210G		50										210G			5.28
SAF211-32G	2		6-3/8	5-1/8	1	23/32	1-11/16	2-13/32	23/32	15/32	5/8	SA211-32G			6.99
211-34G	2-1/8		162	130	25	18	43.0	61.4	18.0	12.0		211-34G	F211		6.51
211G		55										211G			6.31
211-35G	2-3/16											211-35G			6.18
SAF212-36G	2-1/4		6-7/8	5-5/8	1-5/32	23/32	1-29/32	2-5/8	23/32	15/32	5/8	SA212-36G			8.73
212G		60	175	143	29	18	48.0	66.3	18.0	12.0		212G	F212		8.51
212-38G	2-3/8											212-38G			8.36
212-39G	2-7/16											212-39G			8.27

\* Full cover metal shroud seal standard. Full contact rubber seal (2RS suffix) optional.  
Non-relubricatable units also available (remove G suffix). Contact factory.



# TWO BOLT FLANGE UNITS

## UCFL STANDARD DUTY SET SCREW LOCKING TYPE



- Cast iron housing
- Wide inner ring bearing

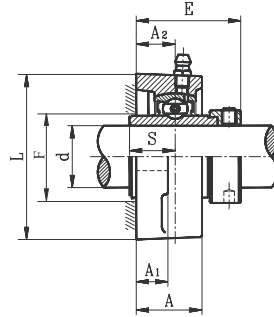
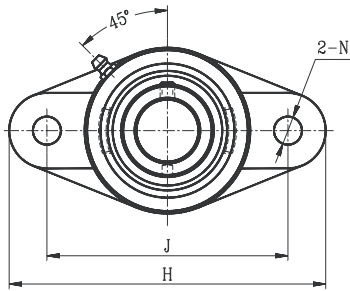
Unit No.	Shaft Dia. d		Dimension (in) (mm)									Bolt Size (in)	Bearing No.	Housing No.	Weight (lb)	
	(in.)	(mm)	H	J	L	A <sub>2</sub>	A <sub>1</sub>	A	E	N	S					
<b>UCFL201S</b>		12														
<b>201-8S</b>	1/2	15	3-29/32	3	2-1/4	19/32	7/16	1	1-7/32	7/16	7/16	3/8	UC201S	FL203	0.99	
<b>202S</b>	5/8	17	99	76.5	57	15	11	24.5	30.9	11.5	11.5		201-8S			
<b>202-10S</b>													202S			
<b>203S</b>	11/16												202-10S			
<b>203-11S</b>													203S			
<b>203-11S</b>													203-11S			
<b>UCFL201</b>		12											UC201	FL204	1.12	
<b>201-8</b>	1/2	15										3/8	201			
<b>202</b>	5/8	17	4-7/16	3-9/16	2-3/8	19/32	7/16	1	1-5/16	7/16	1/2		201-8			
<b>202-10</b>													202			
<b>203</b>	11/16												202-10			
<b>203-11</b>	3/4	20	113	90.0	60	15	11	25.5	33.3	11.5	12.7		203			
<b>204</b>													203-11			
<b>UCFL205-14</b>	7/8												UC205-14	FL205	1.32	
<b>205-15</b>	15/16	25	5-1/8	3-29/32	2-11/16	5/8	17/32	1-1/16	1-13/32	7/16	9/16	3/8	205			
<b>205</b>			130	99.0	68	16	13	27.0	35.7	11.5	14.3		205-15			
<b>205-16</b>	1												205			
<b>UCFL206-18</b>	1-1/8												UC206-18	FL206	1.98	
<b>206</b>	1-3/16	30	5-27/32	4-5/8	3-5/32	23/32	17/32	1-7/32	1-19/32	7/16	5/8	3/8	206			
<b>206-19</b>	1-1/4		148	117.0	80	18	13	31.0	40.2	11.5	15.9		206-19			
<b>206-20</b>													206-20			
<b>UCFL207-20</b>	1-1/4												UC207-20	FL207	2.84	
<b>207-21</b>	1-5/16		6-11/32	5-1/8	3-9/16	3/4	9/16	1-11/32	1-3/4	9/16	11/16	1/2	207			
<b>207-22</b>	1-3/8	35	161	130.0	90	19	14	34.0	44.4	14.0	17.5		207-21			
<b>207</b>													207-22			
<b>207-23</b>	1-7/16												207			
<b>UCFL208-24</b>	1-1/2												UC208-24	FL208	3.30	
<b>208-25</b>	1-9/16	40	6-7/8	5-11/16	3-15/16	27/32	9/16	1-7/16	2-1/32	9/16	3/4	1/2	208			
<b>208</b>			175	144.0	100	21	14	36.0	51.2	14.0	19.0		208-25			
<b>UCFL209-26</b>	1-5/8												UC209-26	FL209	4.18	
<b>209-27</b>	1-11/16		7-13/32	5-27/32	4-1/4	7/8	5/8	1-1/2	2-1/16	23/32	3/4	5/8	209			
<b>209-28</b>	1-3/4	45	188	148.0	108	22	16	38.0	52.2	18.0	19.0		209-27			
<b>209</b>													209-28			
<b>UCFL210-30</b>	1-7/8												UC210-30	FL210	4.85	
<b>210-31</b>	1-15/16	50	7-3/4	6-3/16	4-17/32	7/8	5/8	1-19/32	2-5/32	23/32	3/4	5/8	210			
<b>210</b>			197	157.0	115	22	16	40.0	54.6	18.0	19.0		210-31			
<b>210-32</b>	2												210			
<b>UCFL211-32</b>	2												UC211-32	FL211	6.83	
<b>211-34</b>	2-1/8	55	8-13/16	7-1/4	5-1/8	1	23/32	1-11/16	2-5/16	23/32	7/8	5/8	211			
<b>211</b>			224	184.0	130	25	18	43.0	58.4	18.0	22.2		211-34			
<b>211-35</b>	2-3/16												211			
<b>UCFL212-36</b>	2-1/4	60	9-27/32	7-31/32	5-1/2	1-5/32	23/32	1-29/32	2-23/32	23/32	1	5/8	UC212-36	FL212	8.82	
<b>212</b>			250	202.0	140	29	18	48.0	68.7	18.0	25.4		212			
<b>212-38</b>	2-3/8												212-38			
<b>212-39</b>	2-7/16												212-39			
<b>UCFL213-40</b>	2-1/2	65	10-5/32	8-9/32	6-3/32	1-3/16	25/32	1-31/32	2-3/4	29/32	1	3/4	UC213-40	FL213	11.20	
<b>213</b>			258	210.0	155	30	20	50.0	69.7	23.0	25.4		213			
<b>UCFL214-44</b>	2-3/4	70	10-7/16	8-1/2	6-5/16	1-7/32	25/32	2-1/8	2-31/32	29/32	1-3/16	3/4	UC214-44	FL214	12.34	
<b>214</b>			265	216.0	160	31	20	54.0	75.4	23.0	30.2		214			
<b>UCFL215-47</b>	2-15/16	75	10-27/32	8-7/8	6-15/32	1-11/32	7/8	2-3/16	3-3/32	29/32	1-5/16	3/4	UC215-47	FL215	13.66	
<b>215</b>			275	225.0	164	34	22	55.0	78.5	23.0	33.3		215			
<b>215-48</b>	3												215-48			
<b>UCFL216</b>		80	11-13/32	9-3/16	7-3/32	1-11/32	7/8	2-9/32	3-9/32	1	1-5/16	7/8	UC216	FL216	17.19	
			290	233.0	180	34	22	58.0	83.3	25.0	33.3		216			
<b>UCFL217-52</b>	3-1/4	85	12	9-25/32	7-1/2	1-13/32	7/8	2-15/32	3-7/16	1	1-11/32	7/8	UC217-52	FL217	21.60	
<b>217</b>			305	248.0	190	36	22	63.0	87.6	25.0	34.1		217			
<b>UCFL218-56</b>	3-1/2	90	12-19/32	10-7/16	8-1/16	1-19/32	29/32	2-11/16	3-13/16	1	1-9/16	7/8	UC218-56	FL218	27.33	
<b>218</b>			320	265.0	205	40	23	68.0	96.3	25.0	39.7		218			

\* Dual seal standard. Triple lip seal (R3 suffix) optional.



# TWO BOLT FLANGE UNITS

## HCFL STANDARD DUTY ECCENTRIC LOCKING COLLAR TYPE



- Cast iron housing
- Wide inner ring bearing

FLANGES

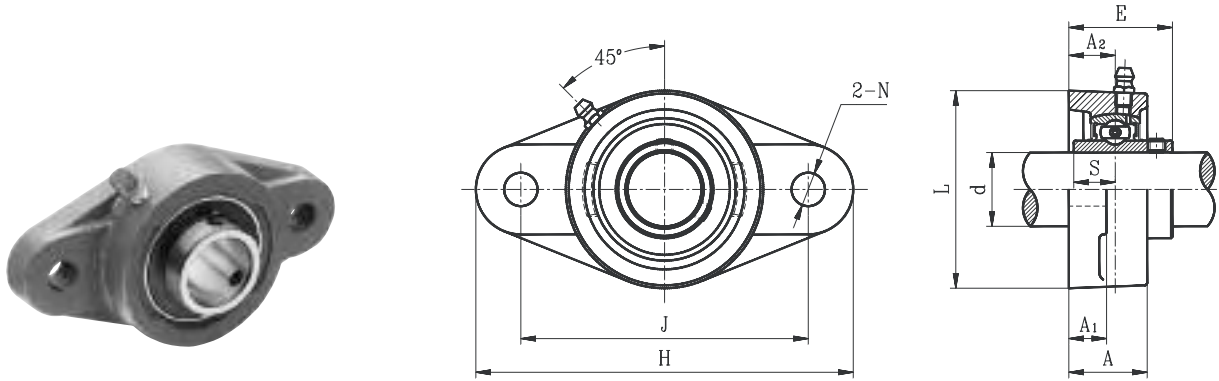
Unit No.	Shaft Dia. d		Dimension (in) (mm)									Bolt Size (in)	Bearing No.	Housing No.	Weight (lb)	
	(in.)	(mm)	H	J	L	A <sub>2</sub>	A <sub>1</sub>	A	E	N	S					F MIN.
HCFL201S 201-8S 202S 202-10S 203S 203-11S	1/2 5/8 11/16	12 15 17	3-29/32 99	3 76.5	2-1/4 57	19/32 15	7/16 11	31/32 24.5	1-1/2 38.4	7/16 11.5	9/16 13.9		3/8	HC201 201-8S 202S 202-10S 203S 203-11S	FLU203	1.06
HCFL201 201-8 202 202-10 203 203-11 204-12 204	1/2 5/8 11/16 3/4 20	12 15 17	4-7/16 113	3-9/16 90.0	2-3/8 60	3/4 19	19/32 15	1-5/32 29.5	1-25/32 45.5	7/16 11.5	21/32 17.0	1-7/32 31	3/8	HC201 201-8 202 202-10 203 203-11 204-12 204	FLU204	1.61
HCFL205-14 205-15 205 205-16	7/8 15/16 1	25	5-1/8 130	3-29/32 99.0	2-11/16 68	3/4 19	19/32 15	1-3/16 30	1-13/16 45.9	7/16 11.5	11/16 17.4	1-13/32 36	3/8	HC205-14 205-15 205 205-16	FLU205	1.76
HCFL206-18 206 206-19 206-20	1-1/8 1-3/16 1-1/4	30	5-13/16 148	4-19/32 117.0	3-5/32 80	25/32 20	23/32 16	1-9/32 32.5	1-31/32 50.1	7/16 11.5	23/32 18.2	1-21/32 42	3/8	HC206-18 206 206-19 206-20	FLU206	2.65
HCFL207-20 207-21 207-22 207 207-23	1-1/4 1-5/16 1-3/8 1-7/16	35	6-11/32 161	5-1/8 130.0	3-17/32 90	13/16 21	11/16 17	1-3/8 36	2-3/32 53.3	9/16 14.0	3/4 18.8	1-31/32 50	1/2	HC207-20 207-21 207-22 207 207-23	FLU207	3.53
HCFL208-24 208-25 208	1-1/2 1-9/16	40	6-29/32 175	5-21/32 144	3-15/16 100	27/32 21	11/16 17	1-17/32 36	2-3/8 58.9	9/16 14.0	27/32 21.4	2-5/32 55	1/2	HC208-24 208-25 208	FLU208	4.19
HCFL209-26 209-27 209-28 209	1-5/8 1-11/16 1-3/4	45	7-13/32 188	5-27/32 148.0	4-1/4 108	15/16 24	23/32 18	1-9/16 39	2-3/8 58.9	23/32 18.0	27/32 21.4		5/8	HC209-26 209-27 209-28 209	FLU209	5.07
HCFL210-30 210-31 210	1-7/8 1-15/16	50	7-3/4 197	6-3/16 157.0	4-7/32 115	1-1/8 28	25/32 20	1-3/4 45	2-19/32 66.1	23/32 18.0	31/32 24.6	2-17/32 64	5/8	HC210-30 210-31 210	FLU210	5.74
HCFL211-32 211-34 211 211-35	2 2-1/8 2-3/16	55	8-13/16 224	7-1/4 184.0	5-1/8 130	1-7/32 31	13/16 21	1-15/16 48	2-15/16 74.6	23/32 18.0	1-3/32 27.7	2-13/16 71	5/8	HC211-32 211-34 211 211-35	FLU211	8.38
HCFL212-36 212 212-38 212-39	2-1/4 2-3/8 2-7/16	60	9-27/32 250	7-31/32 202.0	5-1/2 140	1-11/32 34	27/32 21	2-1/8 53	3-3/16 80.8	23/32 30.9	1-7/32 30.9	3-1/32 77	5/8	HC212-36 212 212-38 212-39	FLU212	10.60
HCFL213-40 213	2-1/2	65	10-5/32 258	8-9/32 210.0	6-3/32 155	1-1/2 38	7/8 22	2-1/4 56	3-1/2 88.6	29/32 23	1-11/32 34.1	3-5/16 84	3/4	HC213-40 213	FLU213	13.20
HCFL214-44 214	2-3/4	70	10-7/16 265	8-1/2 216.0	6-5/16 160	1-9/16 38	29/32 23	2-3/8 58	3-3/4 89.6	29/32 23	1-11/32 34.1	3-1/2 89	3/4	HC214-44 214	FLU214	13.90
HCFL215 215-48	3	75	10-13/16 275	8-27/32 225.0	6-15/32 164	1-19/32 41	1 24	2-7/16 62	3-15/16 95.8	29/32 23	1-15/32 37.3	3-11/16 94	3/4	HC215 215-48	FLU215	15.87

\* Dual seal standard. Triple lip seal (R3 suffix) optional.



# TWO BOLT FLANGE UNITS

## UCFLX MEDIUM DUTY SET SCREW LOCKING TYPE



- Cast iron housing
- Wide inner ring bearing

Unit No.	Shaft Dia. d		Dimension (in) (mm)									Bolt Size (in)	Bearing No.	Housing No.	Weight (lb)
	(in.)	(mm)	H	J	L	A2	A1	A	E	N	S				
UCFLX05-16 UCFLX05-25MM	1 25		5-27/32 148	4-5/8 117	3-5/32 80	18	17/32 13	1-1/4 31	1-19/32 40.2	15/32 11.5	21/32 15.9	3/8	UCX05-16 UCX05-25MM	FL206	2.205
UCFLX06-18 UCFLX06-19 UCFLX06-20 UCFLX06-30MM	1-1/8 1-3/16 1-1/4 30		6-11/32 161	5-1/8 130	3-9/16 90	3/4 19	9/16 14	1-11/32 34	1-3/4 44.4	9/16 14	23/32 17.5	1/2	UCX06-18 UCX06-19 UC207-20 UCX06-30MM	FL207	3.306
UCFLX07-20 UCFLX07-22 UCFLX07-23 UCFLX07-35MM	1-1/4 1-3/8 1-7/16 35		6-29/32 175	5-11/16 144	3-15/16 100	27/32 21	9/16 14	1-7/16 36	2-1/32 51.2	9/16 14	3/4 19	1/2	UCX07-20 UCX07-22 UCX07-23 UCX07-35MM	FL208	4.409
UCFLX08-24 UCFLX08-40MM	1-1/2 40		7-13/32 188	5-27/32 148	4-9/32 108	7/8 22	21/32 16	1-1/2 38	2-1/16 52.22	23/32 18	3/4 19	9/16	UCX08-24 UCX08-40MM	FL209	4.85
UCFLX09-26 UCFLX09-27 UCFLX09-28 UCFLX09-45MM	1-5/8 1-11/16 1-3/4 45		7-25/32 197	6-3/16 157	4-17/32 115	29/32 23	21/32 16	1-19/32 40	2-7/32 55.6	23/32 18	3/4 19	5/8	UCX09-26 UCX09-27 UCX09-28 UCX09-45MM	FL210	5.291
UCFLX10-30 UCFLX10-31 UCFLX10-32 UCFLX10-50MM	1-7/8 1-15/16 2 50		8-27/32 224	7-1/4 184	5-1/8 130	1 25	23/32 18	1-23/32 43	2-11/32 59.4	23/32 18	7/8 22.2	5/8	UCX10-30 UCX10-31 UC211-32 UCX10-50MM	FL211	7.495
UCFLX11-34 UCFLX11-35 UCFLX11-36 UCFLX11-55MM	2-1/8 2-3/16 2-1/4 55		9-27/32 250	7-31/32 202	5-17/32 140	1-5/32 29	23/32 18	1-29/32 48	2-23/32 68.7	23/32 18	1 25.4	3/4	UCX11-34 UCX11-35 UC212-36 UCX11-55MM	FL212	8.818

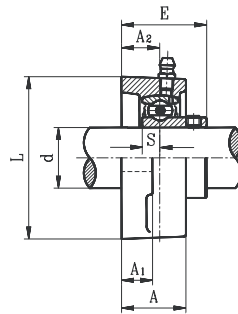
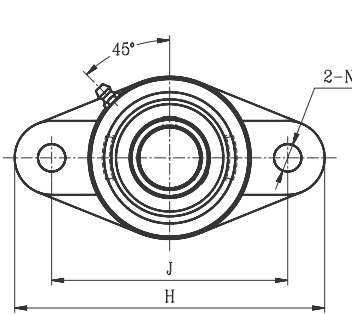
\* Dual seal standard. Triple lip seal (R3 suffix) optional.





# TWO BOLT FLANGE UNITS

## SBFL LIGHT DUTY SET SCREW LOCKING TYPE



FLANGES

- Cast iron housing
- Narrow inner ring bearing

Unit No.	Shaft Dia. d		Dimension (in) (mm)									Bolt Size (in)	Bearing No.	Housing No.	Weight (lb)	
	(in.)	(mm)	H	J	L	A <sub>2</sub>	A <sub>1</sub>	A	E	N	S					
<b>SBFL201G</b>		12														
<b>201-8G</b>	1/2	15														
<b>202G</b>			3-29/32	3-1/32	2-1/4	19/32	7/16	31/32	1-1/4	15/32	1/4	3/8	SB201G	FL203	0.83	
<b>202-10G</b>	5/8	17	99	76.5	57	15	11	24.5	31	11.5	6.0		201-8G			
<b>203G</b>													202G			
<b>203-11G</b>	11/16												202-10G			
													203G			
													203-11G			
<b>SBFL204-12G</b>	3/4	20	4-15/32	3-9/16	2-3/8	19/32	7/16	1	1-5/16	15/32	9/32	3/8	SB204-12G	FL204	0.86	
<b>204G</b>			113	90	60	15	11	25.5	33	11.5	7.0		204G		0.82	
<b>SBFL205-14G</b>	7/8												SB205-14G		1.28	
<b>205-15G</b>	15/16		5-1/8	3-29/32	2-11/16	5/8	17/32	1-1/16	1-13/32	15/32	5/16	3/8	205-15G	FL205	1.28	
<b>205G</b>		25	130	99	68	16	13	27	35.5	11.5	7.5		205G		1.26	
<b>205-16G</b>	1												205-16G		1.23	
<b>SBFL206-18G</b>	1-1/8												SB206-18G		1.85	
<b>206G</b>		30	5-27/32	4-5/8	3-5/32	23/32	17/32	1-1/4	1-19/32	15/32	5/16	3/8	206G	FL206	1.88	
<b>206-19G</b>	1-3/16		148	117	80	18	13	31	40	11.5	8.0		206-19G		1.81	
<b>206-20G</b>	1-1/4												206-20G		1.79	
<b>SBFL207-20G</b>	1-1/4												SB207-20G		2.99	
<b>207-21G</b>	1-5/16		6-11/32	5-1/8	3-9/16	3/4	9/16	1-11/32	1-11/16	9/16	11/32	1/2	207-21G	FL207	2.97	
<b>207-22G</b>	1-3/8	35	161	130	90	19	14	34	42.5	14.0	8.5		207-22G		2.33	
<b>207G</b>													207G		2.27	
<b>207-23G</b>	1-7/16												207-23G		2.24	
<b>SBFL208-24G</b>	1-1/2												SB208-24G		3.08	
<b>208-25G</b>	1-9/16		6-29/32	5-11/16	3-15/16	27/32	9/16	1-7/16	1-13/16	9/16	3/8	1/2	208-25G	FL208	3.04	
<b>208G</b>		40	175	144	100	21	14	36	46	14.0	9.0		208G		2.86	
<b>SBFL209-26G</b>	1-5/8												SB209-26G		4.33	
<b>209-27G</b>	1-11/16		7-13/32	5-27/32	4-1/4	7/8	5/8	1-1/2	2-3/32	23/32	13/32	5/8	209-27G	FL209	4.33	
<b>209-28G</b>	1-3/4		188	148	108	22	16	38	53	18.0	10.2		209-28G			
<b>209G</b>		45											209G			
<b>SBFL210-30G</b>	1-7/8												SB210-30G		4.80	
<b>210-31G</b>	1-15/16		7-3/4	6-3/16	4-17/32	7/8	5/8	1-19/32	2-5/32	23/32	7/16	5/8	210-31G	FL210	4.80	
<b>210G</b>		50	197	157	115	22	16	40	54.6	18.0	10.9		210G			
<b>210-32G</b>	2												210-32G			
<b>SBFL211-32G</b>	2												SB211-32G		6.69	
<b>211-34G</b>	2-1/8		8-13/16	7-1/4	5-1/8	1	23/32	1-11/16	2-5/16	23/32	15/32	5/8	211-34G	FL211	6.69	
<b>211G</b>		55	224	184	130	25	18	43	58.5	18.0	11.8		211G			
<b>211-35G</b>	2-3/16												211-35G			
<b>SBFL212-36G</b>	2-1/4												SB212-36G		8.27	
<b>212G</b>		60	9-27/32	7-31/32	5-17/32	1-5/32	23/32	1-29/32	2-21/32	23/32	19/32	5/8	212G	FL212	8.27	
<b>212-38G</b>	2-3/8		250	202	140	29	18	48	67.8	18.0	14.9		212-38G			
<b>212-39G</b>	2-7/16												212-39G			

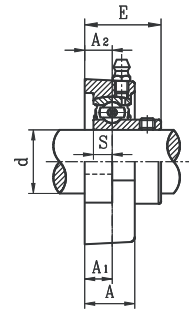
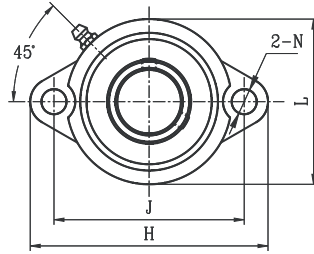
\* Full cover metal shroud seal standard. Full contact rubber seal (2RS suffix) optional.  
Non-relubricatable units also available (remove G suffix). Contact factory.



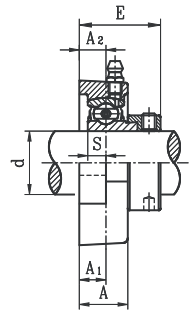


# TWO BOLT FLANGE UNITS

## SBLF LIGHT DUTY SET SCREW LOCKING TYPE



SBLF



SALF

- Cast iron housing
- Narrow inner ring bearing

Unit No.	Shaft Dia. d		Dimension (in) (mm)								Bolt Size (in)	Bearing No.	Housing No.	Weight (lb)		
	(in.)	(mm)	H	J	L	A <sub>2</sub>	A	A <sub>1</sub>	N	S					E	
<b>SBLF201G</b>		12														
<b>201-8G</b>	1/2	15														0.590
<b>202G</b>			3-3/16	2-1/2	2-7/32	3/8	23/32	3/8	5/16	1/4	1					0.570
<b>202-10G</b>	5/8	17	81	63.5	56	9.5	18	9.5	8	6.0	25.5					0.550
<b>203G</b>																
<b>203-11G</b>	11/16															
<b>SBLF204-12G</b>	3/4	20	3-9/16	2-13/16	2-13/32	7/16	25/32	7/16	13/32	9/32	1-5/32					0.720
<b>204G</b>			90	71.5	61	11	20	11.0	10	7.0	29.0					
<b>SBLF205-14G</b>	7/8	25	3-3/4	3	2-17/32	7/16	25/32	7/16	13/32	5/16	1-7/32					0.83
<b>205G</b>			95	76	64	11	20	11.0	10	7.5	30.5					
<b>205-15G</b>	15/16															
<b>205-16G</b>	1															
<b>SBLF206-18G</b>	1-1/8	30	4-15/32	3-9/16	3	15/32	7/8	15/32	15/32	5/16	1-11/32					1.230
<b>206G</b>			113	90.5	76	12	22.5	12.0	12	8.0	34.0					
<b>206-19G</b>	1-3/16															
<b>206-20G</b>	1-1/4															
<b>SBLF207-20G</b>	1-1/4	35	4-13/16	3-15/16	3-1/2	1/2	15/16	17/32	15/32	11/32	1-7/16					1.760
<b>207-21G</b>			122	100	89	13	24	13.0	12	8.5	36.5					
<b>207-22G</b>	1-5/16															
<b>207G</b>	1-3/8															
<b>207-23G</b>	1-7/16															

## SALF LIGHT DUTY ECCENTRIC LOCKING COLLAR TYPE

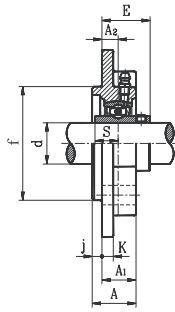
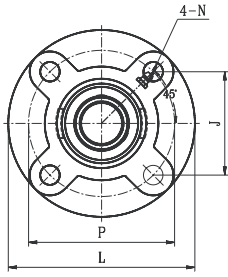
Unit No.	Shaft Dia. d		Dimension (in) (mm)								Bolt Size (in)	Bearing No.	Housing No.	Weight (lb)		
	(in.)	(mm)	H	J	L	A <sub>2</sub>	A	A <sub>1</sub>	N	S					E	
<b>SALF201G</b>		12														0.660
<b>201-8G</b>	1/2	15														0.640
<b>202G</b>			3-3/16	2-1/2	2-7/32	3/8	23/32	3/8	5/16	1/4	1-1/4					0.620
<b>202-10G</b>	5/8	17	81	63.5	56	9.5	18	9.5	8	6.5	31.6					
<b>203G</b>																
<b>203-11G</b>	11/16															
<b>SALF204-12G</b>	3/4	20	3-9/16	2-13/16	2-13/32	7/16	25/32	7/16	13/32	5/16	1-11/32					0.730
<b>204G</b>			90	71.5	61	11.0	20	11.0	10	7.5	34.4					
<b>SALF205-14G</b>	7/8	25	3-3/4	3	2-17/32	7/16	25/32	7/16	13/32	5/16	1-11/32					0.93
<b>205G</b>			95	76.0	64	11.0	20	11.0	10	7.5	34.4					
<b>205-15G</b>	15/16															
<b>205-16G</b>	1															
<b>SALF206-18G</b>	1-1/8	30	4-15/32	3-9/16	3	15/32	7/8	15/32	15/32	11/32	1-17/32					1.320
<b>206G</b>			113	90.5	76	12.0	22.5	12.0	12	9.0	38.7					
<b>206-19G</b>	1-3/16															
<b>206-20G</b>	1-1/4															
<b>SALF207-20G</b>	1-1/4	35	4-13/16	3-15/16	3-1/2	17/32	15/16	17/32	15/32	3/8	1-21/32					1.870
<b>207-21G</b>			122	100.0	89	13.0	24	13.0	12	9.5	42.4					
<b>207-22G</b>	1-5/16															
<b>207G</b>	1-3/8															
<b>207-23G</b>	1-7/16															

- \* Full cover metal shroud seal standard. Full contact rubber seal (2RS suffix) optional.  
Non-relubricatable units also available (remove G suffix). Contact factory.



# ROUND FLANGE UNITS

## UCFC STANDARD DUTY SET SCREW LOCKING TYPE



- Cast iron housing
- Wide inner ring bearing

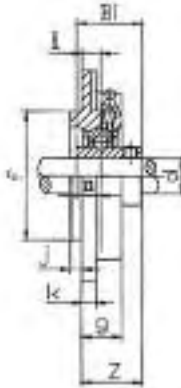
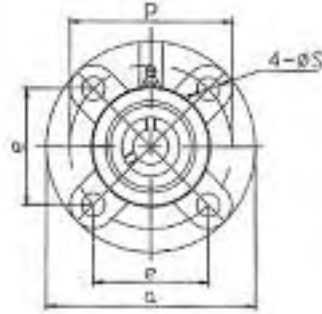
Unit No.	Shaft Dia. d		Dimension (in) (mm)												Bolt Size (in)	Bearing No.	Housing No.	Weight (lb)		
	(in.)	(mm)	L	P	A <sub>2</sub>	A <sub>1</sub>	A	j	K	N	J	f	S	E						
UCFC201S 201-8S 202S 202-10S 203S 203-11S	12 1/2 15 5/8 17 11/16																	UC201S 201-8S 202S 202-10S 203S 203-11S	FC203	1.23
UCFC201 201-8 202 202-10 203 203-11 204-12 204	12 1/2 15 5/8 17 11/16 3/4 20																	UC201 201-8 202 202-10 203 203-11 204-12 204	FC204	1.74
UCFC205-14 205-15 205 205-16	7/8 15/16 25 1																	UC205-14 205-15 205 205-16	FC205	2.12
UCFC206-18 206 206-19 206-20	1-1/8 1-3/16 1-1/4																	UC206-18 206 206-19 206-20	FC206	3.01
UCFC207-20 207-21 207-22 207 207-23	1-1/4 1-5/16 1-3/8 35 1-7/16																	UC207-20 207-21 207-22 207 207-23	FC207	3.74
UCFC208-24 208-25 208	1-1/2 1-9/16 40																	UC208-24 208-25 208	FC208	4.40
UCFC209-26 209-27 209-28 209	1-5/8 1-11/16 1-3/4 45																	UC209-26 209-27 209-28 209	FC209	5.92
UCFC210-30 210-31 210	1-7/8 1-15/16 50																	UC210-30 210-31 210	FC210	6.39
UCFC211-32 211-34 211 211-35	2 2-1/8 55 2-3/16																	UC211-32 211-34 211 211-35	FC211	8.6
UCFC212-36 212 212-38 212-39	2-1/4 60 2-3/8 2-7/16																	UC212-36 212 212-38 212-39	FC212	9.7
UCFC213-40 213	2-1/2 65																	UC213-40 213	FC213	11.7
UCFC214-44 214	2-3/4 70																	UC214-44 214	FC214	14.99
UCFC215-48 215	75																	UC215 215-48	FC215	15.87
UCFC216	80																	UC216	FC216	19.18
UCFC217-52 217	3-1/4 85																	UC217-52 217	FC217	22.66
UCFC218-56 218	3-1/2 90																	UC218-56 218	FC218	29.70

\* Dual seal standard. Triple lip seal (R3 suffix) optional.



# ROUND FLANGE UNITS

## UCFCSX MEDIUM DUTY SET SCREW LOCKING TYPE



- Cast iron housing
- Wide inner ring bearing

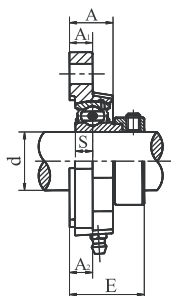
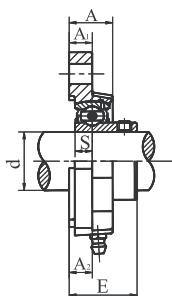
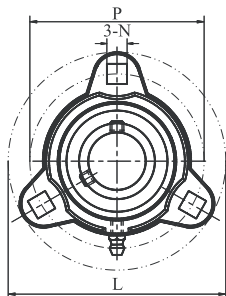
Unit No.	Shaft Dia. d (in.) (mm)	Dimension (in) (mm)												Bolt Size (in)	Bearing No.	Housing No.	Weight (lb)
		a	p	e	l	s	j	k	g	f	z	Bi	n				
UCFCSX05-16 UCFCSX05-25MM	1 25	4-3/8 111	3-5/8 92	2-9/16 65	13/32 10	3/8 9.5	1/4 6	3/8 9.5	31/32 24	3 76	1-9/32 32.2	1-1/2 38.1	21/32 15.9	5/16	UCX05-16 UCX05-25MM	FCSX05	2.45
UCFCSX06-18 UCFCSX06-19 UCFCSX06-20 UCFCSX06-30MM	1-1/8 1-3/16 1-1/4 30	5 127	4-5/32 105	2-15/16 74.2	11/32 8	1/2 12	3/8 9.5	3/8 9.5	29/32 22.5	3-3/8 85	1-11/32 33.4	1-23/32 42.9	23/32 17.5	3/8	UCX06-18 UCX06-19 UC207-20 UCX06-30MM	FCSX06	3.30
UCFCSX07-22 UCFCSX07-23 UCFCSX07-35MM	1-3/8 1-7/16 35	5-1/4 133	4-3/8 111	3-3/32 78.5	3/8 9	1/2 12	7/16 11	7/16 11	1-1/32 26	3-5/8 92	1-9/16 39.2	1-15/16 49.2	3/4 19	3/8	UCX07-22 UCX07-23 UCX07-35MM	FCSX07	3.97
UCFCSX08-24 UCFCSX08-40MM	1-1/2 40	5-1/4 133	4-3/8 111	3-3/32 78.5	3/8 9	1/2 12	7/16 11	7/16 11	1-1/32 26	3-5/8 92	1-9/16 39.2	1-15/16 49.2	3/4 19	3/8	UCX08-24 UCX08-40MM	FCSX08	4.85
UCFCSX09-26 UCFCSX09-27 UCFCSX09-28 UCFCSX09-45MM	1-5/8 1-11/16 1-3/4 45	6-1/8 155	5-1/8 130	3-5/8 91.9	11/32 8	9/16 14	1/2 12	7/16 11	1 25	4-9/32 108	1-5/8 40.6	2-1/16 51.6	3/4 19	3/8	UCX09-26 UCX09-27 UCX09-28 UCX09-45MM	FCSX09	5.97
UCFCSX10-30 UCFCSX10-31 UCFCSX10-32 UCFCSX10-50MM	1-7/8 1-15/16 2 50	6-13/32 162	5-3/8 136	3-13/16 96.2	9/32 7	9/16 14	21/32 16	7/16 11	1 25	4-21/32 118	1-19/32 40.4	2-7/32 55.6	7/8 22.2	1/2	UCX10-30 UCX10-31 UC211-32 UCX10-50MM	FCSX10	7.27
UCFCSX11-34 UCFCSX11-35 UCFCSX11-36 UCFCSX11-55MM	2-1/8 2-3/16 2-1/4 55	7-3/32 180	6 152	4-9/32 108	3/16 4	21/32 16	7/8 22	17/32 13	1-1/32 26	5 127	1-3/4 43.7	2-19/32 65.1	1 25.4	1/2 9/16	UCX11-34 UCX11-35 UCX212-36 UCX11-55MM	FCSX11	9.92
UCFCSX12-38 UCFCSX12-39 UCFCSX12-60MM	2-3/8 2-7/16 60	7-21/32 194	6-1/2 165	4-5/8 117	7/16 11	21/32 16	13/16 20	9/16 14	1-5/16 33	5-17/32 140	2 50.7	2-31/32 75.1	1 25.4	9/16	UCX12-38 UCX12-39 UCX12-60MM	FCSX12	12.56
UCFCSX13-40 UCFCSX13-65MM	2-1/2 65	7-21/32 194	6-1/2 165	4-5/8 117	7/16 11	21/32 16	13/16 20	9/16 14	1-5/16 33	5-17/32 140	2-3/16 55.4	2-15/16 74.6	1-7/32 30.2	9/16	UCX13-40 UCX13-65MM	FCSX13	14.33
UCFCSX14-43 UCFCSX14-44 UCFCSX14-70MM	2-11/16 2-3/4 70	8-3/4 222	7-1/2 190	5-9/32 134	9/16 14	3/4 19	13/16 20	9/16 14	1-7/16 36	6-3/8 162	2-5/16 58.5	3-3/32 77.8	1-5/16 33.3	5/8	UCX14-43 UCX14-44 UCX14-70MM	FCSX14	15.87
UCFCSX15-47 UCFCSX15-48 UCFCSX15-75MM	2-15/16 3 75	8-3/4 222	7-1/2 190	5-9/32 134	1/2 12	3/4 19	7/8 22	21/32 16	1-13/32 35	6-3/8 162	2-7/16 61.3	3-9/32 82.6	1-5/16 33.3	5/8	UCX15-47 UCX15-48 UCX15-75MM	FCSX15	17.64

\* Dual seal standard. Triple lip seal (R3 suffix) optional.



# THREE BOLT FLANGE UNITS

## SBFCT DUCTILE IRON LIGHT DUTY SET SCREW TYPE SAFCT DUCTILE IRON LIGHT DUTY ECCENTRIC LOCKING COLLAR TYPE



**SBFCT**  
SET SCREW TYPE

**SAFCT**  
ECCENTRIC LOCKING  
COLLAR TYPE

- Ductile iron housing
- Narrow inner ring bearing

FLANGES

Unit No.	Shaft Dia. d		Dimension (in) (mm)								Bolt Size	Bearing No.	Housing No.	Weight (lb)	
	(in.)	(mm)	L	P	A <sub>1</sub>	A	A <sub>2</sub>	N	S	E					
<b>SBFCT201G</b> 201-8G 202G 202-10G 203G 203-11G	1/2 5/8 11/16	12 15 17													
			3-3/16 81	2-1/2 63.5	13/32 10.7	3/4 19.1	13/32 10.7	9/32 7.1	1/4 6	1-1/32 26.7	1/4	SB201G 201-8G 202G 202-10G 203G 203-11G	FCT203	0.46	
<b>SBFCT204-12G</b> 204G	3/4	20	3-9/16 90.5	2-13/16 71.4	7/16 11.1	25/32 19.8	7/16 11.1	11/32 8.7	9/32 7	1-5/32 29.1	5/16	SB204-12G 204G	FCT204	0.71	
<b>SBFCT205-14G</b> 205-15G 205G 205-16G	7/8 15/16 1	25	3-3/4 95.2	3 76.2	13/32 10.3	25/32 19.8	13/32 10.3	11/32 8.7	9/32 7.5	1-3/16 29.8	5/16	SB205-14G 205-15G 205G 205-16G	FCT205	0.79	
<b>SBFCT206-18G</b> 206G 206-19G 206-20G	1-1/8 1-3/16 1-1/4	30	4-7/16 113	3-9/16 90.5	15/32 12	7/8 22	15/32 12	13/32 10.3	5/16 8	1-11/32 34	3/8	SB206-18G 206G 206-19G 206-20G	FCT206	0.82	
<b>SBFCT207-20G</b> 207-21G 207-22G 207G 207-23G	1-1/4 1-5/16 1-3/8 1-7/16	35	4-13/16 122.5	3-15/16 100	1/2 12.7	15/16 23.8	1/2 12.7	13/32 10.3	11/32 8.5	1-7/16 36.2	3/8	SB207-20G 207-21G 207-22G 207G 207-23G	FCT207	1.57	

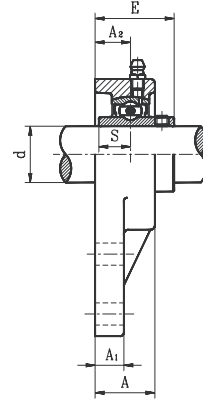
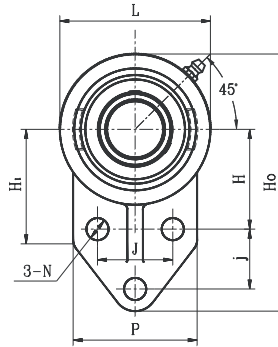
Unit No.	Shaft Dia. d		Dimension (in) (mm)								Bolt Size	Bearing No.	Housing No.	Weight (lb)
	(in.)	(mm)	L	P	A <sub>1</sub>	A	A <sub>2</sub>	N	S	E				
<b>SAFCT201G</b> 201-8G 202G 202-10G 203G 203-11G	1/2 5/8 11/16	12 15 17												
			3-3/16 81	2-1/2 63.5	13/32 10.7	3/4 19.1	13/32 10.7	9/32 7.1	1/4 6.5	9/32 32.8	1/4	SA201G 201-8G 202G 202-10G 203G 203-11G	FCT203	0.57
<b>SAFCT204-12G</b> 204G	3/4	20	3-9/16 90.5	2-13/16 71.4	7/16 11.1	25/32 19.8	7/16 11.1	11/32 8.7	9/32 7.5	11/32 34.5	5/16	SA204-12G 204G	FCT204	0.75
<b>SAFCT205-14G</b> 205-15G 205G 205-16G	7/8 15/16 1	25	3-3/4 95.2	3 76.2	13/32 10.3	25/32 19.8	13/32 10.3	11/32 8.7	9/32 7.5	5/16 33.7	5/16	SA205-14G 205-15G 205G 205-16G	FCT205	0.86
<b>SAFCT206-18G</b> 206G 206-19G 206-20G	1-1/8 1-3/16 1-1/4	30	4-7/16 113	3-9/16 90.5	15/32 12	7/8 22	15/32 12	13/32 10.3	11/32 9	1-1/2 38.7	3/8	SA206-18G 206G 206-19G 206-20G	FCT206	1.34
<b>SAFCT207-20G</b> 207-21G 207-22G 207G 207-23G	1-1/4 1-5/16 1-3/8 1-7/16	35	4-13/16 122.5	3-15/16 100	1/2 12.7	15/16 23.8	1/2 12.7	13/32 10.3	3/8 9.5	1-21/32 42.1	3/8	SA207-20G 207-21G 207-22G 207G 207-23G	FCT207	1.81

\* Full cover metal shroud seal standard. Full contact rubber seal (2RS suffix) optional.  
Non-relubricatable units also available (remove G suffix). Contact factory.



# FLANGE BRACKET UNITS

## UCFB STANDARD DUTY SET SCREW LOCKING TYPE



- Cast iron housing
- Wide inner ring bearing

Unit No.	Shaft Dia. d (in.) (mm)	Dimension (in) (mm)													Bolt Size (in)	Bearing No.	Housing No.	Weight (lb)	
		H0	L	H1	P	H	j	J	A	A1	A2	N	E	S					
UCFB201S 201-8S 202S 202-10S 203S 203-11S	1/2 5/8 11/16	12 15 17	4-3/32 104	2-5/32 55	1-31/32 50	1-15/16 49	1-19/32 40	1-1/16 27	1-3/16 30	15/16 23.5	13/32 10	9/16 14	13/32 10	1-3/16 29.9	7/16 11.5	5/16	UC201S 201-8S 202S 202-10S 203S 203-11S	FB203	0.93
UCFB201 201-8 202 202-10 203 203-11 204-12 204	1/2 5/8 11/16 3/4	12 15 17 20	4-5/16 109	2-3/8 60	2-1/16 52	2-1/16 52	1-21/32 42	1-1/16 27	1-1/4 32	1 25.5	7/16 11	19/32 15	13/32 10	1-5/16 33.0	1/2 12.7	5/16	UC201 201-8 202 202-10 203 203-11 204-12 204	FB204	1.43
UCFB205-14 205-15 205 205-16	7/8 15/16 1	25	4-9/16 116	2-11/16 68	2-1/16 52	2-7/32 56	1-25/32 45	1-1/16 27	1-11/32 34	1-1/16 27.0	1/2 13	5/8 16	13/32 10	1-13/32 35.7	9/16 14.3	5/16	UC205-14 205-15 205 205-16	FB205	1.52
UCFB206-18 206 206-19 206-20	1-1/8 1-3/16 1-1/4	30	5-3/16 132	3-5/32 80	2-5/32 55	2-9/16 65	1-31/32 50	1-5/32 29	1-19/32 40	107/32 31.0	1/2 13	23/32 18	13/32 10	1-19/32 40.2	5/8 15.9	5/16	UC206-18 206 206-19 206-20	FB206	2.05
UCFB207-20 207-21 207-22 207 207-23	1-1/4 1-5/16 1-3/8 1-7/16	35	5-11/16 144	3-9/16 90	2-7/16 62	2-3/4 70	2-5/32 55	1-1/4 32	1-13/16 46	1-5/16 33.0	9/16 14	3/4 19	13/32 10	1-3/4 44.4	11/16 17.5	5/16	UC207-20 207-21 207-22 207 207-23	FB207	2.90
UCFB208-24 208-25 208	1-1/2 1-9/16	40	6-15/32 164	3-15/16 100	2-27/32 72	3-1/16 78	2-3/8 60	1-5/8 41	1-31/32 50	1-3/8 35.0	11/16 17	27/32 21	15/32 12	2-1/32 51.2	3/4 19.0	3/8	UC208-24 208-25 208	FB208	4.00
UCFB209-26 209-27 209-28 209	1-5/8 1-11/16 1-3/4	45	6-29/32 175	4-1/4 108	3 76	3-5/32 80	2-9/16 65	1-11/16 43	2-1/8 54	1-1/2 38.0	5/8 16	7/8 22	15/32 12	1-1/16 52.2	3/4 19.0	3/8	UC209-26 209-27 209-28 209	FB209	4.40
UCFB210-30 210-31 210 210-32	1-7/8 1-15/16 2	50	7-1/4 184	4-1/2 114	3-7/32 82	3-3/8 86	2-11/16 68	1-13/16 46	2-9/32 58	1-17/32 39.0	5/8 16	7/8 22	15/32 12	2-5/32 54.6	3/4 19.0	3/8	UC210-30 210-31 210 210-32	FB210	5.10
UCFB211-32 211-34 211 211-35	2 2-1/8 2-3/16	55	8-3/16 208	5-1/32 128	3-3/8 86	3-17/32 90	3-1/16 78	1-31/32 50	2-7/16 62	1-11/16 42.5	23/32 18	1 25	9/16 14	2-5/16 58.4	7/8 22.2	1/2	UC211-32 211-34 211 211-35	FB211	6.60
UCFB212-36 212 212-38 212-39	2-1/4 2-3/8 2-7/16	60	8-13/16 224	5-1/2 140	3-9/16 90	3-23/32 94	3-5/16 84	2-5/32 55	2-19/32 66	1-7/8 47.5	3/4 19	1-5/32 29	9/16 14	2-23/32 68.7	1 25.4	1/2	UC212-36 212 212-38 212-39	FB212	8.40
UCFB213-40 213	2-1/2	65	9-5/8 244	6 152	3-3/4 95	4-1/32 102	3-5/8 92	2-3/8 60	2-3/4 70	1-15/16 49	25/32 20	1-3/16 30	9/16 14	2-3/4 69.7	1 25.4	1/2	UC213-40 213	FB213	10.50

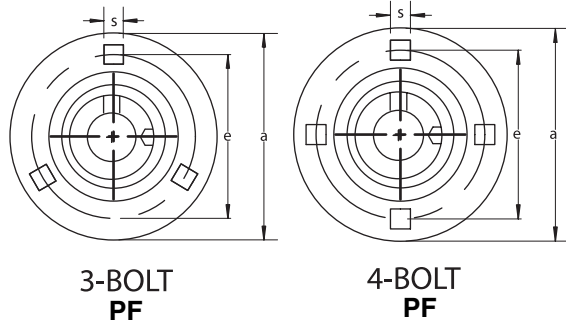
\* Dual seal standard. Triple lip seal (R3 suffix) optional.





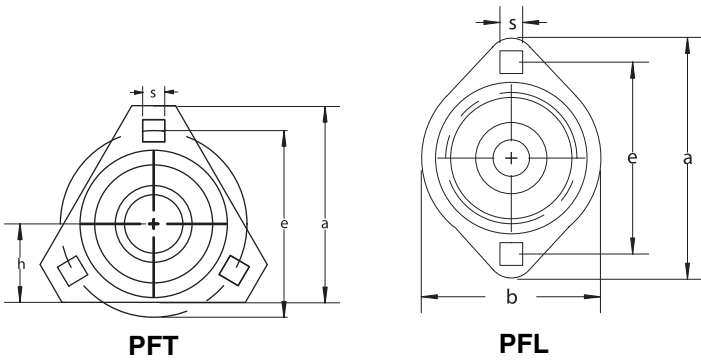
# STAMPED STEEL FLANGES

PFL TWO BOLT FLANGES  
 PF THREE & FOUR BOLT ROUND FLANGES  
 PFT THREE BOLT TRIANGULAR FLANGES



3-BOLT  
PF

4-BOLT  
PF



PFT

PFL



• Zinc-plated stamped steel

FLANGES

## PFL TWO BOLT STAMPED FLANGES

Unit No.	Dimensions			
	a	b	e	s
PFL203	3-3/16	2-5//16	2-1/2	9/32
PFL204	3-9/16	2-5/8	2-13/16	11/32
PFL205	3-3/4	2-51/64	3	11/32
PFL206	4-7/16	3-5/16	3-9/16	13/32

## PFT THREE BOLT TRIANGULAR FLANGES

Unit No.	Dimensions			
	a	e	h	s
PFT203	3-3/16	2-1/2	1-1/8	9/32
PFT204	3-9/16	2-13/16	1-5/16	11/32
PFT205	3-3/4	3	1-3/8	11/32
PFT206	4-7/16	3-9/16	1-1/2	13/32
PFT207	4-13/16	3-15/16	1-3/4	13/32

## PF FOUR BOLT ROUND FLANGES

Unit No.	Dimensions		
	a	e	s
PF208	5-13/16	4-11/16	17/32
PF209	5-7/8	4-3/4	17/32
PF210	6-1/8	5	17/32

## PF THREE BOLT ROUND FLANGES

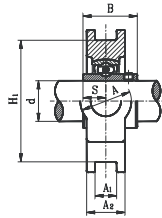
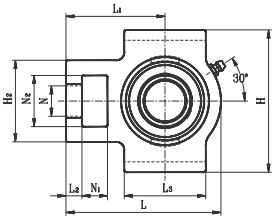
Unit No.	Dimensions		
	a	e	s
PF203	3-3/16	2-1/2	9/32
PF204	3-9/16	2-13/16	11/32
PF205	3-3/4	3	11/32
PF206	4-7/16	3-9/16	13/32
PF207	4-13/16	3-15/16	13/32





# TAKE UP UNITS

## UCT STANDARD DUTY SET SCREW LOCKING TYPE - NARROW SLOT



- Cast iron housing - narrow slot
- Wide inner ring bearing

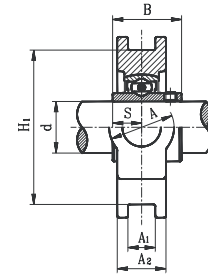
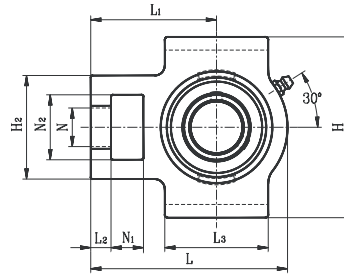
Unit No.	Shaft Dia. d (in.) (mm)	Dimensions (in) (mm)															Bearing No.	Housing No.	Weight (lb)	
		N1	L2	H2	N2	N	L3	A1	H1	H	L	A	A2	L1	B	S				
UCT201S 201-8S 202S 202-10S 203S 203-11S	12 1/2 15 5/8 17 11/16																	UC201S 201-8S 202S 202-10S 203S 203-11S	T203	1.50
UCT201 201-8 202 202-10 203 203-11 204-12 204	12 1/2 15 5/8 17 11/16 3/4 20																	UC201 201-8 202 202-10 203 203-11 204-12 204	T204	1.80
UCT205-14 205-15 205 205-16	7/8 15/16 25 1																	UC205-14 205-15 205 205-16	T205	1.90
UCT206-18 206 206-19 206-20	1-1/8 30 1-3/16 1-1/4																	UC206-18 206 206-19 206-20	T206	2.90
UCT207-20 207-21 207-22 207 207-23	1-1/4 1-5/16 1-3/8 35 1-7/16																	UC207-20 207-21 207-22 207 207-23	T207	3.70
UCT208-24 208-25 208	1-1/2 1-9/16 40																	UC208-24 208-25 208	T208	5.50
UCT209-26 209-27 209-28 209	1-5/8 1-11/16 1-3/4 45																	UC209-26 209-27 209-28 209	T209	5.50
UCT210-30 210-31 210	1-7/8 1-15/16 50																	UC210-30 210-31 210	T210	5.70
UCT211-32 211-34 211 211-35	2 2-1/8 55 2-3/16																	UC211-32 211-34 211 211-35	T211	8.80
UCT212-36 212 212-38 212-39	2-1/4 60 2-3/8 2-7/16																	UC212-36 212 212-38 212-39	T212	10.80
UCT213-40 213	2-1/2 65																	UC213-40 213	T213	15.40
UCT214-44 214	2-3/4 70																	UC214-44 214	T214	15.74
UCT215 215-48	75 3																	UC215 215-48	T215	16.50
UCT216	80																	UC216	T216	18.00
UCT217-52 217	3-1/4 85																	UC217-52 217	T217	24.30

\* Dual seal standard. Triple lip seal (R3 suffix) optional.



# TAKE UP UNITS

## UCST STANDARD DUTY SET SCREW LOCKING TYPE - WIDE SLOT



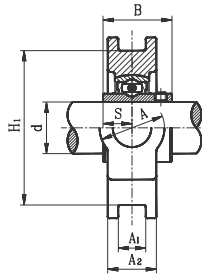
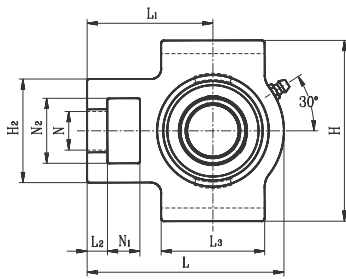
- Cast iron housing - wide slot
- Wide inner ring bearing

Unit No.	Shaft Dia. d		Dimensions (in) (mm)														Bearing No.	Housing No.	Weight (lb)	
	(in.)	(mm)	N1	L2	H2	N2	N	L3	A1	H1	H	L	A	A2	L1	B				S
UCST201		12																UC201		
201-8	1/2	15																201-8		
202																		202		
202-10	5/8	17	5/8	13/32	2	1-1/4	3/4	2	17/32	3	3-1/2	3-23/32	1-1/4	27/32	2-13/32	1-7/32	1/2	202-10	ST204	1.80
203			16	10	51	32	19	51	13.5	76	89	94	32	21	61	31.0	12.7	203		
203-11	11/16																	203-11		
204-12	3/4																	204-12		
204		20																204		
UCST205-14	7/8																	UC205-14		
205-15	15/16	25	5/8	13/32	2	1-1/4	3/4	2	17/32	3	3-1/2	3-13/16	1-1/4	15/16	2-7/16	1-11/32	9/16	205-15	ST205	1.90
205			16	10	51	32	19	51	13.5	76	89	97	32	24	62	34.0	14.3	205		
205-16	1																	205-16		
UCST206-18	1-1/8																	UC206-18		
206		30	5/8	13/32	2-7/32	1-15/32	7/8	2-1/4	17/32	3-1/2	4-1/32	4-7/16	1-15/32	1-3/32	2-3/4	1-1/2	5/8	206	ST206	2.90
206-19	1-3/16		16	10	56	37	22	57	13.5	89	102	113	37	28	70	38.1	15.9	206-19		
206-20	1-1/4																	206-20		
UCST207-20	1-1/4																	UC207-20		
207-21	1-5/16		5/8	1/2	2-17/32	1-15/32	7/8	2-17/32	17/32	3-1/2	4-1/32	5-3/32	1-15/32	1-3/16	3-1/16	1-11/16	11/16	207-21	ST207	3.70
207-22	1-3/8	35	16	13	64	37	22	64	13.5	89	102	129	37	30	78	42.9	17.5	207-22		
207																		207		
207-23	1-7/16																	207-23		
UCST208-24	1-1/2																	UC208-24		
208-25	1-9/16	40	3/4	5/8	3-9/32	1-15/16	1-5/32	3-1/4	11/16	4-1/32	4-1/2	5-11/16	1-15/16	1-5/16	3-15/32	1-15/16	3/4	208-25	ST208	5.50
208			19	16	83	49	29	83	17.5	102	114	144	49	33	88	49.2	19.0	208		
UCST209-26	1-5/8																	UC209-26		
209-27	1-11/16		3/4	5/8	3-9/32	1-15/16	1-5/32	3-1/4	11/16	4-1/32	4-5/8	5-11/16	1-15/16	1-3/8	3-7/16	1-15/16	3/4	209-27	ST209	5.50
209-28	1-3/4	45	19	16	83	49	29	83	17.5	102	117	144	49	35	87	49.2	19.0	209-28		
209																		209		
UCST210-30	1-7/8																	UC210-30		
210-31	1-15/16	50	3/4	5/8	3-9/32	1-15/16	1-5/32	3-3/8	11/16	4-1/32	4-5/8	5-7/8	1-15/16	1-15/32	3-9/16	2-1/32	3/4	210-31	ST210	5.70
210			19	16	83	49	29	86	17.5	102	117	149	49	37	90	51.6	19.0	210		
UCST211-32	2																	UC211-32		
211-34	2-1/8	55	1	3/4	4-1/32	2-17/32	1-3/8	3-3/4	1-1/16	5-1/8	5-3/4	6-23/32	2-17/32	1-1/2	4-3/16	2-31/6	7/8	211-34	ST211	8.80
211			25	19	102	64	35	95	27	130	146	171	64	38	106	55.6	22.2	211		
211-35	2-3/16																	211-35		
UCST212-36	2-1/4	60	1-1/4	3/4	4-1/32	2-17/32	1-3/8	4-1/32	1-1/16	5-1/8	5-3/4	7-21/32	2-17/32	1-21/32	4-11/16	2-9/16	1	UC212-36		
212			32	19	102	64	35	102	27	130	146	194	64	42	119	65.1	25.4	212	ST212	10.80
212-38	2-3/8																	212-38		
212-39	2-7/16																	212-39		

\* Dual seal standard. Triple lip seal (R3 suffix) optional.



## UCSTX MEDIUM DUTY SET SCREW LOCKING TYPE - WIDE SLOT



- Cast iron housing – wide slot
- Wide inner ring bearing

Unit No.	Shaft Dia. d (in.) (mm)	Dimension (in) (mm)															Bearing No.	Housing No.	Weight (lb)
		N1	L2	H2	N2	N	L3	A1	H1	H	L	A	A2	L1	B	S			
UCSTX05-16 UCSTX05-25MM	1 25	21/32 16	13/32 10	2-7/32 56	1-15/32 37	7/8 22	2-1/4 57	9/16 13.5	3-17/32 89	4-1/32 102	4-15/32 113	1-15/32 37	1-1/8 28	2-25/32 70	1-1/2 38.1	21/32 15.9	UCX05-16 UCX05-25MM	ST206	2.866
UCST206-18 UCSTX06-19 UCSTX06-20 UCSTX06-30MM	1 1/8 1 3/16 1 1/4 30	21/32 16	17/32 13	2-17/32 64	1-15/32 37	7/8 22	2-17/32 64	9/16 13.5	3-17/32 89	4-1/32 102	5-3/32 129	1-15/32 37	1-3/16 30	3-3/32 78	1-11/16 42.9	23/32 17.5	UC206-18 UCX06-19 UCX06-20 UCX06-30MM	ST207	3.747
UCSTX07-22 UCSTX07-23 UCSTX07-35MM	1 3/8 1 7/16 35	3/4 19	21/32 16	3-9/32 83	1-15/16 49	1-5/32 29	3-9/32 83	23/32 17.5	4-1/32 102	4-1/2 114	5-11/16 144	1-15/16 49	1-5/16 33	3-15/32 88	1-15/16 49.2	3/4 19	UCX07-22 UCX07-23 UCX07-35MM	ST208	5.511
UCSTX08-24 UCSTX08-40MM	1 1/2 40	3/4 19	21/32 16	3-9/32 83	1-15/16 49	1-5/32 29	3-9/32 83	23/32 17.5	4-1/32 102	4-5/8 117	5-11/16 144	1-15/16 49	1-13/32 35	3-7/16 87	1-15/16 49.2	3/4 19	UCX08-24 UCX08-40MM	ST209	5.511
UCSTX09-26 UCSTX09-27 UCSTX09-28 UCSTX09-45MM	1 5/8 1 11/16 1 3/4 45	3/4 19	21/32 16	3-9/32 83	1-15/16 49	1-5/32 29	3-13/32 86	23/32 17.5	4-1/32 102	4-5/8 117	5-7/8 149	1-15/16 49	1-15/32 37	3-9/16 90	2-1/32 51.6	3/4 19	UCX09-26 UCX09-27 UCX09-28 UCX09-45MM	ST210	5.732
UCSTX10-30 UCSTX10-31 UCSTX10-32 UCSTX10-50MM	1 7/8 1 15/16 2 50	1 25	3/4 19	4-1/32 102	2-17/32 64	1-13/32 35	3-3/4 95	1-3/32 27	5-1/8 130	5-3/4 146	6-3/4 171	2-17/32 64	1-1/2 38	4-3/16 106	2-7/32 55.6	7/8 22.2	UCX10-30 UCX10-31 UCX10-32 UCX10-50MM	ST211	8.818
UCSTX11-34 UCSTX11-35 UCSTX11-36 UCSTX11-55MM	2 1/8 2 3/16 2 1/4 55	1-9/32 32	3/4 19	4-1/32 102	2-17/32 64	1-13/32 35	4-1/32 102	1-3/32 27	5-1/8 130	5-3/4 146	7-21/32 194	2-17/32 64	1-21/32 42	4-11/16 119	2-19/32 65.1	1 25.4	UCX11-34 UCX11-35 UCX11-36 UCX11-55MM	ST212	10.802
UCSTX12-38 UCSTX12-39 UCSTX12-60MM	2 3/8 2 7/16 60	1-9/32 32	27/32 21	4-3/8 111	2-25/32 70	1-5/8 41	4-25/32 121	1-3/32 27	5-31/32 151	6-19/32 167	8-27/32 224	2-25/32 70	1-3/4 44	5-13/32 137	2-19/32 65.1	1 25.4	UCX12-38 UCX12-39 UCX12-60MM	ST213	11.904
UCSTX13-40 UCSTX13-65MM	2 1/2 65	1-9/32 32	27/32 21	4-3/8 111	2-25/32 70	1-5/8 41	4-25/32 121	1-3/32 27	5-31/32 151	6-19/32 167	8-27/32 224	2-25/32 70	1-13/16 46	5-13/32 137	2-15/16 74.6	1-3/16 30.2	UCX13-40 UCX13-65MM	ST214	15.21
UCSTX14-43 UCSTX14-44 UCSTX14-70MM	2 11/16 2 3/4 70	1-9/32 32	27/32 21	4-3/8 111	2-25/32 70	1-5/8 41	4-25/32 121	1-3/32 27	5-31/32 151	6-19/32 167	9-5/32 232	2-25/32 70	1-29/32 48	5-1/2 140	3-3/32 77.8	1-5/16 33.3	UCX14-43 UCX14-44 UCX14-70MM	ST215	16.31
UCSTX15-47 UCSTX15-48 UCSTX15-75MM	2 15/16 3 75	1-9/32 32	27/32 21	4-3/8 111	2-25/32 70	1-5/8 41	4-25/32 121	1-1/8 28	6-1/2 165	7-9/32 184	9-9/32 235	2-25/32 70	1-29/32 48	5-1/2 140	3-9/32 82.6	1-5/16 33.3	UCX15-47 UCX15-48 UCSTX15-75MM	TX015	16.95

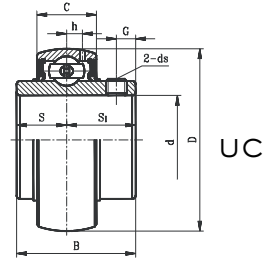
\* Dual seal standard. Triple lip seal (R3 suffix) optional.



# BALL BEARING INSERTS

## UC STANDARD DUTY SET SCREW TYPE

- Wide inner ring bearing
- Lubrication groove with hole on set screw side
- Additional oil hole on opposite side
- Anti-rotation device
- Dual seal



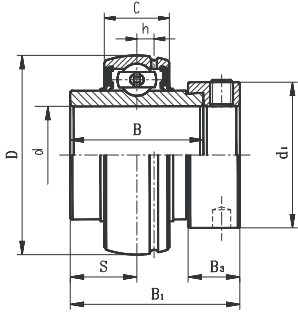
Bearing No.	Shaft Dia. d		Dimension (in) (mm)							Basic load rating (lb)		Weight (lb)	
	(in.)	(mm)	D	B	C	S	S <sub>1</sub>	G	h	D <sub>s</sub>	Dynamic		Static
UC201S		12											0.28
201-8S	1/2												0.28
202S		15	1.5728	1.0787	0.5512	0.4528	0.6260	0.1654	0.1378	10 #-32UNF			0.26
202-10S	5/8		40	27.4	14	11.5	15.9	4.2	3.5	M5X0.8	2146	1074	0.26
203S		17											0.24
203-11S	11/16												0.24
UC201		12											0.51
201-8	1/2												0.48
202		15											0.46
202-10	5/8		1.8540	1.2205	0.6299	0.5000	0.7205	0.1850	0.1732	1/4-28UNF			0.44
203		17	47	31.0	16	12.7	18.3	4.7	4.4	M6X1	2827	1494	0.42
203-11	11/16												0.42
204-12	3/4												0.40
204		20											0.37
UC205-14	7/8												0.51
205-15	15/16		2.0472	1.3386	0.6693	0.5630	0.7756	0.2165	0.1693	1/4-28UNF			0.48
205		25	52	34.0	17	14.3	19.7	5.5	4.3	M6X1	3147	1771	0.46
205-16	1												0.44
UC206-18	1-1/8												0.75
206		30	2.4409	1.5000	0.7480	0.6260	0.8740	0.2165	0.1969	1/4-28UNF			0.71
206-19	1-3/16		62	38.1	19	15.9	22.2	5.5	5.0	M6X1	4383	2517	0.68
206-20	1-1/4												0.66
UC207-20	1-1/4												1.16
207-21	1-5/16		2.8346	1.6890	0.7874	0.6890	1.0000	0.2559	0.2283	5/16-24UNF			1.12
207-22	1-3/8		72	42.9	20	17.5	25.4	6.5	5.8	M8X1	5777	3416	1.05
207		35											1.03
207-23	1-7/16												0.99
UC208-24	1-1/2												1.49
208-25	1-9/16		3.1496	1.9370	0.8268	0.748	1.1890	0.3150	0.2480	5/16-24UNF			1.43
208		40	80	49.2	21	19.0	30.2	8.0	6.3	M8X1	6654	4091	1.41
UC209-26	1-5/8												1.72
209-27	1-11/16		3.3465	1.9370	0.8661	0.7480	1.1890	0.3150	0.2677	5/16-24UNF			1.63
209-28	1-3/4		85	49.2	22	19.0	30.2	8.0	6.8	M8X1	7159	4675	1.54
209		45											1.50
UC210-30	1-7/8												1.92
210-31	1-15/16		3.5433	2.0315	0.9055	0.7480	1.2835	0.3543	0.2559	3/8-24UNF			1.81
210		50	90	51.6	23	19.0	32.6	9.0	6.5	M10X1.25	7890	5215	1.76
210-32	2												1.72
UC211-32	2												2.79
211-34	2-1/8		3.9370	2.1890	0.9843	0.8740	1.3150	0.3543	0.2835	3/8-24UNF			2.57
211		55	100	55.6	25	22.2	33.4	9.0	7.2	M10X1.25	9790	6564	2.46
211-35	2-3/16												2.42
UC212-36	2-1/4												3.67
212		60	4.3307	2.5630	1.0630	1.000	1.5630	0.4134	0.3228	3/8-24UNF			3.36
212-38	2-3/8		110	65.1	27	25.4	39.7	10.5	8.2	M10X1.25	10745	7373	3.36
212-39	2-7/16												3.19
UC213-40	2-1/2												4.27
213		65	4.7244	2.5630	1.1024	1.0000	1.5630	0.4724	0.3159	3/8-24UNF			4.09
			120	65.1	28	25.4	39.7	12.0	8.0	M12X1.25	12858	8992	
UC214-44	2-3/4												4.53
214		70	4.9213	2.9370	1.1811	1.1890	1.7480	0.4724	0.3543	7/16-20UNF			4.51
			125	74.6	30	30.2	44.4	12.0	9.0	M12X1.25	13668	10116	
UC215-47	2-15/16												5.06
215		75	5.1181	3.0630	1.1811	1.3110	1.7520	0.4724	0.3543	7/16-20UNF			4.86
215-48	3		130	77.8	30	33.3	44.5	12.0	9.0	M12X1.25	14836	11127	4.69
UC216													6.14
		80	5.5118	3.2520	1.2992	1.3110	1.9410	0.5512	0.4055	7/16-20UNF			
			140	82.6	33	33.3	49.3	14.0	10.3	M12X1.25	16013	12184	
UC217-52	3-1/4												7.92
217		85	5.9055	3.3740	1.3780	1.3425	2.0315	0.5512	0.4331	7/16-20UNF			7.44
			150	85.7	35	34.1	51.6	14.0	11.0	M12X1.25	18703	14342	
UC218-56	3-1/2												10.03
218		90	6.2992	3.7795	1.4567	1.5630	2.2165	0.5512	0.4724	1/2-20UNF			9.79
			160	96.0	37	39.7	56.3	14.0	12.0	M12X1.25	21558	16073	
UC220		100											12.25
220-64	4		7.0866	4.2520	1.5748	1.6535	2.5984	0.6299	0.4764	5/8-18UNF			12.78
			180	108.0	40	42.0	66.0	16.0	12.1	M16X1.5	27426	20861	

\* Dual seal standard. Triple lip seal (R3 suffix) optional. Also available in free spinning design and/or with black oxide finish. Contact factory.



# BALL BEARING INSERTS

## HC STANDARD DUTY ECCENTRIC LOCKING COLLAR TYPE



- Wide inner ring bearing
- Lubrication groove with hole on collar side
- Additional oil hole on opposite side
- Anti-rotation device
- Dual seal

Bearing No.	Shaft Dia. d		Dimension (in) (mm)								Eccentric collar	Basic load rating (lb)		Weight (lb)		
	(in.)	(mm)	D	C	B	S	B <sub>1</sub>	B <sub>3</sub>	h	D <sub>1</sub>		Dynamic	Static			
HC201S		12									A201S			0.51		
201-8S	1/2	15	1.5748	0.5512	1.0945	0.5472	1.4685	0.5315	0.1378	1.1260	201-8S	2146	1074	0.51		
202S		15								202S					0.49	
202-10S	5/8	17	40	14	27.8	13.9	37.3	13.5	3.5	28.6	202-10S					0.46
203S		17									203S					0.44
203-11S	11/16										203-11S			0.42		
HC201		12									A201			0.60		
201-8	1/2	15									201-8	2877	1494	0.59		
202		15									202					0.57
202-10	5/8	17	1.8540	0.6299	1.3386	0.6693	1.7126	0.5315	0.1732	1.3110	202-10					0.55
203		17	47	16	34.0	17.0	43.5	13.5	4.4	33.3	203					0.53
203-11	11/16										203-11					0.53
203-12	3/4										203-12					0.51
204		20									204			0.49		
HC205-14	7/8										A205-14			0.62		
205-15	15/16		2.0472	0.6693	1.3701	0.6850	1.7441	0.5315	0.1693	1.5000	205-15	3147	1771	0.60		
205		25	52	17	34.8	17.4	44.3	13.5	4.3	38.1	205					0.55
205-16	1										205-16					0.53
HC206-18	1-1/8										A206-18					0.92
206		30	2.4409	0.7480	1.4331	0.7165	1.9016	0.6260	0.1969	1.7520	206	4383	2517	0.90		
206-19	1-3/16		62	19	36.4	18.2	48.3	15.9	5.0	44.5	206-19					0.88
206-20	1-1/4										206-20					0.84
HC207-20	1-1/4										A207-20					1.46
207-21	1-5/16										207-21	5777	3416	1.43		
207-22	1-3/8		2.8346	0.7874	1.4803	0.7402	2.0118	0.6890	0.2283	2.1890	207-22					1.34
207		35	72	20	37.6	18.8	51.1	17.5	5.8	55.6	207					1.32
207-23	1-7/16										207-23					1.28
HC208-24	1-1/2										A208-24					1.78
208-25	1-9/16		3.1496	0.8268	1.6850	0.8425	2.2165	0.7205	0.2480	2.3740	208-25	6654	4091	1.74		
208		40	80	21	42.8	21.4	56.3	18.3	6.3	60.3	208					1.72
HC209-26	1-5/8										A209-26					2.06
209-27	1-11/16		3.3465	0.8661	1.6850	0.8425	2.2165	0.7205	0.2677	2.5000	209-27	7159	4675	2.01		
209-28	1-3/4		85	22	42.8	21.4	56.3	18.3	6.8	63.5	209-28					1.92
209		45									209					1.87
HC210-30	1-7/8										A210-30					2.48
210-31	1-15/16		3.5433	0.9055	1.9370	0.9685	2.4685	0.7205	0.2559	2.7520	210-31	7890	5215	2.42		
210		50	90	23	49.2	24.6	62.7	18.3	6.5	69.9	210					2.29
HC211-32	2										A211-32					3.31
211-34	2-1/8		3.9370	0.9843	2.1811	1.0906	2.8071	0.8150	0.2835	3.0000	211-34	9790	6564	3.17		
211		55	100	25	55.4	27.7	71.3	20.7	7.2	76.2	211					3.06
211-35	2-3/16										211-35					2.97
HC212-36	2-1/4										A212-36			4.27		
212		60	4.3307	1.0630	2.4331	1.2165	3.0591	0.8780	0.3228	3.3150	212	10745	7373	4.11		
212-38	2-3/8		110	27	61.8	30.9	77.7	22.3	8.2	84.2	212-38					4.07
212-39	2-7/16										212-39					3.87
HC213-40	2-1/2										A213-40					5.40
213		65	4.7244	1.1024	2.685	1.3425	3.3740	0.9252	0.3150	3.3858	213	12858	8992	5.30		
HC214-44	2-3/4		4.9213	1.1811	2.685	1.3425	3.3740	0.9252	0.3543	3.8110	A214-44					5.66
214		70	125	30	68.2	34.1	85.7	23.5	9.0	96.8	214			13668	10116	5.65
HC215-48	3										A215			6.13		
215		75	5.1181	1.1811	2.937	1.4685	3.6260	0.9409	0.3543	4.0160	215-48	14836	11127	6.03		
HC216			5.1118	1.2992	2.937	1.4685	3.7480	1.0630	0.4055	4.3307	A216					6.86
		80	140	33	74.6	37.3	95.2	27.0	11.0	119.0		16073	12184			
HC217		85	5.9055	1.3780	2.0945	1.6875	4.06	1.0630	0.4331	4.6850	A217			7.44		
217-52	3-1/4		150	35	53.2	43	103.2	27.0	11.0	119.0	217-52	18703	14342	7.92		
HC218-56	3-1/2		6.2992	1.4567	2.1654	1.75	4.42	0.9449	0.4724	4.7244	A218-56					9.79
218		90	160	37	55.0	44	112.5	24.0	12.0	120.0	218	21558	16073	10.03		

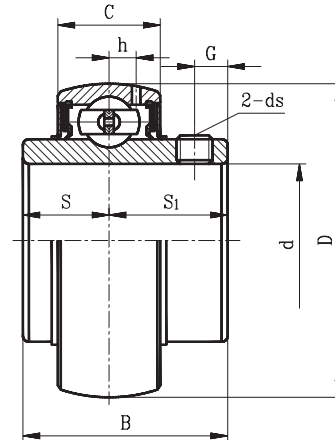
\* Dual seal standard. Triple lip seal (R3 suffix) optional. Also available in free spinning design and/or with black oxide finish. Contact factory.





# BALL BEARING INSERTS

## UCX MEDIUM DUTY SET SCREW LOCKING TYPE



- Wide inner ring bearing
- Lubrication groove with hole on set screw side
- Additional oil hole on opposite side
- Anti-rotation device
- Dual seal

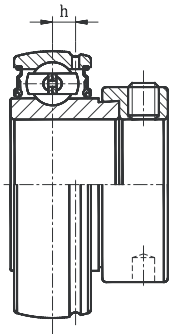
Unit No.	Shaft Dia. d		Dimension (in) (mm)										Basic load rating (lb)		Weight (lb)
	(in.)	(mm)	D	B	C	S	S1	G	h	ds	D	B	Dynamic	Static	
UCX05-16	1		2-15/32	1-1/2	3/4	21/32	7/8	1/4	7/32	1-4/28	2-15/32	1-1/2	4383	2517	0.837
UCX05-25MM		25	62	38.1	19	15.9	22.2	6	5	M6x1	62	38.1			
UCX06-19	1-3/16		2-27/32	1-11/16	1-25/32	11/16	1	9/32	1/4	5/16-24	2-27/32	1-23/32	5777	3416	1.278
UCX06-20	1-1/4														
UCX06-30MM		30	72	42.9	20	17.5	25.4	6.5	5.8	M8x1	72	42.9	1.278		
UCX07-20	1-1/4		3-5/32	1-15/16	27/32	3/4	1-7/32	11/32	1/4	5/16-24	3-5/32	1-15/16	6654	4091	1.653
UCX07-22	1-3/8														
UCX07-23	1-7/16		80	49.2	21	19	30.2	8	6.3	M8x1	80	49.2	6654	4091	1.653
UCX07-35MM		35													
UCX08-24	1-1/2		3-3/8	1-15/16	7/8	3/4	1-7/32	11/32	9/32	5/16-24	3-3/8	1-15/16	7160	4675	1.918
UCX08-40MM		40	85	49.2	22	19	30.2	8	6.8	M8x1	85	49.2			
UCX09-26	1-5/8		3-9/16	2-1/32	29/32	3/4	1-5/16	3/8	9/32	3/8-24	3-9/16	2-1/32	7890	5215	2.425
UCX09-27	1-11/16														
UCX09-28	1-3/4		90	51.6	23	19	32.6	9	6.5	M10x1.25	90	51.6	7890	5215	2.213
UCX09-45MM		45													
UCX10-30	1-7/8		3-15/16	2-7/32	1	7/8	1-11/32	3/8	9/32	3/8-24	3-15/16	2-7/32	9790	6564	3.152
UCX10-31	1-15/16														
UCX10-32	2		100	55.6	25	22.2	33.4	9	7.2	M10x1.25	100	55.6	9790	6564	2.777
UCX10-50MM		50													
UCX11-35	2-3/16		4-11/32	2-5/8	1-3/32	1	1-9/16	13/32	11/32	3/8-24	4-11/32	2-9/16	10745	7373	3.924
UCX11-36	2-1/4														
UCX11-55MM		55	110	65.1	27	25.4	39.7	10.5	8.2	M10x1.25	110	65.1	10745	7373	3.968
UCX12-38	2-3/8		4-3/4	2-5/8	1-1/8	1	1-9/16	15/32	11/32	3/8-24	4-3/4	2-9/16	12858	8992	4.475
UCX12-39	2-7/16														
UCX12-60MM		60	120	65.1	28	25.4	39.7	12	8	M12x1.25	120	65.1	12858	8992	4.519
UCX13-40	2-1/2		4-15/16	2-15/16	1-3/16	1-7/32	1-3/4	15/32	3/8	7/16-20	4-15/16	2-15/16	13667	10116	5.754
UXX13-65MM		65	125	74.6	30	30.2	44.4	12	9	M12x1.25	125	74.6			
UCX14-43MM	2-11/16		5-1/8	3-1/16	1-3/16	1-5/16	1-25/32	15/32	3/8	7/16-20	5-1/8	3-1/16	14836	11127	6.172
UCX14-44MM	2-3/4														
UCX14-70MM		70	130	77.8	30	33.3	44.5	12	9	M12x1.25	130	77.8	14836	11127	6.040
UCX15-47	2-15/16		5-17/32	3-1/4	1-5/16	1-5/16	1-15/16	9/16	13/32	7/16-20	5-17/32	3-9/32	16073	12184	7.719
UCX15-48	3														
UCX15-75MM		75	140	82.6	33	33.3	49.3	14	10.3	M12x1.25	140	82.6	16073	12184	7.517

\* Dual seal standard. Triple lip seal (R3 suffix) optional. Also available in free spinning design and/or with black oxide finish. Contact factory.

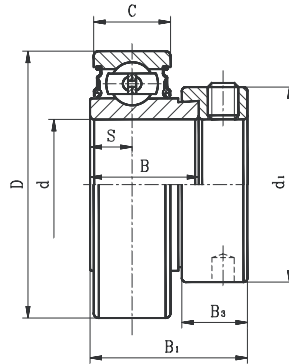


# BALL BEARING INSERTS

SA LIGHT DUTY ECCENTRIC LOCKING COLLAR TYPE  
CSA LIGHT DUTY CYLINDRICAL O.D. TYPE



SA  
(WITH G SUFFIX)



CSA



- Narrow inner ring bearing
- Lubrication groove with hole on collar side and additional oil hole on opposite side (G suffix).

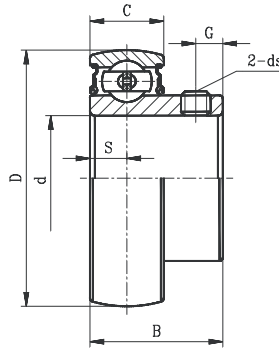
Bearing No.	Shaft Dia. d		Dimension (in) (mm)								Basic load rating (lbs)		Weight (lb)									
	(in.)	(mm)	D	C	B	B <sub>1</sub>	S	h	B <sub>3</sub>	d <sub>1</sub>	Dynamic	Static										
SA201G	1/2	12	1.5748	0.4724	0.7520	1.1260	0.2559	0.1417	0.5315	1.1260	2150	1070	0.31									
201-8G		15												40	12	19.10	28.60	6.5	3.6	13.5	28.6	
202G		5/8												17	40	12	19.10	28.60	6.5	3.6	13.5	28.6
202-10G		5/8												17	40	12	19.10	28.60	6.5	3.6	13.5	28.6
203G	11/16	17	1.5748	0.4724	0.7520	1.1260	0.2559	0.1417	0.5315	1.1260	2150	1070	0.29									
203-11G														11/16	17	40	12	19.10	28.60	6.5	3.6	13.5
CSA104-12	3/4	12	1.6535	0.4724	0.6354	1.0402	0.2362		0.5197	1.2992	2100	1120	0.26									
			42	12	16.14	26.42	6.0		13.2	33.0												
SA204-12G	3/4	20	1.8504	0.5512	0.8425	1.2165	0.2953	0.1575	0.5315	1.3110	2900	1500	0.40									
204G			47	14	21.40	30.90	7.5	4.0	13.5	33.3			0.43									
SA205-14G	7/8	25	2.0472	0.5906	0.8425	1.2165	0.2953	0.1693	0.5315	1.5000	3150	1770	0.46									
205-15G	15/16													52	15	21.40	30.90	7.5	4.3	13.5	38.1	
205G	1													52	15	21.40	30.90	7.5	4.3	13.5	38.1	
205-16G	1													52	15	21.40	30.90	7.5	4.3	13.5	38.1	
SA206-18G	1-1/8	30	2.4409	0.6299	0.9370	1.4055	0.3543	0.1969	0.6260	1.7520	4400	2500	0.77									
206G	30													62	16	23.80	35.70	9.0	5.0	15.9	44.5	
206-19G	1-3/16													62	16	23.80	35.70	9.0	5.0	15.9	44.5	
206-20G	1-1/4													62	16	23.80	35.70	9.0	5.0	15.9	44.5	
SA207-20G	1-1/4	35	2.8346	0.6693	1.0000	1.5315	0.3740	0.2244	0.6890	2.1890	5800	3400	1.23									
207-21G	1-5/16													72	17	25.40	38.90	9.5	5.7	17.5	55.6	
207-22G	1-3/8													72	17	25.40	38.90	9.5	5.7	17.5	55.6	
207G	35													72	17	25.40	38.90	9.5	5.7	17.5	55.6	
207-23G	1-7/16													72	17	25.40	38.90	9.5	5.7	17.5	55.6	
SA208-24G	1-1/2	40	3.1496	0.7087	1.1890	1.7205	0.4331	0.2441	0.7205	2.3740	6660	4100	1.50									
208-25G	1-9/16													80	18	30.20	43.70	11.0	6.2	18.3	60.3	
208G	40													80	18	30.20	43.70	11.0	6.2	18.3	60.3	
SA209-26G	1-5/8	45	3.3465	0.7480	1.1890	1.7205	0.4331	0.2559	0.7205	2.5000	7160	4700	1.68									
209-27G	1-11/16													85	19	30.20	43.70	11.0	6.5	18.3	63.5	
209-28G	1-3/4													85	19	30.20	43.70	11.0	6.5	18.3	63.5	
209G	45													85	19	30.20	43.70	11.0	6.5	18.3	63.5	
SA210-30G	1-7/8	50	3.5433	0.7874	1.1890	1.7205	0.4331	0.2559	0.7205	2.7520	7900	5200	1.83									
210-31G	1-15/16													90	20	30.20	43.70	11.0	6.5	18.3	69.9	
210G	50													90	20	30.20	43.70	11.0	6.5	18.3	69.9	
SA211-32G	2	55	3.9370	0.9449	1.2756	1.9055	0.4724	0.2835	0.8150	3.0000	9800	6600	2.57									
211-34G	2-1/8													100	24	32.50	48.40	12.0	7.2	20.7	76.2	
211G	55													100	24	32.50	48.40	12.0	7.2	20.7	76.2	
211-35G	2-3/16													100	24	32.50	48.40	12.0	7.2	20.7	76.2	
SA212-36G	2-1/4	60	4.3307	0.9449	1.3150	1.9409	0.4724	0.3150	0.8780	3.3150	10700	7400	2.86									
212G	2-1/4													110	24	33.40	49.30	12.0	8.0	22.3	84.2	
212-38G	2-3/8													110	24	33.40	49.30	12.0	8.0	22.3	84.2	
212-39G	2-7/16													110	24	33.40	49.30	12.0	8.0	22.3	84.2	

\* Full cover metal shroud seal standard. Full contact rubber seal (2RS suffix) optional. Also available in free spinning design and/or with black oxide finish. Non-relubricatable units also available (remove G suffix). Contact factory.

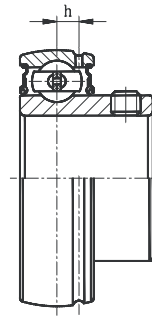


# BALL BEARING INSERTS

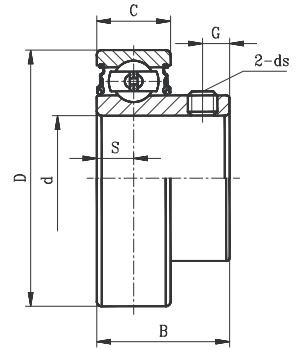
SB LIGHT DUTY SET SCREW LOCKING TYPE  
CSB LIGHT DUTY CYLINDRICAL O.D. TYPE



SB



SB  
(WITH G SUFFIX)



CSB

- Narrow inner ring bearing
- Lubrication groove with hole on set screw side and additional oil hole on opposite side (G suffix).

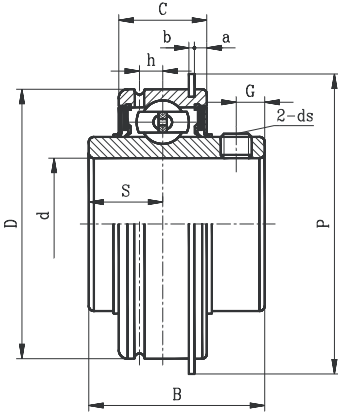
Bearing No.	Shaft Dia. d		Dimension (in) (mm)							Basic load rating (lbs)		Weight (lb)						
	(in.)	(mm)	D	B	C	S	h	G	ds	Dynamic	Static							
SB201G		12																
201-8G	1/2	15	1.5748	0.8661	0.4724	0.2362	0.1417	0.1575	10#-32UNF M5X0.8	2150	1070	0.22						
202G	5/8	17	40	22	12	6	3.6	4										
203-10G																		
203G																		
203-11G	11/16																	
SB204-12G	3/4	20	1.8504	0.9843	0.5512	0.2756	0.1575	0.1969	1/4-28UNF M6X1	2900	1500	0.31						
204G			47	25	14	7	4	5										
SB205-14G	7/8																	
205-15G	15/16	25	2.0472	1.0630	0.5906	0.2953	0.1693	0.2165	1/4-28UNF M6X1	3150	1770	0.37						
205G			52	27	15	7.5	4.3	5.5										
205-16G	1																	
SB206-18G	1-1/8																	
206G		30	2.4409	1.1811	0.6299	0.3150	0.1969	0.2362	1/4-28UNF M6X1	4400	2500	0.57						
206-19G	1-3/16		62	30	16	8	5	6										
206-20G	1-1/4																	
SB207-20G	1-1/4																	
207-21G	1-5/16		2.8346	1.2598	0.6693	0.3346	0.2244	0.2559	1/4-28UNF M6X1	5800	3400	0.86						
207-22G	1-3/8												72	32	17	8.5	5.7	6.5
207G		35																
207-23G	1-7/16																	
SB208-24G	1-1/2																	
208-25G	1-9/16	40	3.1496	1.3386	0.7087	0.3543	0.2441	0.2756	5/16-24UNF M8X1	6660	4100	1.19						
208G			80	34	18	9	6.2	7										
SB209-26G	1-5/8																	
209-27G	1-11/16		3.3465	1.6220	0.7480	0.4016	0.2559	0.3228	5/16-24UNF M8X1	7160	4700	1.5						
209-28G	1-3/4		85	41.2	19	10.2	6.5	8.2										
209G		45																
SB210-30G	1-7/8																	
210-31G	1-15/16		3.5433	1.7126	0.7874	0.4291	0.2559	0.3622	5/16-24UNF M8X1	7900	5200	1.76						
210G		50	90	43.5	20	10.9	6.5	9.2										
SB211-32G	2																	
211-34G	2-1/8		3.9370	1.7835	0.9055	0.4646	0.2835	0.3858	5/16-24UNF M8X1	9800	6600	2.2						
211G		55	100	45.3	23	11.8	7.2	9.8										
211-35G	2-3/16																	
SB212-36G	2-1/4																	
212G		60	4.3307	2.1142	0.9449	0.5866	0.3150	0.3858	3/8-24UNF M10X1.25	10770	7400	2.86						
212-39G	2-7/16		110	53.7	24	14.9	8	9.8										

\* Full cover metal shroud seal standard. Full contact rubber seal (2RS suffix) optional. Also available in free spinning design and/or with black oxide finish. Non-lubricatable units also available (remove G suffix). Contact factory.



# BALL BEARING INSERTS

SER STANDARD DUTY CYLINDRICAL O.D. SET SCREW TYPE WITH SNAP RING AND GROOVE



- Wide inner ring bearing
- Snap ring on set screw side
- Lubrication groove with hole on opposite side
- Dual seal

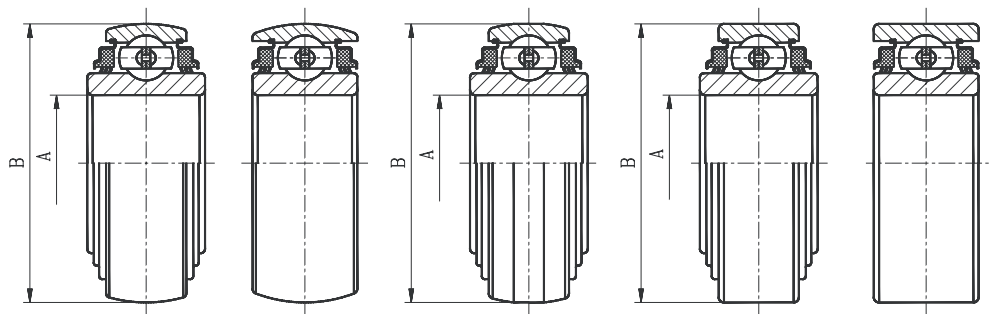
Bearing No.	Shaft Dia. d		Dimension (in) (mm)									Basic load ratings (lbs)		Weight (lb)	
	(in.)	(mm)	D	B	C	S	a	b	p	G	h	ds	Dynamic		Static
SER201		12													
201-8	1/2	15													
202		15													
202-10	5/8	17	1.8504	1.2205	0.6260	0.4055	0.0937	0.0421	2.0748	0.1850	0.1732	1/4-28UNF	2880	1500	0.53
203		17	47	31.0	15.9	10.3	2.38	1.07	52.7	4.7	4.4	M6X1			
203-11	11/16	20													
204-12	3/4	20													
204		20													
SER205-14	7/8	25													
205-15	15/16	25	2.0472	1.3740	0.7480	0.5157	0.0937	0.0421	2.2795	0.2165	0.1772	1/4-28UNF	3150	1800	0.59
205		25	52	34.9	19.0	13.1	2.38	1.07	57.9	5.5	4.5	M6X1			
205-16	1	25													
SER206-18	1-1/8	30													
206		30	2.4409	1.5000	0.8740	0.6260	0.1252	0.0650	2.6654	0.2165	0.2087	1/4-28UNF	4390	2500	0.86
206-19	1-3/16	30	62	38.1	22.2	15.9	3.18	1.65	67.7	5.5	5.3	M6X1			
206-20	1-1/4	30													
SER207-20	1-1/4	35													
207-21	1-5/16	35	2.8346	1.6890	0.9370	0.6890	0.1252	0.0650	3.0945	0.2559	0.2283	5/16-24UNF	5780	3400	1.24
207-22	1-3/8	35	72	42.9	23.8	17.5	3.18	1.65	78.6	6.5	5.8	M8X1			
207		35													
207-23	1-7/16	35													
SER208-24	1-1/2	40													
208-25	1-9/16	40	3.1496	1.9370	1.0945	0.7480	0.1252	0.0650	3.4094	0.3150	0.2480	5/16-24UNF	6660	4100	1.78
208		40	80	49.2	27.8	19.0	3.18	1.65	86.6	8.0	6.3	M8X1			
SER209-26	1-5/8	45													
209-27	1-11/16	45	3.3465	1.9370	1.0945	0.7480	0.1252	0.0650	3.6063	0.3150	0.2953	5/16-24UNF	7170	4700	1.98
209-28	1-3/4	45	85	49.2	27.8	19.0	3.18	1.65	91.6	8.0	7.5	M8X1			
209		45													
SER210-30	1-7/8	50													
210-31	1-15/16	50	3.5433	2.0315	1.1260	0.7480	0.1252	0.0949	3.7992	0.3543	0.2677	3/8-24UNF	7900	5200	2.12
210		50	90	51.6	28.6	19.0	3.18	2.41	96.5	9.0	6.8	M10X1.25			
SER211-32	2	55													
211-34	2-1/8	55	3.9370	2.1890	1.1890	0.8740	0.1252	0.0949	4.1929	0.3543	0.2992	3/8-24UNF	9800	6600	3.10
211		55	100	55.6	30.2	22.2	3.18	2.41	106.5	9.0	7.6	M10X1.25			
211-35	2-3/16	55													
SER212-36	2-1/4	60													
212		60	4.3307	2.5630	1.2520	1.0000	0.1252	0.949	4.5906	0.4134	0.3307	3/8-24UNF	10700	7400	4.29
212-38	2-3/8	60	110	65.1	31.8	25.4	3.18	2.41	116.6	10.5	8.4	M10X1.25			
212-39	2-7/16	60													
SER214-40	2-1/2	70													
214-43	2-11/16	70	4.9213	2.9370	1.3780	1.1890	0.1559	0.1091	5.3031	0.4724	0.3543	7/16-20UNF	13700	10100	5.54
214		70	125	74.6	35.0	30.2	3.96	2.77	134.7	12.0	9.0	M12X1.25			
SER215-46	2-7/8	75													
215-47	2-15/16	75	5.1181	3.0630	1.5000	1.3110	0.1559	0.1091	5.5000	0.4724	0.3740	7/16-20UNF	14900	11100	6.36
215		75	130	77.8	38.1	33.3	3.96	2.77	139.7	12.0	9.5	M12X1.25			

\* Also available in free spinning design and/or with black oxide finish. Contact factory.



# FARM IMPLEMENT BALL BEARINGS

TRI-PLY SEAL SERIES  
NON-RELUBRICATABLE TYPE



TYPE 1      TYPE 2      TYPE 3      TYPE 4      TYPE 5

## ROUND BORE

Bearing No.	Type	Bearing Bore Size		Outside Diameter		Ring Width			
		A		B		Inner Ring		Outer Ring	
		(in.)	(mm)	(in.)	(mm)	(in.)	(mm)	(in.)	(mm)
205PPB7	1	0.9375	23.813	2.0472	52.00	1.3748	34.92	0.591	15.00
W208PPB7	1	1.1880	30.175	3.1496	80.00	1.1890	30.20	0.709	18.00
W208PP10	4	1.5005	38.113	3.1496	80.00	1.6910	42.96	0.827	21.00
W208PPB23	1	1.5005	38.113	3.1496	80.00	1.6910	42.96	1.189	30.20
W209PPB2	2	1.7717	45.000	3.3460	85.00	1.1890	30.20	1.189	30.20
W209PPB4	2	1.5350	39.000	3.3460	85.00	1.1890	30.20	1.189	30.20
W210PP2	5	1.9380	49.225	3.5433	90.00	1.1890	30.20	1.189	30.20
W210PPB2	2	1.9380	49.225	3.5433	90.00	1.1890	30.20	1.189	30.20
W211PP2	5	2.1880	55.575	3.9370	100.00	1.3130	33.34	1.313	33.34
W211PPB2	2	2.1880	55.575	3.9370	100.00	1.3130	33.34	1.313	33.34

## SQUARE BORE

Bearing No.	Type	Bearing Bore Size		Outside Diameter		Ring Width			
		A		B		Inner Ring		Outer Ring	
		(in.)	(mm)	(in.)	(mm)	(in.)	(mm)	(in.)	(mm)
W208PPB13	1	7/8	23.117	3.1496	80.00	1.437	36.50	0.709	18.00
W208PPB6	1	1	26.162	3.1496	80.00	1.437	36.50	0.709	18.00
W208PP5	4	1-1/8	29.972	3.1496	80.00	1.437	36.50	0.709	18.00
W208PPB5	1	1-1/8	29.972	3.1496	80.00	1.437	36.50	0.709	18.00
W208PP8	4	1-1/8	29.972	3.1496	80.00	1.437	36.50	1.189	30.20
W208PPB8	1	1-1/8	29.972	3.1496	80.00	1.437	36.50	1.189	30.20
W208PPB11	3	7/8	23.117	3.3760	85.75	1.437	36.50	1.189	30.20
W208PPB12	3	1-1/8	29.972	3.3760	85.75	1.437	36.50	1.189	30.20
W209PPB5	1	1-1/4	32.766	3.3460	85.00	1.437	36.50	1.189	30.20
W210PP4	5	1-1/8	29.972	3.5433	90.00	1.189	30.20	1.189	30.20
W210PPB4	2	1-1/8	29.972	3.5433	90.00	1.189	30.20	1.189	30.20
W211PP3	5	1-1/2	38.890	3.9370	100.00	1.313	33.34	1.313	33.34
W211PPB3	2	1-1/2	38.890	3.9370	100.00	1.313	33.34	1.313	33.34
W211PP5	4	1-1/2	38.890	4.0000	101.60	1.750	44.45	1.438	36.52
W211PPB6	3	1-1/2	38.890	4.0772	103.56	1.750	44.45	1.438	36.52

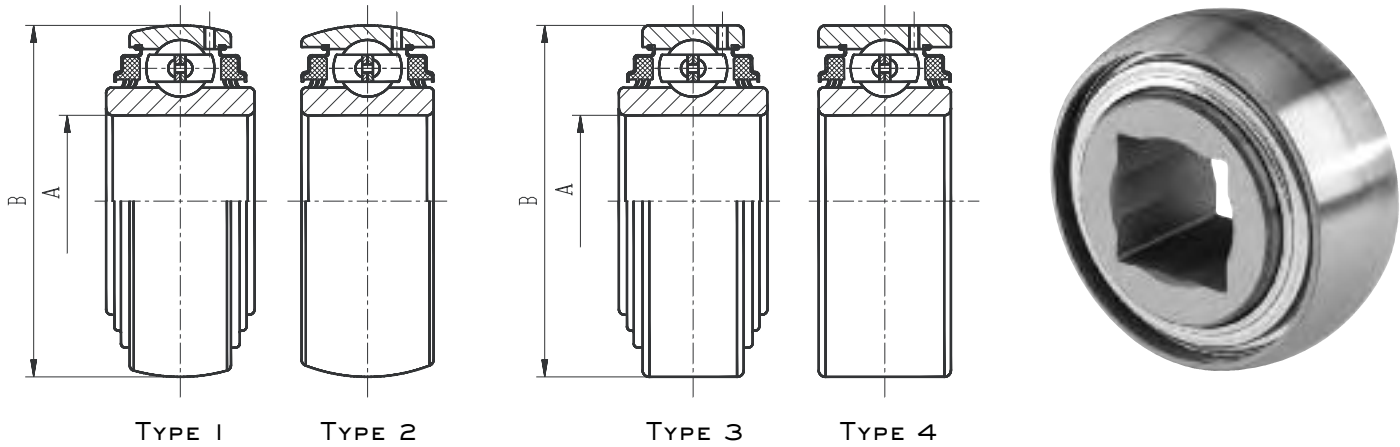
AGRICULTURAL





# FARM IMPLEMENT BALL BEARINGS

TRI-PLY SEAL SERIES  
RELUBRICATABLE TYPE



## ROUND BORE

Bearing No.	Type	Bearing Bore Size		Outside Diameter		Ring Width			
		A		B		Inner Ring		Outer Ring	
		(in.)	(mm)	(in.)	(mm)	(in.)	(mm)	(in.)	(mm)
GW209PPB4	2	1.5355	39.000	3.3465	85	1.189	30.20	1.189	30.2
GW209PPB2	2	1.7717	45.000	3.3465	85	1.189	30.20	1.189	30.20
GW209PPB11	1	1.7810	45.240	3.3465	85	1.437	36.50	0.866	22.00
GW210PPB2	2	1.9380	49.225	3.5433	90	1.189	30.20	1.189	30.20
GW211PPB2	2	2.1880	55.575	3.9370	100	1.313	33.34	1.313	33.34

## SQUARE BORE

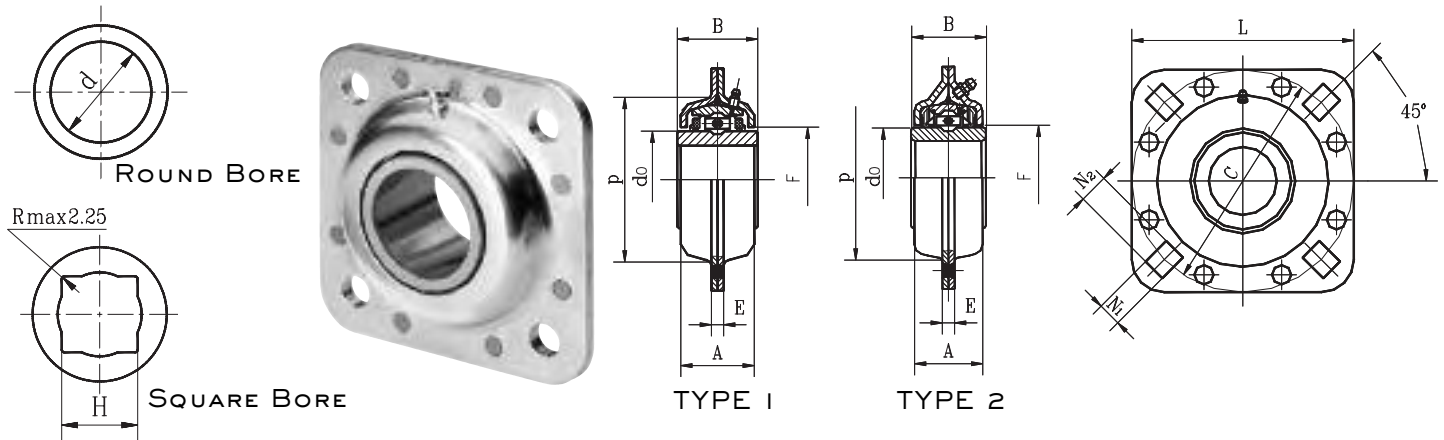
Bearing No.	Type	Bearing Bore Size		Outside Diameter		Ring Width			
		A		B		Inner Ring		Outer Ring	
		(in.)	(mm)	(in.)	(mm)	(in.)	(mm)	(in.)	(mm)
GW208PPB5	1	1-1/8	29.972	3.1496	80.000	1.437	36.50	0.827	21.00
GW208PPB8	1	1-1/8	29.972	3.1496	80.000	1.437	36.50	1.189	30.20
GW208PPB17	1	1-1/8	29.972	3.3755	85.738	1.437	36.50	1.189	30.20
GW209PPB5	1	1-1/4	32.766	3.3465	85.000	1.437	36.50	1.189	30.20
GW209PPB8	1	1-1/4	32.766	3.3465	85.000	1.437	36.50	0.866	22.00
GW210PP4	4	1-1/8	29.972	3.5433	90.000	1.189	30.20	1.189	30.20
GW210PPB4	2	1-1/8	29.972	3.5433	90.000	1.189	30.20	1.189	30.20
GW211PP3	4	1-1/2	38.890	3.9370	100.00	1.313	33.34	1.313	33.34
GW211PPB3	2	1-1/2	38.890	3.9370	100.00	1.313	33.34	1.313	33.34
GW211PP17	3	1-1/2	38.890	3.9370	100.00	1.750	44.45	1.313	33.34



www.bl-bearings.com

# DISK HARROW BEARINGS

209 TRI-PLY SERIES  
211 TRI-PLY SERIES



Unit No.	TYPE	Bearing Bore Size (in) (mm)		Dimensions (in) (mm)										Basic Dynamic Load Rating (LB)	Basic Static Load Rating (LB)
		H (SQ)	d (RD)	L	P	B	A	F	do	E	C	N(N1XN2)			
ST491A	1	--	1-25/32 45	5 127	3-7/8 98	1-11/16 42.8	1-21/32 42	2-3/8 60	2-17/64 57.547	9/32 7	5 127	17/32 13.5	7160	3934	
DHU45R-209	1	--	1-17/32 38.86				1-21/32 42					17/32 X 43/64 13.5 X 16.7			
ST491B	1	--	1-17/32 38.86				1-21/32 42					17/32 X 43/64 13.5 X 16.7			
ST209-1 1/8	1	1-3/16 29.927	--				1-21/32 42					17/32 X 43/64 13.5 X 16.7			
ST209-1 1/8-I	2	--	--				1-15/32 37					17/32 X 43/64 13.5 X 16.7			

Unit No.	TYPE	Bearing Bore Size (in) (mm)		Dimensions (in) (mm)										Basic Dynamic Load Rating (LB)	Basic Static Load Rating (LB)
		H (SQ)	d (RD)	L	P	B	A	F	do	E	C	N(N1XN2)			
DHU55R-211	1	--	2-11/64 55	5-1/2 139.7	4-15/32 113.5	2 51	1-53/64 46.4	2-7/8 73	2-23/32 69	23/64 9	5-1/2 139.7	17/32 X 19/32 13.5 X 15.1	9790	5620	
DHU55R-211-1	2	--	1-15/32 37				2-51/64 71	5/16 8				17/32 X 19/32 13.5 X 15.1			
ST211-1 3/4	1	--	1-25/32 45.212				2-7/8 73	23/64 9				17/32 13.5			
ST211-2 3/16	1	--	2-13/64 55.575			1-21/32 42	2-51/64 71	5/16 8				17/32 X 19/32 13.5 X 15.1			
ST211-2 3/16-I	2	--	--			2-51/64 71	5/16 8	17/32 X 19/32 13.5 X 15.1							
DHU40S-211	1	1-39/64 40.878	--			2 51	1-15/32 37	2-7/8 73				23/64 9			17/32 X 19/32 13.5 X 15.1
FD211-1 1/2	1	1-17/32 38.89	--			2 51	1-15/32 37	2-51/64 71				5/16 8			17/32 X 19/32 13.5 X 15.1



## BEARING FEATURES

BL Bearings offers several solutions for applications that require a clean operating environment and frequent wash downs, such as food processing, packaging, pharmaceutical production and handling. We also offer solutions for applications subject to corrosive elements such as those found in photo and film processing, dyeing and printing, textile finishing, fertilizer manufacturing and chemical processing.

### SSUC Stainless Steel Inserts

The most common solution for hostile wash down applications is BL's SSUC series all-stainless insert. Compared to competitive wash down units using coated rings with stainless components, they feature 100% stainless steel construction for maximum corrosion resistance. Materials are composed of:

Rings and balls	440 stainless steel
Retainer	302 stainless steel
Slinger and seal frame	302 stainless steel
Set screws	302 stainless steel

SSUC inserts come standard with dual seals and NSF H1 registered food grade grease (Nevastane HT/AW). Other lubricants can be supplied upon request to meet specific application requirements.

### SSER Stainless Steel Inserts

SSER units are designed for corrosive applications requiring cylindrical OD inserts. They have the same material composition as SSUC inserts.

### Black Oxide Treated Inserts

UC and ER inserts can be supplied with a black oxide treatment, providing an economical solution for mildly corrosive applications.

### Stainless Steel Housings

The most effective solution for highly corrosive applications are BL stainless steel housings constructed of high quality 304 stainless steel. To prevent and reduce surface residual contamination, they feature smooth polished surfaces and solid bases. Stainless steel housings can be supplied configured to accept end caps.

### Thermoplastic Housings

Constructed from glass reinforced PBT, BL thermoplastic housings provide proven protection from corrosive elements and offer favorable mechanical, thermal and electrical properties. White PBT housings are standard; black or green PBT can be supplied upon request. Housings include stainless steel bolt hole grommets and stainless steel grease nipples. Most styles accept end caps.

### Nickel Plated Housings

BL nickel plated housings are economical solutions for mildly corrosive environments. These housings are usually supplied with black oxide inserts. Stainless steel inserts can also be utilized.

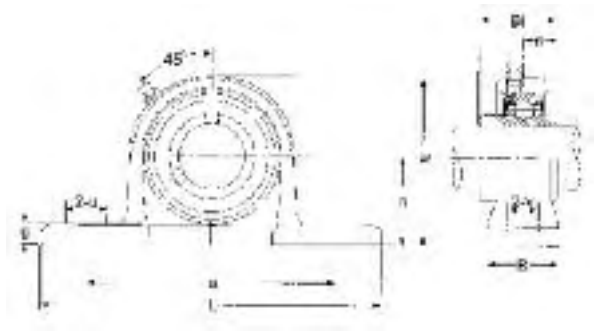
### End Caps

Open or closed end caps can be supplied for additional protection from contamination.



# STAINLESS STEEL UNITS

## UCPSS PILLOW BLOCKS



**UCPSS**

- Stainless steel housing – solid base
- Stainless steel wide inner ring bearing

## UCPSS PILLOW BLOCKS

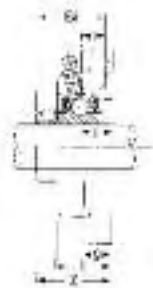
Unit No.	Shaft Dia. d (in.)	Dimension (in) (mm)										Bolt Size (in)	Bearing No.	Housing No.	Weight (lb)
		h	L	e	B	v	u	g	w	Bi	n				
UCPSS204-12SS	3/4	1-5/16 33.3	5 127	3-3/4 95	1-1/2 38	17/32 13	3/4 19	9/16 14	2-17/32 64	1-1/4 31	1/2 12.7	3/8	SSUC204-12	SP204	1.256
UCPSS205-16SS	1	1-7/16 36.5	5-1/2 140	4-1/8 105	1-1/2 38	17/32 13	3/4 19	19/32 15	2-25/32 70	1-11/32 34.1	9/16 14.3	3/8	SSUC205-16	SP205	1.631
UCPSS206-18SS	1-1/8	1-11/16	6-1/2	4-25/32	1-29/32	11/16	27/32	21/32	3-1/4	1-1/2	5/8	9/16	SSUC206-18	SP206	2.403
UCPSS206-19SS	1-3/16	42.9	165	121	48	17	21	16	82	38.1	15.9				
UCPSS206-20SS	1-1/4														
UCPSS207-20SS	1-1/4	1-29/32	6-19/32	5	1-29/32	11/16	27/32	11/16	3-5/8	1-11/16	11/16	9/16	SSUC207-20	SP207	3.174
UCPSS207-22SS	1-3/8	47.6	167	127	48	17	21	17	92	42.9	17.5				
UCPSS207-23SS	1-7/16														
UCPSS208-24SS	1-1/2	1-15/16 49.2	7-1/4 184	5-13/32 137	2-5/32 54	11/16 17	27/32 21	23/32 18	3-7/8 98	1-15/16 49.2	3/4 19	9/16	SSUC208-24	SP208	3.791
UCPSS212-39SS	2-7/16	2-3/4 69.8	9-1/2 241	4-1/4 184	2-25/32 70	13/16 20	1 25	1 25	5-7/16 138	2-9/16 65.1	1 25.4	5/8	SSUC212-39	SP212	8.377

\* Lubricated with food grade grease.

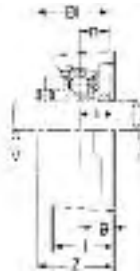
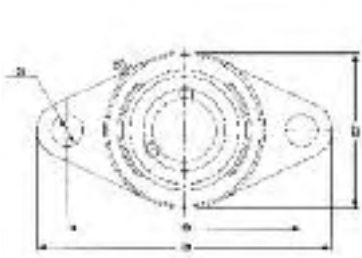


# STAINLESS STEEL UNITS

UCFSS FOUR BOLT FLANGE UNITS  
UCFLSS TWO BOLT FLANGE UNITS



UCFSS



UCFLSS



- Stainless steel housing – solid base
- Stainless steel wide inner ring bearing

## UCFSS FOUR BOLT FLANGE UNITS

Unit No.	Shaft Dia. d (in.)	Dimension (in) (mm)										Bolt Size (in)	Bearing No.	Housing No.	Weight (lb)
		a	e	l	g	l	s	z	Bi	n					
UCFSS204-12SS	3/4	3-13/32 86	2-17/32 64	19/32 15	1/2 12	1 25.5	1/2 12	1-5/16 33.3	2-17/32 64	1/2 12.7	3/8	SSUC204-12	SF204	1.433	
UCFSS205-16SS	1	3-3/4 95	2-25/32 70	21/32 16	17/32 13	1-3/32 27	1/2 12	1-13/32 35.7	2-25/32 70	9/16 14.3	3/8	SSUC205-16	SF205	2.006	
UCFSS206-18SS	1-1/8	4-9/32 108	3-9/32 83	21/32 18	9/16 14	1-1/4 31	1/2 12	1-19/32 40.2	3-1/4 82	5/8 15.9	9/16	SSUC206-18 SSUC206-19 SSUC206-20	SF206	2.667	
UCFSS206-19SS															
UCFSS206-20SS															
UCFSS207-20SS	1-1/4	4-5/8 117	3-5/8 92	3/4 19	5/8 15.5	1-11/32 34	35/64 14	1-3/4 44.4	3-5/8 92	11/16 17.5	9/16	SSUC207-20 SSUC207-22 SSUC207-23	SF207	3.549	
UCFSS207-22SS															
UCFSS207-23SS															
UCFSS208-24SS	1-1/2	5-1/8 130	4-1/32 103	27/32 21	19/32 15	1-7/16 36	5/8 16	2-1/32 51.2	3-7/8 98	3/4 19	9/16	SSUC208-24	SF208	4.784	

## UCFLSS TWO BOLT FLANGE UNITS

Unit No.	Shaft Dia. d (in.)	Dimension (in) (mm)										Bolt Size (in)	Bearing No.	Housing No.	Weight (lb)
		a	e	l	g	l	s	b	z	Bi	n				
UCFLSS204-12SS	3/4	4-15/32 113	3-9/16 90	19/32 15	13/32 10	1 25.5	1/2 12	2-3/8 60	1-5/16 33.3	1-1/4 31	1/2 12.7	3/8	SSUC204-12	SFL204	0.881
UCFLSS205-16SS	1	5-1/8 130	3-29/32 99	21/32 16	13/32 10	1-5/64 27	1/2 12	2-11/16 68	1-13/32 35.7	1-11/32 34.1	9/16 14.3	3/8	SSUC205-16	SFL205	1.256
UCFLSS206-18SS	1-1/8	5-27/32 148	4-5/8 117	23/32 18	7/16 11	1-1/4 31	1/2 12	3-5/32 80	1-19/32 40.2	1-1/2 38.1	5/8 15.9	9/16	SSUC206-18 SSUC206-19 SSUC206-20	SFL206	2.028
UCFLSS206-19SS															
UCFLSS206-20SS															
UCFLSS207-20SS	1-1/4	6-11/32 161	5-1/8 130	3/4 19	1/2 12	1-11/32 34	35/64 14	3-9/16 90	1-3/4 44.4	1-11/16 42.9	11/16 17.5	9/16	SSUC207-20 SSUC207-22 SSUC207-23	SFL207	2.689
UCFLSS207-22SS															
UCFLSS207-23SS															
UCFLSS208-24SS	1-1/2	6-29/32 175	5-11/16 144	27/32 21	19/32 15	1-7/16 36	35/64 14	3-15/16 100	2-1/32 51.2	1-15/16 49.2	3/4 19	9/16	SSUC208-24	SFL208	3.417

\* Lubricated with food grade grease.

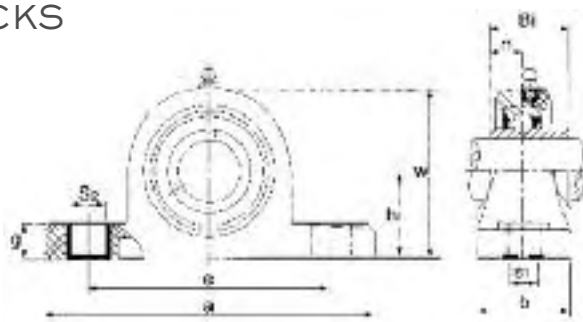




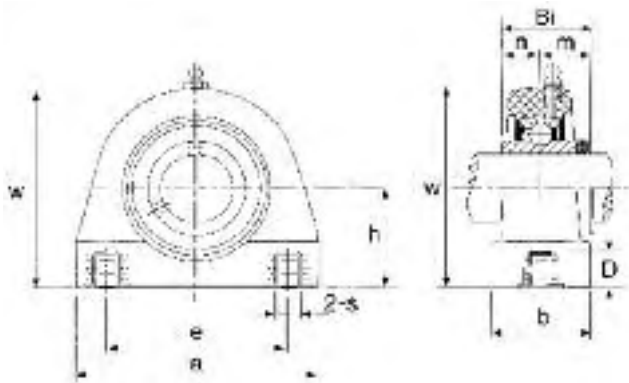
# THERMOPLASTIC UNITS

## UCPPL PILLOW BLOCKS

## UCPAPL A TAPPED BASE PILLOW BLOCKS



UCPPL



UCPAPL A

- Reinforced PBT housing – solid base
- Stainless steel wide inner ring bearing

### UCPPL PILLOW BLOCKS

Unit No.	Shaft Dia. d (in.)	Dimension (in) (mm)										Bolt Size (in)	Bearing No.	Housing No.	Weight (lb)
		h	a	e	b	S1	S2	g	w	Bi	n				
UCPPL204-12SS	3/4	1-5/16 33.3	5 127	3-3/4 95	1-1/2 38	7/16 11	9/16 14	9/16 14.2	2-19/32 65.5	1-7/16 31	1/2 12.7	3/8	SSUC204-12	TP-P204	0.638
UCPPL205-16SS	1	1-7/16 36.5	5-9/16 141	4-9/16 105	1-1/2 38	7/16 11	9/16 14	19/32 14.5	2-13/16 71	1-11/32 34.1	9/16 14.3	3/8	SSUC205-16	TP-P205	0.748
UCPPL206-18SS	1-1/8	1-11/16 42.9	6-13/32 163	4-11/16 119	1-13/16 46	9/16 14	23/32 18	23/32 17.8	3-5/16 84	1-1/2 38.1	5/8 15.9	1/2	SSUC206-18 SSUC206-19 SSUC206-20	TP-P206	1.188
UCPPL206-20SS	1-1/4	1-7/8 47.6	6-5/8 168	5 127	1-7/8 48	9/16 14	23/32 18	23/32 18	3-23/32 94.5	1-11/16 42.9	23/32 17.5	1/2	SSUC207-20 SSUC207-22 SSUC207-23	TP-P207	1.716
UCPPL207-20SS	1-1/4	1-7/8 47.6	6-5/8 168	5 127	1-7/8 48	9/16 14	23/32 18	23/32 18	3-23/32 94.5	1-11/16 42.9	23/32 17.5	1/2	SSUC207-20 SSUC207-22 SSUC207-23	TP-P207	1.716
UCPPL207-22SS	1-3/8	1-7/8 47.6	6-5/8 168	5 127	1-7/8 48	9/16 14	23/32 18	23/32 18	3-23/32 94.5	1-11/16 42.9	23/32 17.5	1/2	SSUC207-20 SSUC207-22 SSUC207-23	TP-P207	1.716
UCPPL207-23SS	1-7/16	1-7/8 47.6	6-5/8 168	5 127	1-7/8 48	9/16 14	23/32 18	23/32 18	3-23/32 94.5	1-11/16 42.9	23/32 17.5	1/2	SSUC207-20 SSUC207-22 SSUC207-23	TP-P207	1.716
UCPPL208-24SS	1-1/2	1-15/16 49.2	7-1/4 184	5-13/32 137	2-5/32 54	9/16 14	23/32 18	25/32 19.5	3-29/32 99	1-15/16 49.2	3/4 19	1/2	SSUC208-24	TP-P208	2.134
UCPPL210-31SS	1-15/16	2-1/4 57.2	8-1/8 206	6-9/32 159	2-3/8 60	2-3/8 17	13/16 20	29/32 23	4-1/2 114	2-1/32 51.6	3/4 19	5/8	SSUC210-31	TP-P210	3.02

\* Lubricated with food grade grease.

### UCPAPL A TAPPED BASE PILLOW BLOCKS – DOMESTIC DIMENSIONS

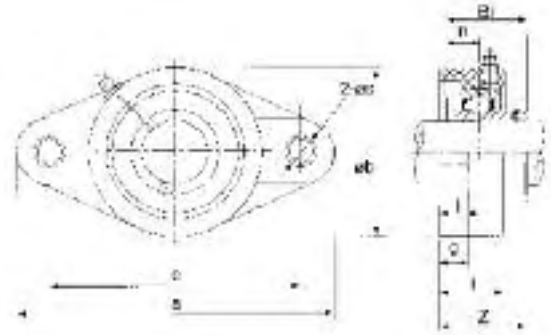
Unit No.	Shaft Dia.	Dimension (in) (mm)										Bearing No.	Housing No.	Weight (lb)
		h	a	e	b	Bolt Size S-UNC	w	D	Bi	n	m			
UCPAPL204-12ASS	3/4	1-5/16 33.3	2-7/8 73.0	2 50.8	1-1/2 38.1	3/8-16	2-19/32 65.9	7/16 11.1	1.22 31.00	0.500 12.70	0.720 18.30	SSUC204-12	TP-PA204A	0.60
UCPAPL205-16ASS	1	1-7/16 36.5	3 76.2	2 50.8	1-1/2 38.1	3/8-16	2-7/8 72.0	7/16 12.0	1.34 34.10	0.563 14.30	0.780 19.80	SSUC205-16	TP-PA205A	0.728
UCPAPL206-20ASS	1-1/4	1-11/16 42.9	4 101.6	3 76.2	1-1/2 38.1	7/16-14	4-3/8 111.1	11/16 17.5	1.50 38.10	0.626 15.90	0.874 22.20	SSUC206-20	TP-PA206A	1.24
UCPAPL207-20ASS	1-1/4	1-7/8 47.6	4-3/8 110.0	3-1/4 82.6	1-7/8 48.0	1/2-13	3-13/32 96.0	5/8 16.0	1.69 42.90	0.689 17.50	1.000 25.40	SSUC207-20	TP-PA207A	1.72
UCPAPL207-23ASS	1-7/16	1-7/8 47.60	4-3/8 110.0	3-1/4 82.6	1-7/8 48.0	1/2-13	3-13/32 96.0	5/8 16.0	1.69 42.90	0.689 17.50	1.000 25.40	SSUC207-23	TP-PA207A	1.72
UCPAPL208-24ASS	1-1/2	1-15/16 49.2	4-3/4 120.0	3-1/2 88.9	1-7/8 48.0	1/2-13	4 101.6	41/64 16.0	1.94 49.20	0.748 19.00	1.189 30.20	SSUC208-24	TP-PA208A	2.10

\* Lubricated with food grade grease.

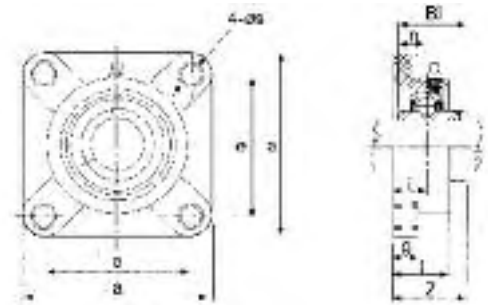


# THERMOPLASTIC UNITS

## UCFLPL TWO BOLT FLANGE UNITS · UCFPL FOUR BOLT FLANGE UNITS



UCFLPL



UCFPL

- Reinforced PBT housing – solid base
- Stainless steel wide inner ring bearing

### UCFLPL TWO BOLT FLANGE UNITS

Unit No.	Shaft Dia. d (in.)	Dimension (in) (mm)										Bolt Size (in)	Bearing No.	Housing No.	Weight (lb)
		a	e	b	g	l	s	z	l	Bi	n				
UCFLPL204-12SS	3/4	4-15/32 113	3-17/32 90	2-9/16 65	7/16 11.4	1-1/16 26.5	7/16 11	1-5/16 33.7	5/8 15.4	1-7/32 31	1/2 12.7	3/8	SSUC204-12	TP-FL204	0.528
UCFLPL205-16SS	1	5-3/16 131	3-29/32 99	2-3/4 69.5	17/32 13.5	1-5/32 29.1	7/16 11	1-7/16 36.7	11/16 17	1-11/32 34.1	9/16 14.3	3/8	SSUC205-16	TP-FL205	0.66
UCFLPL206-18SS UCFLPL206-19SS UCFLPL206-20SS	1-1/8 1-3/16 1-1/4	5-27/32 148	4-5/8 117	3-5/32 80	17/32 13.3	1-7/32 30.5	7/16 11	1-5/8 41.2	3/4 19	1-1/2 38.1	5/8 15.9	3/8	SSUC206-18 SSUC206-19 SSUC206-20	TP-FL206	0.99
UCFLPL207-20SS UCFLPL207-22SS UCFLPL207-23SS	1-1/4 1-3/8 1-7/16	6-15/32 164	5-1/8 130	3-9/16 90	5/8 16.1	1-9/32 32.8	17/32 13	1-23/32 43.4	23/32 18	1-11/16 42.9	11/16 17.5	1/2	SSUC207-20 SSUC207-22 SSUC207-23	TP-FL207	1.45
UCFLPL208-24SS	1-1/2	6-15/16 176	5-11/16 144	3-15/16 100	25/32 20	1-15/32 37.5	9/16 14	2-1/32 51.7	27/32 21.5	1-15/16 49.2	3/4 19	1/2	SSUC208-24	TP-FL208	1.51

\* Lubricated with food grade grease.

### UCFPL FOUR BOLT FLANGE UNITS

Unit No.	Shaft Dia. d (in.)	Dimension (in) (mm)									Bolt Size (in)	Bearing No.	Housing No.	Weight (lb)
		a	e	g	l	s	z	l	Bi	n				
UCFPL204-12SS	3/4	3-15/32 88	2-1/2 63.5	17/32 13.4	1-3/32 27.8	7/16 11	1-7/16 36.3	23/32 18	1-7/32 31	1/2 12.7	3/8	SSUC204-12	TP-F204	0.638
UCFPL205-16SS	1	3-3/4 95	2-25/32 70	9/16 14	1-3/32 28	7/16 11	1-7/16 36.7	11/16 17	1-11/32 34.1	9/16 14.3	3/8	SSUC205-16	TP-F205	0.748
UCFPL206-18SS UCFPL206-19SS UCFPL206-20SS	1-1/8 1-3/16 1-1/4	4-7/32 107	3-9/32 83	9/16 14.3	1-1/4 31.5	7/16 11	1-5/8 41.4	3/4 19.2	1-1/2 38.1	5/8 15.9	3/8	SSUC206-18 SSUC206-19 SSUC206-20	TP-F206	1.10
UCFPL207-20SS UCFPL207-22SS UCFPL207-23SS	1-1/4 1-3/8 1-7/16	4-21/32 118	3-5/8 92	19/32 15.5	1-3/8 34.8	17/32 13	1-27/32 46.9	27/32 21.5	1-11/16 42.9	11/16 17.5	1/2	SSUC207-20 SSUC207-22 SSUC207-23	TP-F207	1.62
UCFPL208-24SS	1-1/2	5-1/8 130	4-1/32 102	21/32 17	1-15/32 37.5	9/16 14	2-3/32 53.2	29/32 23	1-15/16 49.2	3/4 19	1/2	SSUC208-24	TP-F208	1.68

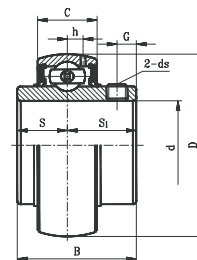
\* Lubricated with food grade grease. UCFB three-bolt flange bracket units also available.



# STAINLESS STEEL BALL BEARING INSERTS

## UC STANDARD DUTY SET SCREW TYPE

- Wide inner ring bearing
- All Stainless Steel
  - Balls & Rings: 440
  - Retainer & Slinger: 302
  - Set Screws: 304
- Lubrication groove with hole on set screw side
- Additional oil hole on opposite side
- Anti-rotation device
- Lubricated with NSF H1 Registered Food Grade Grease



Bearing No.	Shaft Dia. d		Dimension (in) (mm)							Basic load rating (lb)		Weight (lb)	
	(in.)	(mm)	D	B	C	S	S <sub>1</sub>	G	h	D <sub>s</sub>	Dynamic		Static
SSUC201-8	1/2												0.48
SSUC202-10	5/8		1.8540	1.2205	0.6299	0.5000	0.7205	0.1850	0.1732	1/4-28UNF	2827	1494	0.44
SSUC204-12	3/4		47	31.0	16	12.7	18.3	4.7	4.4	M6X1			0.40
SSUC204		20											0.37
SSUC205-14	7/8		2.0472	1.3386	0.6693	0.5630	0.7756	0.2165	0.1693	1/4-28UNF	3147	1771	0.51
SSUC205		25	52	34.0	17	14.3	19.7	5.5	4.3	M6X1			0.46
SSUC205-16	1												0.44
SSUC206-18	1-1/8		2.4409	1.5000	0.7480	0.6260	0.8740	0.2165	0.1969	1/4-28UNF	4383	2517	0.75
SSUC206		30	62	38.1	19	15.9	22.2	5.5	5.0	M6X1			0.71
SSUC206-19	1-3/16												0.68
SSUC206-20	1-1/4												0.66
SSUC207-20	1-1/4		2.8346	1.6890	0.7874	0.6890	1.0000	0.2559	0.2283	5/16-24UNF	5777	3416	1.16
SSUC207-22	1-3/8		72	42.9	20	17.5	25.4	6.5	5.8	M8X1			1.05
SSUC207		35											1.03
SSUC207-23	1-7/16												0.99
SSUC208-24	1-1/2		3.1496	1.9370	0.8268	0.748	1.1890	0.3150	0.2480	5/16-24UNF	6654	4091	1.49
SSUC208		40	80	49.2	21	19.0	30.2	8.0	6.3	M8X1			1.41
SSUC209-28	1-3/4		3.3465	1.9370	0.8661	0.7480	1.1890	0.3150	0.2677	5/16-24UNF	7159	4675	1.54
SSUC209		45	85	49.2	22	19.0	30.2	8.0	6.8	M8X1			1.50
SSUC210-31	1-15/16		3.5433	2.0315	0.9055	0.7480	1.2835	0.3543	0.2559	3/8-24UNF	7890	5215	1.81
SSUC210		50	90	51.6	23	19.0	32.6	9.0	6.5	M10X1.25			1.76
SSUC210-32	2												1.72
SSUC211-32	2		3.9370	2.1890	0.9843	0.8740	1.3150	0.3543	0.2835	3/8-24UNF	9790	6564	2.79
SSUC211		55	100	55.6	25	22.2	33.4	9.0	7.2	M10X1.25			2.46
SSUC211-35	2-3/16												2.42
SSUC212-36	2-1/4		4.3307	2.5630	1.0630	1.000	1.5630	0.4134	0.3228	3/8-24UNF	10745	7373	3.67
SSUC212		60	110	65.1	27	25.4	39.7	10.5	8.2	M10X1.25			3.36
SSUC212-39	2-7/16												3.19

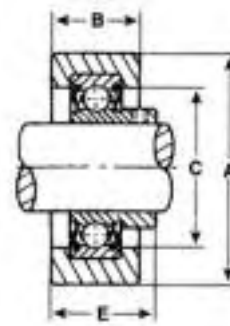
\* Stainless Steel Narrow Inner Ring Inserts (SB) and Eccentric Locking Collar Style Inserts (HC & SA) may also be available. Consult Factory.

WASHDOWN

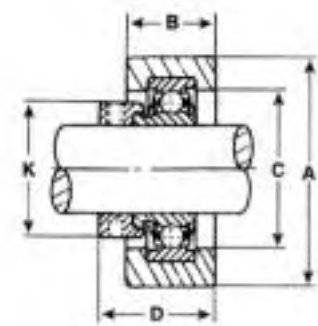


# RUBBER MOUNTED CARTRIDGE UNITS

RCSM ECCENTRIC LOCKING COLLAR TYPE  
RCSMS SET SCREW LOCKING TYPE



RCSM S



RCSM

- Conductive rubber interliner
- Used to dissipate static and reduce noise and vibration

## RCSM ECCENTRIC LOCKING COLLAR TYPE

Unit No.	Shaft Dia. d (in.)	Dimension (in)						Bearing No.	Weight (lb)
		A	B	C	D	E	K		
RCSM-8 RCSM-10	1/2 5/8	2-17/32	1	1-3/8	1-3/8	–	1-1/8	CSA201-8 CSA202-10	0.44
RCSM-12	3/4	2-17/32	1	1-9/16	1-27/64	–	1-5/16	CSA204-12	0.52
RCSM-14 RCSM-15 RCSM-16	7/8 15/16 1	2-17/32	1	1-25/32	1-27/64	–	1-1/2	CSA205-14 CSA205-15 CSA205-16	0.65
LRCSM-19	1-3/16	2-7/32	1	1-7/8	1-9/32	–	1-21/32	CSA006-19	0.62

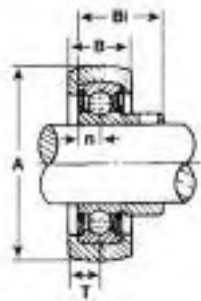
## RCSMS SET SCREW LOCKING TYPE

Unit No.	Shaft Dia. d (in.)	Dimension (in)						Bearing No.	Weight (lb)
		A	B	C	D	E	K		
RCSM-8S RCSM-10S	1/2 5/8	2-17/32	1	1-3/8	1-3/8	1-9/64	–	CSB201-8 CSB202-10	0.35
RCSM-12S	3/4	2-17/32	1	1-9/16	1-27/64	1-7/32	–	CSB204-12	0.48
RCSM-14S RCSM-15S RCSM-16S	7/8 15/16 1	2-17/32	1	1-25/32	1-27/64	1-9/32	–	CSB205-14 CSB205-15 CSB205-16	0.53

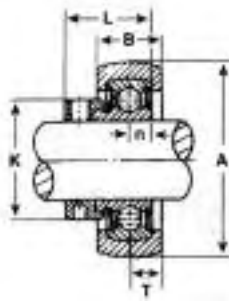
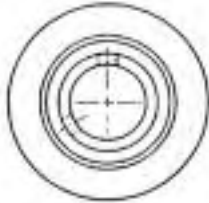


# RUBBER MOUNTED CARTRIDGE UNITS

## RABR ECCENTRIC LOCKING COLLAR TYPE RABR S SET SCREW LOCKING TYPE



**RABR S**



**RABR**



- Conductive rubber interliner
- Used to dissipate static and reduce noise and vibration

### RABR ECCENTRIC LOCKING COLLAR TYPE

Unit No.	Shaft Dia. d (in.)	Dimension (in) (mm)						Bearing No.	Weight (lb)
		A	B	L	n	T	K		
<b>RABR-8</b> <b>RABR-10</b>	1/2 5/8	1-7/8 47.6	11/16	1.1260	0.2362	11/32	1-1/8	SA201-8 SA202-10	0.35
<b>RABR-12</b>	3/4	2-1/16 52.4	11/16	1.2205	0.2756	11/32	1-1/4	SA204-12	0.37
<b>RABR-14</b> <b>RABR-15</b> <b>RABR-16</b>	7/8 15/16 1	2-29/64 62.4	25/32	1.2205	0.2953	13/32	1-1/2	SA205-14 SA205-15 SA205-16	0.49
<b>RABR-17</b> <b>RABR-18</b> <b>RABR-19</b> <b>RABR-20</b>	1-1/16 1-1/8 1-3/16 1-1/4	2-27/32 72.4	13/16	1.4055	0.3150	13/32	1-3/4	SA206-17 SA206-18 SA206-19 SA206-20	0.79

### RABR S SET SCREW LOCKING TYPE

Unit No.	Shaft Dia. d (in.)	Dimension (in) (mm)					Bearing No.	Weight (lb)
		A	B	L	n	T		
<b>RABR-8S</b> <b>RABR-10S</b>	1/2 5/8	1-7/8 47.6	11/16	0.8661	0.2362	11/32	SB201-8 SB202-10	0.24
<b>RABR-12S</b>	3/4	2-1/16 52.4	11/16	0.9843	0.2756	11/32	SB204-12	0.35
<b>RABR-14S</b> <b>RABR-15S</b> <b>RABR-16S</b>	7/8 15/16 1	2-29/64 62.4	25/32	1.0630	0.2953	13/32	SB205-14 SB205-15 SB205-16	0.42
<b>RABR-17S</b> <b>RABR-18S</b> <b>RABR-19S</b> <b>RABR-20S</b>	1-1/16 1-1/8 1-3/16 1-1/4	2-27/32 72.4	13/16	1.1811	0.3150	13/32	SB206-17 SB206-18 SB206-19 SB206-20	0.97



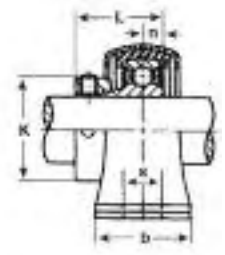
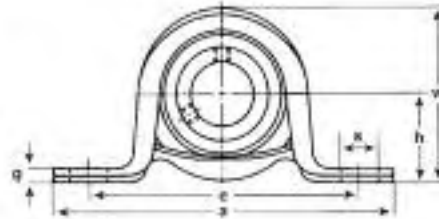


# RUBBER CUSHIONED PRESSED STEEL PILLOW BLOCKS

RPB ECCENTRIC LOCKING COLLAR TYPE  
RPB S SET SCREW LOCKING TYPE



**RPB S**



**RPB**

- Conductive rubber interliner
- Used to dissipate static and reduce noise and vibration

## RPB ECCENTRIC LOCKING COLLAR TYPE

Unit No.	Shaft Dia. d (in.)	Dimension (in)										Bolt Size (in)	Bearing No.	Housing No.	Weight (lb)
		h	a	e	b	s	g	w	L	n	K				
RPB-8 RPB-10	1/2 5/8	1	3-7/8	3	1-1/4	23/64	3/32	1-31/32	1.1260	0.256	1-1/8	5/16	RABR-8 RABR-10	PP204	0.46
RPB-12	3/4	1-1/8	4-1/4	3-3/8	1-1/4	7/16	1/8	2-7/32	1.2205	0.295	1-1/4	3/8	RABR-12	PP205	0.70
RPB-14 RPB-15 RPB-16	7/8 15/16 1	1-5/16	4-5/8	3-3/4	1-1/2	7/16	5/32	2-19/32	1.2205	0.295	1-1/2	3/8	RABR-14 RABR-15 RABR-16	PP206	0.97
RPB-18 RPB-19 RPB-20	1-1/8 1-3/16 1-1/4	1-9/16	5-1/16	4-3/16	1-5/8	7/16	3/16	3-1/16	1.4055	0.354	1-3/4	3/8	RABR-18 RABR-19 RABR-20	PP207	1.21

## RPB S SET SCREW LOCKING TYPE

Unit No.	Shaft Dia. d (in.)	Dimension (in)										Bolt Size (in)	Bearing No.	Housing No.	Weight (lb)
		h	a	e	b	s	g	w	Bi	n					
RPB-8S RPB-10S	1/2 5/8	1	3-7/8	3	1-1/4	23/64	3/32	1-31/32	0.8661	0.236	5/16	RABR-8S RABR-10S	PP204	0.37	
RPB-12S	3/4	1-1/8	4-1/4	3-3/8	1-1/4	7/16	1/8	2-7/32	0.9843	0.275	3/8	RABR-12S	PP205	0.58	
RPB-14S RPB-15S RPB-16S	7/8 15/16 1	1-5/16	4-5/8	3-3/4	1-1/2	7/16	5/32	2-19/32	1.0630	0.295	3/8	RABR-14S RABR-15S RABR-16S	PP206	0.77	
RPB-18S RPB-19S RPB-20S	1-1/8 1-3/16 1-1/4	1-9/16	5-1/16	4-3/16	1-5/8	7/16	3/16	3-1/16	1.1811	0.315	3/8	RABR-18S RABR-19S RABR-20S	PP207	1.06	



## RADIAL INTERNAL CLEARANCE

Radial internal clearance provides for thermal expansion and slight misalignment of the inner and outer rings. Internal clearances for ball bearing units are typically C3, although not

reflected in the part number. Proper internal clearance is important for optimal bearing life. Below are the most common clearance classifications for cylindrical bore bearings.

### RADIAL INTERNAL CLEARANCE FOR CYLINDRICAL BORE BEARINGS (DGBB & INSERT BEARINGS)

Bore diameter				CO				C3				C4			
Over		To		min.		max.		min.		max.		min.		max.	
mm	in	mm	in	.001mm	.0001in	.001mm	.0001in	.001mm	.0001in	.001mm	.0001in	.001mm	.0001in	.001mm	.0001in
10	.39	18	.71	3	1	18	7	10	4	25	10	18	7	33	13
18	.71	24	.95	5	2	20	8	12	5	28	11	20	8	36	14
24	.95	30	1.18	5	2	20	8	12	5	28	11	23	9	41	16
30	1.18	40	1.58	6	2	20	8	13	6	33	13	28	11	46	18
40	1.57	50	1.97	6	2	23	9	14	7	36	14	30	12	51	20
50	1.97	65	2.56	8	3	28	11	18	9	43	17	38	15	61	24
65	2.56	80	3.15	10	4	30	12	20	10	51	20	46	18	71	28
80	3.15	100	3.94	12	5	36	14	24	12	58	23	53	21	84	33
100	3.94	120	4.72	15	6	41	16	28	14	66	26	61	24	97	38

## TOLERANCES - ABEC 1

### DGBB - METRIC INNER RING BORE DIAMETER

MM			INCHES		
Over	To	Tolerance	Over	To	Tolerance
2.5	18	+000 - .008	.0984	.7087	+000 - .0003
18	30	+000 - .010	.7087	1.181	+000 - .0004
30	50	+000 - .012	1.181	1.968	+000 - .00045
50	80	+000 - .015	1.968	3.150	+000 - .0006
80	120	+000 - .020	3.150	4.724	+000 - .0008

### OUTER RING OD

MM			INCHES		
Over	To	Tolerance	Over	To	Tolerance
6	18	+000 - 0.008	0.236	0.709	+000 - 0.0003
18	30	+000 - 0.009	0.709	1.181	+000 - 0.0004
30	50	+000 - 0.01	1.181	1.969	+000 - 0.0004
50	80	+000 - 0.013	1.968	3.150	+000 - 0.0005
80	120	+000 - 0.015	3.150	4.724	+000 - 0.0006
120	150	+000 - 0.018	4.724	5.906	+000 - 0.0007
150	180	+000 - 0.025	5.906	7.087	+000 - 0.001
180	250	+000 - 0.03	7.087	9.843	+000 - 0.0012

### INSERT BEARINGS INNER RING BORE DIAMETER

MM			INCHES		
Over	To	Tolerance	Over	To	Tolerance
10	18	+0.015 - 000	0.394	0.709	+0.0006 - 000
18	30	+0.018 - 000	0.709	1.181	+0.0007 - 000
30	50	+0.021 - 000	1.181	1.969	+0.0008 - 000
50	80	+0.024 - 000	1.969	3.150	+0.0009 - 000
80	120	+0.028 - 000	3.150	4.724	+0.0011 - 000
120	180	+0.033 - 000	4.724	7.087	+0.0013 - 000

### OUTER RING OD

MM			INCHES		
Over	To	Tolerance	Over	To	Tolerance
6	18	+000 - .008	0.236	0.709	+000 - .0003
18	30	+000 - .009	0.709	1.181	+000 - .00035
30	50	+000 - .011	1.181	1.968	+000 - .00045
50	80	+000 - .013	1.968	3.150	+000 - .0005
80	120	+000 - .015	3.150	4.724	+000 - .0006
120	150	+000 - .018	4.724	5.905	+000 - .0007

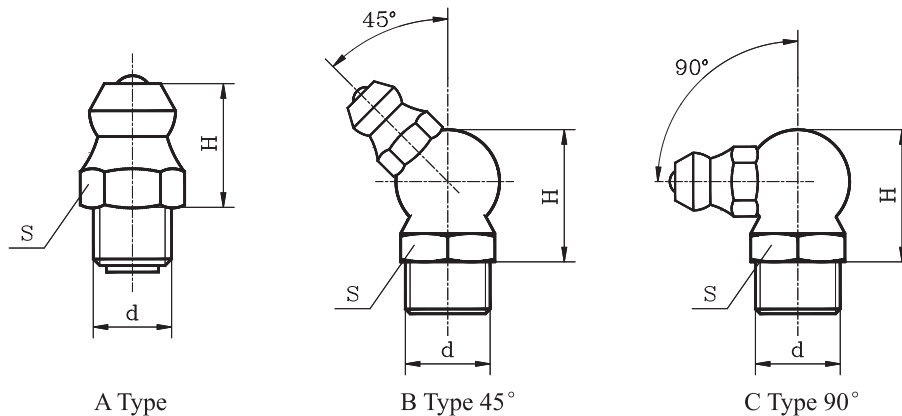


# APPENDIX

## GREASE FITTINGS ON MOUNTED UNITS

BL produces three types of grease nipples for use on mounted ball bearing units (see diagram below). A type, also known as straight, is standard on all relubricatable pillow blocks, flanges

and take ups. B type (45°) and C Type (90°) can be purchased separately, or ordered from the factory with the units.



### GREASE NIPPLE DIMENSIONS AND DESIGNATIONS OF APPLICABLE BEARING UNITS

Grease Fitting Type	d	H(mm)	S(mm)
A Type	M6X1	8.5	7
	M8X1	10.5	10
	1/4-28UNF	8.5	7
	1/8-27NPT	9.5	11
	G1/8	10.5	11
B Type 45°	M6X1	15	10
	M8X1	15	10
	1/4-28UNF	15	10
	1/8-27NPT	15	10
C Type 90°	M6X1	15	10
	M8X1	15	10
	1/4-28UNF	15	10
	1/8-27NPT	14.5	10



## RELUBRICATION OF MOUNTED UNITS

BL mounted bearing inserts are pre-lubricated at the factory and ready for operation. Proper relubrication of bearings can greatly increase bearing life. Optimal relubrication intervals are determined by application speed and operating environment. BL units should be relubricated with NLGI #2 grease that is

compatible with a lithium thickener and mineral oil base and can operate in a range of  $-4^{\circ}$  to  $250^{\circ}$  Fahrenheit. Below are general guidelines for relubrication intervals. However, application experience should dictate optimal intervals.

dn Value	Environmental Conditions	Operating Temperature (F)	Interval
Up to 40,000	Ordinary	5 to 150	6-12 months
Up to 40,000	Ordinary	150 to 210	2-6 months
40,000 to 70,000	Ordinary	5 to 150	2-6 months
40,000 to 70,000	Ordinary	150 to 210	Monthly
Up to 70,000	Dirty	5 to 150	Weekly to Monthly
Up to 70,000	Dirty	150 to 210	Daily to 2 Weeks
Up to 70,000	Very Dirty	Any	Daily to Weekly
Up to 70,000	Very Dirty	Any	Daily

d = inner ring diameter (mm)  
n = speed in RPM

### GREASE FILL AMOUNTS

Appropriate grease fill will assume maximum life. Care should be taken not to overfill bearing as this will cause overheating and unseating of the seals. Grease should be applied under low pressure during slow shaft rotation for optimal distribution. The table on the right shows suggested grease fill amounts. However, application experience should dictate.

Bore Size	Grease Amount
Up to 1"	1.5 – 2 grams
1 1/8 to 1 1/2"	2.5 – 3 grams
1 7/16 to 2 7/16"	4 – 5 grams
2 1/2 to 3 1/2"	7 – 8 grams

### GREASE TYPES

BL bearings are lubricated with standard greases that are suitable for a wide variety of applications, speeds and temperatures. Special greases are available for unique or special applications or

environments. Below is a short list of standard and special greases available in BL ball bearings and mounted units.

Grease Name	Dropping Point	Penetration 60X	Thickener	Temperature Range (F)	Features
Shell Alvania RL2	385	284	Lithium	-30 to 275	Low Noise, General Purpose & Electric Motors, Replaces Alvania 2/3
Mobil Polyrex EM	550	284	Polyurea	-40 to 350	Electric Motor Grease, High Temperature, Low Noise
Chevron SRI-2	470	280	Polyurea	-20 to 350	High Temperature, Excellent Rust Protection
Nevastane HT/AW2	200	280	Aluminum Complex	-20 to 350	H1-Food Grade Grease, Water Resistant and Corrosion Protection
Lithium Based #2	385	275	Lithium	-4 to 250	General Purpose, Low Noise
Dow Corning Molycote 44	432	300	Lithium	-40 to 400	High Temperature



## BEARING UNIT INTERCHANGE

Description	BL	AMI/Asahi	Browning	Dodge	FYH	Fafnir	Hub City	IPTCI	Link Belt	MB/McGill	Peer	Sealmaster
Pillow Blocks	UCP205-16	UCP205-16	VPS-216	P2B-SC-100	UCP205-16	YAS 1	PB251W-1	UCP205-16	P3-U216N	C-25-1	UCP205-16	NP-16
	HCP205-16	UCLP205-16	VPE-216	P2B-SXR-100	NAP205-16	YAS 1	PB221W-1	NAP205-16	P3-Y216N	—	HCP205-16	RP-16E
	UCPK205-16	UGAK205-16	VPLS-216	P2B-SCB-100	SL(UCSL)205-16	YAK 1	PB250W-1	UCPL205-16	PL3-U216N	CL-25-1	UCLP205-16	NPL-16
	HCPK205-16	UGAK205-16	VPLS-216	P2B-SXRB-100	NAPK205-16	YAK 1	PB220W-1	NAPL205-16	PL3-Y216N	—	HCLP205-16	RPL-16E
	SBP205-16G	BP205-16	VPS-116	P2B-VSC-100	EBP205-16	SAS 1	PB251-1	SBP205-16G	P3-S216N	—	FHS205-16G	VP-16
	SBPK205-16G	KHP205-16	VPLS-116	P2B-VSCB-100	EBSL205-16	SAK 1	PB250-1	SBPL205-16G	—	—	FHSLP205-16G	VPL-16
	SAP205-16G	KHP205-16	VPE-116	P2B-SXV-100	EAP205-16	VAS 1	PB221-1	SAP205-16G	P3-W216U	C-35-1	FHSPWC205-16	VP-16E
	UCPX205-16	UCPX05-16	VPS-316	P2B-SCM-100	UCPX05-16	YASM1	PB350-1	UCPX05-16	—	—	UCPX05-16	MP-16
	SBLP205-16G	BLLP5-16	—	—	BLP205-16	—	—	SBLP205-16G	—	—	FHPWC205-16	—
	SALP205-16G	KHLLP205-16	—	—	ALP205-16	—	—	SALP205-16G	—	—	FHPWC205-16	—
UCPA205-16A	UCTB205-16	VTBS-216	TB-SC-100	UCPAN205-16	YTB 2	TPB250W-1	UCPA205-16	PT3-U216N	TBC-25-1	UCPAS205-16	TB-16	
4-bolt Flanges	UCF205-16	UCF205-16	VF4S-216	F4B-SC-100	UCF205-16	YCJ 1	FB250W-1	UCF205-16	F3-U216N	FC4-25-1	UCF205-16	SF-16
	HCF205-16	UGSLF205-16	VF4E-216	F4B-SXR-100	NANF205-16	RCJ 1	FB220W-1	NANF205-16	F3-Y216N	—	HCF205-16	RF-16E
	SBF205-16G	BF205-16	VF4S-116	F4B-VSC-100	EBF205-16	SCJ 1	FB250-1	SBF205-16	—	—	FHSF205-16G	VF-16
	SAT205-16G	KHF205-16	VF4E-116	F4B-SXV-100	EAF205-16	VCJ-1	FB220-1	SAT205-16G	F3-W216U	FC4-35-1	FHF205-16G	VF-16E
UCFX05-16	UCFX05-16	VF4S-316	F4B-SCM-100	UCFX05-16	YCJM-1	FB350-1	UCFX05-16	—	—	UCFX05-16	MSF-16	
3-bolt Flanges	SBFCT205-16G	BTM205-16	VF3S-116	LF-SC-100	—	GSFD 1	FB150-1	SBRFB205-16G	—	—	FHSF3X205-16G	LF-16
	SAFCT205-16G	KHTM205-16	VF3E-116	LF-SXV-100	—	GVFD 1	—	SARFB205-16G	F-WG216U	—	FHF3X205-16G	LF-16E
2-bolt Flanges	UCFL205-16	UGFT205-16	VF2S-216	F2B-SC-100	UCFL205-16	YCJT 1	FB260W-1	UCFL205-16	FX3-U216N	FC2-25-1	UCFT205-16	SFT-16
	HCFL205-16	UCFT205-16	VF2E-216	F2B-SXR-100	NANFL205-16	RCJT 1	FB230W-1	NANFL205-16	FX3-Y216N	—	HCFT205-16	RFT-16E
	SBFL205-16G	BFT205-16	VF2S-116	F2B-VSC-100	EBFL205-16	SCJT 1	FB260-1	SBFL205-16G	FX3-S216E	—	FHSFT205-16G	VFT-16
	SAFL205-16G	KHFT205-16	VF2E-116	F2B-SXV-100	EAF205-16	VCJT 1	FB230-1	SAFL205-16G	FX3-W216U	—	FHFT205-16G	VFT-16E
	UCFLX05-16	UCFLX05-16	VF2S-316	F2B-SCM-100	UCFLX05-16	YCJTM 1	—	UCFLX05-16	—	FC2-35-1	UCFTX05-16	MSFT-16
	SBLF205-16G	BLFL5-16	—	—	BLF205-16	—	—	SBLF205-16G	—	—	FHSLF205-16G	—
SALF205-16G	KHLF205-16	—	—	ALF205-16	—	—	SALF205-16G	—	—	FHLF205-16G	—	
SBPFTD205-16G	BFX205-16	VF2S-116M	LFT-SC-100	—	—	GSFTD 1	FB110/160-1	SBLF205-16GH4	FX-UG216N	—	FHSFX205-16G	—
SAPFTD205-16G	KHFX205-16	VF2E-116M	—	—	—	GVFTD 1	—	SALF205-16GH4	FXR-UG216N	—	FHF205-16G	—
Piloted Flanges	UCFC205-16	UCFC205-16	VFC-216	FC-SC-100	UCFC205-16	—	—	UCFC205-16	—	—	UCFC205-16	—
Flange Brackets	UCFB205-16A	UCFB205-16	VFBS205-16	FB-SC-100	UCFB205-16	—	—	UCFB205-16	FB3-U216N	MFB-1	UCFB205-16	FB-16
Take-up Units	UCST205-16	UCST205-16	VTWS-216	WSTU-SC-100	UCT205-16	YTU 1	WSTU250-1	UCT205-16	TH3-U200N	—	UCT205-16	ST-16
	HCST205-16	UGST205-16	VTWE-216	WSTU-SXR-100	NAT205-16	RTU 1	WSTU220-1	NAT205-16	—	—	HCT205-16	RT-16E
Hanger Units	UCHA205-16	UCECH205-16	—	SCHB-SC-100	UCHA205-16	RHC 1	—	UCHA205-16	—	MEHB-1	UCHA205-16	SEHB-16
Insert Bearings	UC205-16	UC205-16	VS-216	INS-SC-100	UC205-16	GY1100KRRB	YW250-1	UC/UCW205-16	UG216NL	MB-25-1	UC205-16	2-1
	HC205-16	UCX05-16	VE-216	INS-SXR-100	NA205-16	G1100KRRB	YW220-1	NA/NAW205-16	YG216NL	—	HC205-16	R-16E
	UCX05-16	UCX05-16	VS-316	INS-SCM-100	UCX05-16	GYM100KRRB	B350-1	UCX05-16	—	—	UCX05-16	3-1
	SER205-16	SER205-16	VER-216	—	ER205-16	ER-16	—	ER205-16	—	MB-35-1	SER-16	ER-16
	SB205-16G	B5-16	VS-116	INS-VSC-100	SB205-16KPB	GYA100RRB	B250-1	SB205-16G	SG216EL	—	FHS205-16	V-16
CSB205-16	BR5-16	SLS-116	INS-CC-100	SBB205-16	YA100RR	—	CSB205-16	—	MSLN-16	FHSR205-16	SL-16	
SA205-16G	KH205-16	VE-116	INS-SXV-100	SA205-16FF9	GRAT100RRB	B220-1	SA205-16G	WG216UL	—	FH205-16	V-16E	
CSA205-16G	KHR205-16	SLE-116	—	SAA205-16	RA100RR	—	CSA205-16N	WBG216UL	—	FHR205-16	SL-16E	

\* (Caution: Some manufacturers locate grease access holes and/or anti-rotation devices at different positions.)

\* (All shown in 1" size)





In a partnership agreement, BL is proud to offer TRITAN power transmission products. TRITAN is a world-class manufacturer of high quality roller chain, sprockets, bushings and pulleys. Request a copy of the TRITAN Power Transmission Products catalog from your local distributor.



Other BL products include:

- Self-Aligning Ball Bearings • Spherical Roller Bearings • Spherical Plain Bearings
- Roller Clutch Bearings • Mast Guide Bearings • Needle Bearings
- Cam Followers • Rod Ends



®

BL Bearings  
2100 Pacific Drive  
Hauppauge, NY 11788  
631-273-8200  
[www.bl-bearings.com](http://www.bl-bearings.com)

Distributed by: