

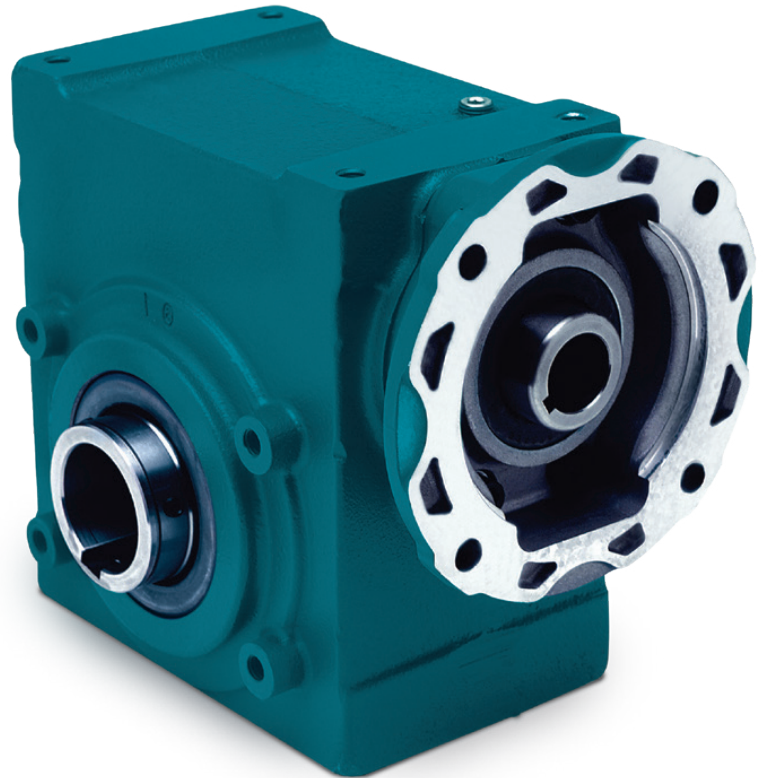


GEARING

TIGEAR[®]-2

Tigear stands for “Tough Industrial Gear” and was built on the proud Dodge[®] legacy of reliability, innovation, and safety. Tigear-2 is designed with an advanced, ventless sealing system and specialized gearing to optimize performance in demanding conditions.

Available in center distances of 1.33–4.75 inches, Tigear-2 provides extreme application flexibility. Whether the application requires the compactness of a quill-style input or the durability of a three-piece coupled input, Tigear-2 is the answer.

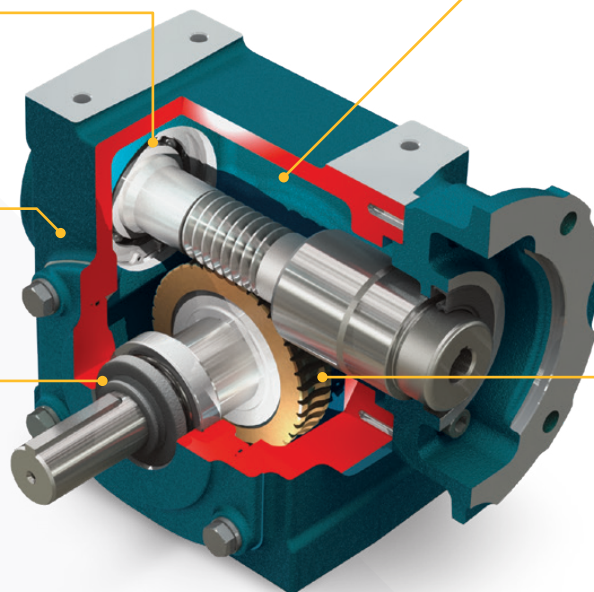


Long-lasting performance in a maintenance-free design

Robust ball bearings and tapered roller bearings provide best-in-class longevity

Ventless design with no breather to install eliminates oil contamination risk

HNBR seals with specialized hydrodynamic wave design for five times longer life than standard NBR seals and greater operating temperatures than Viton



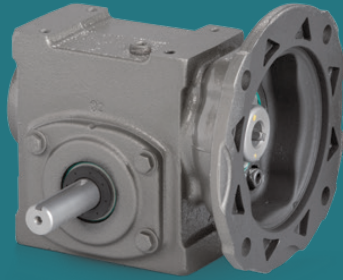
Factory-filled with H1 food-grade PAG synthetic lubricant to maximize oil life, allow for mounting in any position, and lower operating temperatures by up to 20°F

Built with the uncompromising Dodge design standard featuring precision-cut gearing with fine-grain bronze to maximize durability and minimize wear

Designed to withstand your rigorous washdown needs

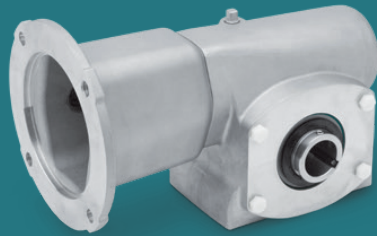
E-Z Kleen®

The corrosion-resistant design provides robust protection for washdown environments in food handling, packaging, and pharmaceutical applications.



FoodSafe™

A total stainless-steel solution designed for food industry sanitation standards and engineered for ultimate reliability in harsh, washdown food and beverage applications.



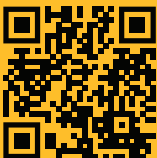
Both the E-Z Kleen and Food Safe™ versions of Tigear-2 are IP69 rated for water and backed by an unprecedented 1-year warranty against failure due to water ingress.

IP69
RATED 

The toughest worm gearbox in the industry

Through extensive lab testing, Tigear-2 is the proven premier solution to ensure you get the longest life out of your gearbox. When compared side-by-side it outperforms and outlasts the competition.

Scan here to discover what makes Tigear-2 so tough.



XT two-piece output seal

Axial sealing lip for superior water and contamination exclusion

Rubber-ID sleeve for ease of installation and corrosion protection

Axial bumper to ensure proper loading on axial lip

Grease packed for extended life

Stainless outer-diameter-seal case

