



## ONE-TOUCH INSPECTION DOOR®

Easy Access to Your Operation



## EASY ACCESS TO YOUR CONVEYORS

Tsubaki One-Touch Inspection Doors<sup>®</sup> are dust and moisture tight and designed specifically for industrial conveyor enclosures and material processing/handling equipment. These unique, patented, lockable, pre-fabricated units are simple to install and allow for quick and easy access without any special tools. No loose parts or bolts to misplace.

Tsubaki One-Touch Inspection Doors are each carefully crafted in the United States to insure



premium workmanship and lasting durability. Common sizes and configurations in both mild steel and stainless steel are readily stocked for quick and efficient turnaround. Custom Made-To-Order sizes and configurations are available upon request. Regardless of your project, Tsubaki has a One-Touch Inspection Door to meet your needs and save you time.

One-Touch Inspection Door was specifically designed to last - indoors or out. In fact, it has a three-part patented design.

1. The framework is made of high quality mild steel or stainless steel to ensure durability and long service life.
2. The strong, long-lasting hinges and self-locking handles open and close easily.
3. The specially designed gaskets withstand temperatures of  $-95^{\circ}\text{F}$  to  $550^{\circ}\text{F}$  and ensure a tight fit against water and dust.

Best of all, the One-Touch Inspection Door installs quickly to existing equipment, without detailed dimensioning or costly structural changes.



STANDARD MODEL	
Description	Material Thickness
Frame	1/8"
Cover	13 gauge

GASKET OPTIONS	
Material	Temperature Ranges
Polyethylene(SG)	-95°F to 175°F
Epichlorhydrin (ECH)	-40°F to 275°F
Silicon Rubber (HT)	-67°F to 400°F

COMPONENT COMPOSITION		
Model Number	Body Material	Handle Material
P Series	Mild Steel with rust-proof primer	Chrome-plated
Q Series	304 Stainless Steel	Chrome-plated
R Series	304 Stainless Steel	304 Stainless Steel
QS Series*	316L Stainless Steel	Chrome-plated
RS Series*	316L Stainless Steel	304 Stainless Steel

\* Call for Availability

### STANDARD ONE-TOUCH INSPECTION DOOR SPECIFICATIONS

Style/Model No.		Door Frame				Cover					Lever			Approx Weight (lbs.)	
Reg.	High Neck	A	B	H		A1	A2	B1	H1		L1		Qty.	Reg.	High Neck
				Reg.	High Neck				Reg.	High Neck	Reg.	High Neck			
P1	P1H	5	8	2	4	6 ¼	8 ½	9	2 ½	4 ½	4 ½	6 ½	1	5	6
P2	P2H	8	12	2	4	9	11 ¼	13	2 ½	4 ½	4 ½	6 ½	1	7	9
P3	P3H	13 ¾	19 ¾	2	4	15	17 ¼	20 ¾	2 ½	4 ½	4 ½	6 ½	2	13	18
P4		19 ¾	23 ½	3	N/A	20 ¾	23 ¼	24 ¾	3 ½	N/A	4 ½	N/A	2	24	N/A
<b>304 Stainless Steel Body, Chrome-Plated Handle</b>															
Q1	Q1H	5	8	2	4	6 ¼	8 ½	9	2 ½	4 ½	4 ½	6 ½	1	5	6
Q2	Q2H	8	12	2	4	9	11 ¼	13	2 ½	4 ½	4 ½	6 ½	1	7	9
Q3	Q3H	13 ¾	19 ¾	2	4	15	17 ¼	20 ¾	2 ½	4 ½	4 ½	6 ½	2	13	18
Q4		19 ¾	23 ½	3	N/A	20 ¾	23 ¼	24 ¾	3 ½	N/A	4 ½	N/A	2	24	N/A
<b>304 Stainless Steel Body, 304 Stainless Steel Handle</b>															
R1	R1H	5	8	2	4	6 ¼	8 ½	9	2 ½	4 ½	4 ½	6 ½	1	5	6
R2	R2H	8	12	2	4	9	11 ¼	13	2 ½	4 ½	4 ½	6 ½	1	7	9
R3	R3H	13 ¾	19 ¾	2	4	15	17 ¼	20 ¾	2 ½	4 ½	4 ½	6 ½	2	13	18
R4		19 ¾	23 ½	3	N/A	20 ¾	23 ¼	24 ¾	3 ½	N/A	4 ½	N/A	2	24	N/A

### MADE-TO-ORDER ONE-TOUCH INSPECTION DOOR SPECIFICATIONS

<b>316L Stainless Steel Body, Chrome Plated Handle</b>															
QS1	QS1H	5	8	2	4	6 ¼	8 ½	9	2 ½	4 ½	4 ½	6 ½	1	5	6
QS2	QS2H	8	12	2	4	9	11 ¼	13	2 ½	4 ½	4 ½	6 ½	1	7	9
QS3	QS3H	13 ¾	19 ¾	2	4	15	17 ¼	20 ¾	2 ½	4 ½	4 ½	6 ½	2	13	18
<b>316L Stainless Steel Body, 304 Stainless Steel Handle</b>															
RS1	RS1H	5	8	2	4	6 ¼	8 ½	9	2 ½	4 ½	4 ½	6 ½	1	5	6
RS2	RS2H	8	12	2	4	9	11 ¼	13	2 ½	4 ½	4 ½	6 ½	1	7	9
RS3	RS3H	13 ¾	19 ¾	2	4	15	17 ¼	20 ¾	2 ½	4 ½	4 ½	6 ½	2	13	18

Dimensions are in inches unless otherwise indicated and are rounded to the nearest ¼".

LARGE MODEL	
Description	Material Thickness
Frame	1/4"
Cover	10 gauge

GASKET OPTIONS	
Materials	Temperature Ranges
Silicon Rubber (HT)	-80°F to 550°F

COMPONENT COMPOSITION	
L Series	Options
Body Material	Mild Steel, Stainless Steel*
Lever Material	Mild Steel, Stainless Steel*
Body Finish	Rust-proof Primer
Handle Finish	Chrome-plated
Gasket Option	Silicon Rubber

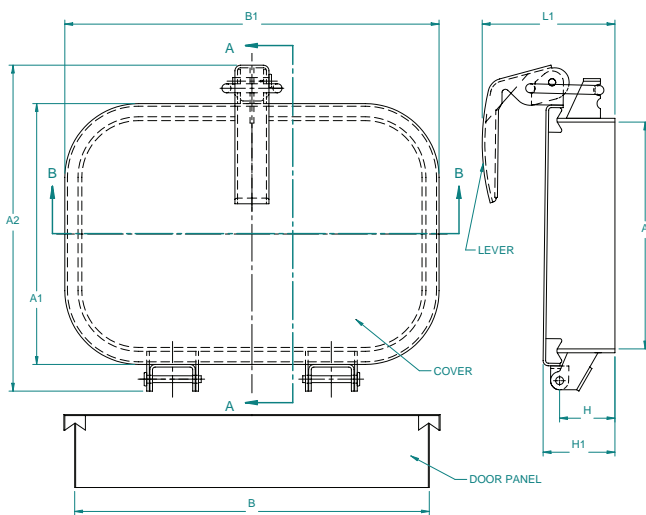


\* Call for Availability

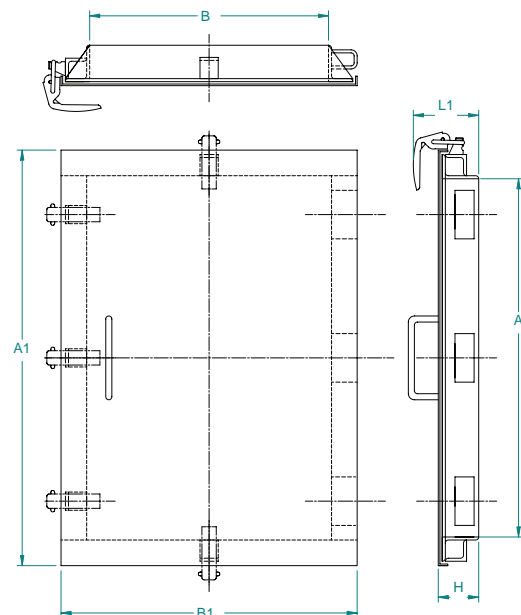
LARGE ONE-TOUCH INSPECTION DOOR SPECIFICATIONS								
Approx Model No.	Door Opening		Cover			Lever		Approx Weight (lbs)
	A	B	A1	B1	H	L1	Qty.	
L1	29 ½	19 ¼	34 ¼	24 ½	3 ¼	5 ¼	5	80
L2	39 ¼	25 ½	44	30 ¼	3 ¼	5 ¼	6	111
L3	47 ¼	31 ½	52	36 ¼	3 ¼	5 ¼	8	141

Dimensions are in inches unless otherwise indicated and are rounded to the nearest ¼".

## STANDARD MODEL

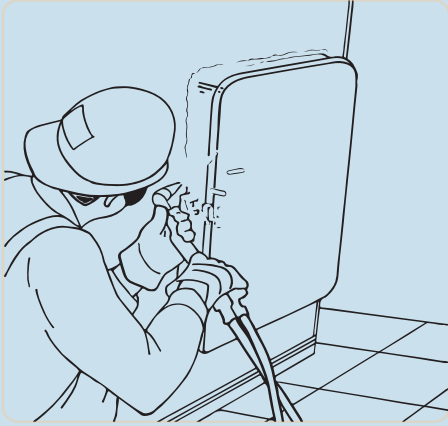


## LARGE MODEL



# ONE-TOUCH INSPECTION DOOR<sup>®</sup>

## EASY ACCESS IN 3 EASY STEPS



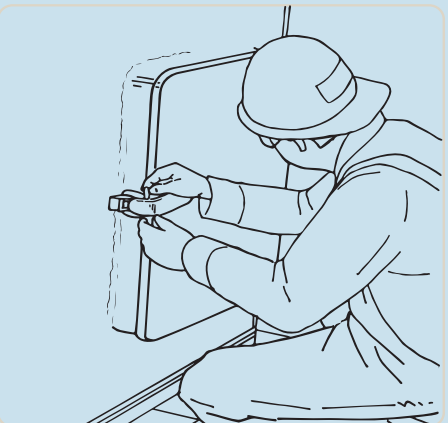
### 1. POSITION THE DOOR

Place the door frame at the appropriate site and tack weld it into position. Then solidly weld the frame to the surface.



### 2. CUT THE INSIDE HOLE

Open the door and carefully torch burn the center to create the access point.



### 3. COMPLETE INSTALLATION

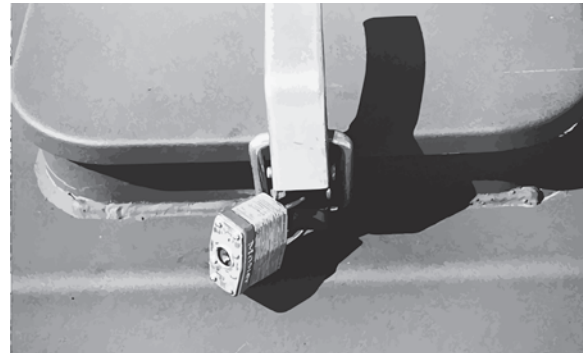
After the area has cooled, attach the lever, apply the gasket, and place the safety warning label in a prominent position.

## Tsubaki One-Touch Inspection Doors:

- Durable and trouble-free
- Dust and rain tight
- Easy to open
- Easy to install

## KEY SAFETY FEATURES:

- Lockout Ability - A simple padlock can be used on any door to prevent entry to equipment.



- Protective Screen - A protective screen for visual inspection is available for immediate shipment on P1, P2 and P3 styles\*. Meets OSHA standards. (\*Special order for other styles)



# Some of Tsubaki's Other Problem Solving Products



Sealed Joint Chain Options



Backstops & Overrunning Clutches



Steel Cable Carriers



Continuous-Flex Cables



SMART TOOTH® Sprockets



Lube-Free Lambda® Chain



Corporate Headquarters  
U.S. Tsubaki Power Transmission, LLC  
301 E. Marquardt Drive  
Wheeling, IL 60090  
Tel: (800) 323-7790  
[www.ustsubaki.com](http://www.ustsubaki.com)



Roller Chain Division  
821 Main Street  
Holyoke, MA 01040  
Tel: (800) 323-7790



Conveyor and Construction Chain Division  
1010 Edgewater Drive  
Sandusky, OH 44870  
Tel: (800) 537-6140



Sprocket Manufacturing  
Mississauga, Ontario  
Tel: (800) 323-7790



Cable & Hose Carrier Division  
7100 W. Marcia Rd  
Milwaukee, WI 53223  
Tel: (800) 443-4216

Note: In accordance with the policy of U.S. Tsubaki Power Transmission, LLC to consistently improve its products, the specifications in this brochure are subject to change without notice. The logos, brand names or product names in this brochure are trademarks or registered trademarks of Tsubakimoto Chain Co. and its subsidiaries in Japan, the U.S. and other countries.