



NEW

Grooved Pipe Coupling

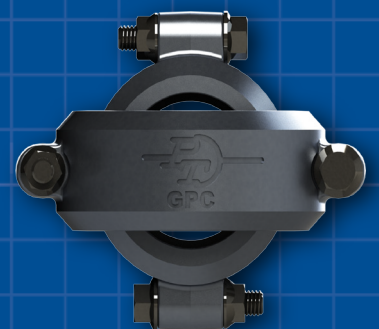
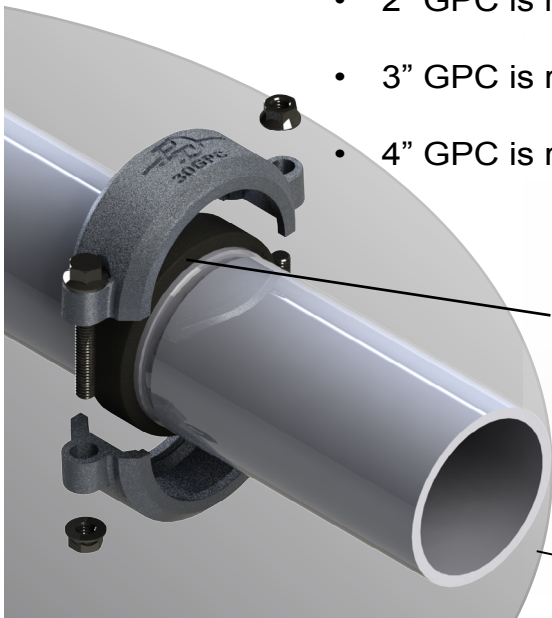
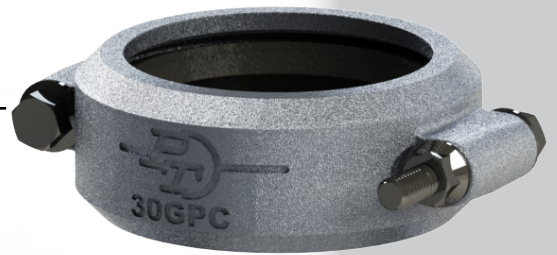
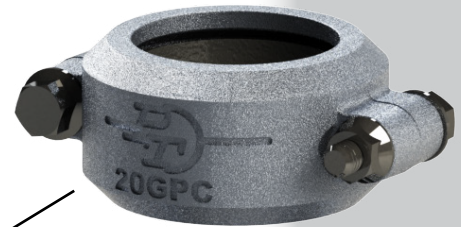
PT COUPLING COMPANY's Aluminum Grooved Pipe Couplings are designed for a cost effective alternative to heavy duty grooved pipe couplings. The tank truck industry standard couplings feature serrated stud bolts and nuts to help prevent loosening from vibration. The integrated stud bolts give the operator the advantage for a quick and easy assembly.

PT Aluminum Grooved Pipe Couplings can be used on any grooved pipe connection that does not require high pressure and heavy duty connection of a traditional iron pipe grooved coupling.

- 2" GPC is rated up to 400PSI
- 3" GPC is rated up to 200PSI
- 4" GPC is rated up to 150PSI

Seals are available in **Viton®** or **Buna**

EXPLODED VIEW OF THE 30GPC

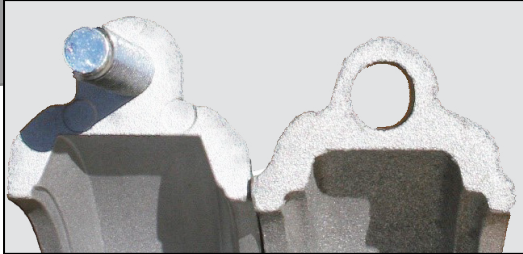


PT Coupling

Contact us for more information at info@ptcoupling.com / 1-800-654-0320 / WWW.PTCOUPPING.COM

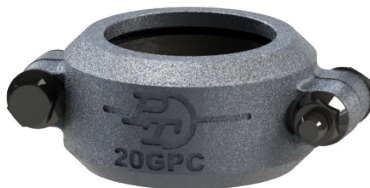


Grooved Pipe Coupling



PT Grooved Pipe Coupling's unique profile protects the seal from damage by allowing more room to expand during installation.

PT40GPC (LEFT) VS. COMPETITORS (RIGHT)



SIZE	SEAL	ITEM#
2"	VITON®	80120V
	BUNA	80120B
3"	VITON®	80130V
	BUNA	80130B
4"	VITON®	80140V
	BUNA	80140B



Contact Us

www.ptcoupling.com

1414 East Willow -- Enid, OK 73701

Toll Free: 800-654-0320 -- Fax: 800-828-2649

Email: info@ptcoupling.com



ISO 9001 CERTIFIED

