

JRW WORM GEAR UNIT



JRW Series

Size: 30 -150

Ratio: 5 -100

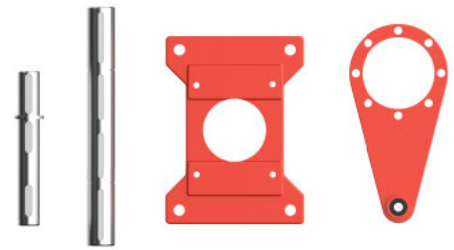
Input Power: 0.08 -20 HP

Output torque: 23-15580 lb-in

Local Inventory in Carol Stream, IL

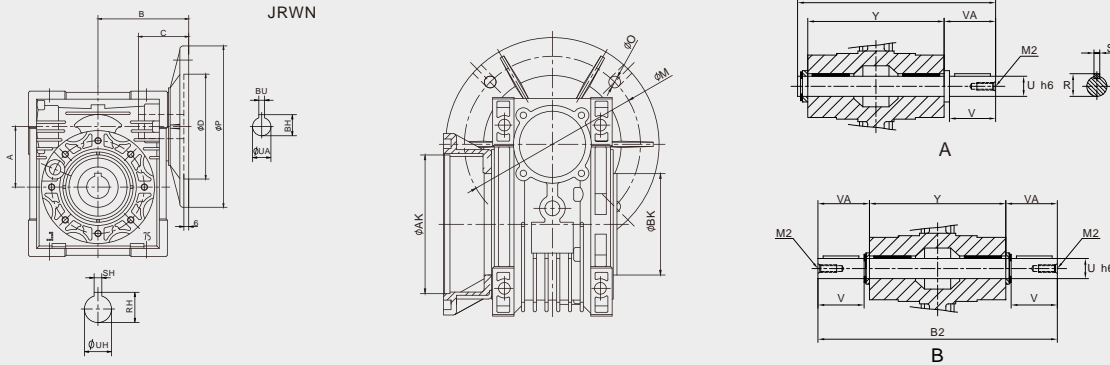
Same Day Delivery

- NSK Bearing & SKF Seal
- Size 30-90 Alu housing
- Size 110-150 Cast Iron



JRWND Gearbox Dimensions

IEC & Servo Adapter available



A	NEMA	B	C	UA	tolerance	BU	BH	D	P	M	O	UH	tolerance	RH	SH	AK	tolerance	BK	tolerance	V	VA	Y	U	tolerance	R	S	B2	L	M2
30	48C	67	46	12.7	+0.038 +0.013	3.18	14.2	76.2	142.9	95.3	8.2	15.88	+0.018 0	18.04	4.78	50	+0.046 0	55	0 -0.046	40	42.4	63	15.88	0 -0.011	17.8	4.78	148	112	1/4" 20
40	56C	80	55	15.88	+0.038 +0.013	4.78	18.1	114.3	165.1	149.4	10.5	19.05	+0.025 0	21.3	4.78	60	+0.046 0	60	0 -0.046	50	53	78	19.05	0 -0.011	21.1	4.76	184	138	1/4" 20
50	56C	90	55	15.88	+0.038 +0.013	4.78	18.1	114.3	165.1	149.4	10.5	25.40	+0.025 0	28.3	6.35	70	+0.046 0	70	0 -0.046	50	53.5	92	25.4	0 -0.013	28.2	6.35	199	153	3/8" 16
63	56C	105	55	15.88	+0.038 +0.013	4.78	18.1	114.3	165.1	149.4	10.5	28.58	+0.025 0	31.5	6.35	115	+0.054 0	80	0 -0.054	60	63.5	112	28.58	0 -0.013	31.2	6.35	239	183	3/8" 16
	140TC	105	59	22.23	+0.038 +0.013	4.78	24.6	114.3	165.1	149.4	10.5	28.58	+0.025 0	31.5	6.35	115	+0.054 0	80	0 -0.054										
75	56C	126	55	15.88	+0.038 +0.013	4.78	18.1	114.3	165.1	149.4	10.5	31.75	+0.025 0	34.8	6.35	130	+0.063 0	95	0 -0.054					0 -0.013	34.5	6.35	267	202	1/2" 13
	140TC	126	59	22.23	+0.038 +0.013	4.78	24.6	114.3	165.1	149.4	10.5	31.75	+0.025 0	34.8	6.35	130	+0.063 0	95	0 -0.054	70	73.5	120	31.75	0 -0.013	34.5	6.35	267	202	1/2" 13
	180TC	126	76	28.58	+0.038 +0.013	6.35	31.5	215.9	228.6	184.2	14	31.75	+0.025 0	34.8	6.35	130	+0.063 0	95	0 -0.054										
90	56C	143	55	15.88	+0.050 +0.013	4.78	18.1	114.3	165.1	149.4	10.5	34.93	+0.025 0	38.6	7.94	152	+0.063 0	110	0 -0.054					0 -0.013	38.3	7.94	309	234	1/2" 13
	140TC	143	59	22.23	+0.038 +0.013	4.78	24.6	114.3	165.1	149.4	10.5	34.93	+0.025 0	38.6	7.94	152	+0.063 0	110	0 -0.054	80	84	140	34.93	0 -0.013	38.3	7.94	309	234	1/2" 13
	180TC	143	76	28.58	+0.038 +0.013	6.35	31.5	215.9	228.6	184.2	14	34.93	+0.025 0	38.6	7.94	152	+0.063 0	110	0 -0.054										
110	140TC	173	59	22.23	+0.050 +0.013	4.78	24.6	114.3	165.1	149.4	10.5	41.28	+0.025 0	45.7	9.53	170	+0.063 0	130	0 -0.063					0 -0.013	45.4	9.53	344	259	5/8" 11
	180TC	173	76	28.58	+0.038 +0.013	6.35	31.5	215.9	228.6	184.2	14	41.28	+0.025 0	45.7	9.53	170	+0.063 0	130	0 -0.063	90	94.5	155	41.28	0 -0.013	45.4	9.53	344	259	5/8" 11
	210TC	173	89	34.93	+0.050 +0.013	7.95	38.6	215.9	228.6	184.2	14	41.28	+0.025 0	45.7	9.53	170	+0.063 0	130	0 -0.063										
130	140TC	193	59	22.23	+0.050 +0.013	4.78	24.6	114.3	165.1	149.4	10.5	44.45	+0.025 0	48.8	9.53	180	+0.063 0	180	0 -0.063					0 -0.013	48.7	9.53	360	275	5/8" 11
	180TC	193	76	28.58	+0.038 +0.013	6.35	31.5	215.9	228.6	184.2	14	44.45	+0.025 0	48.8	9.53	180	+0.063 0	180	0 -0.063	90	95	170	44.45	0 -0.013	48.7	9.53	360	275	5/8" 11
	210TC	193	89	34.93	+0.050 +0.01	7.95	38.6	215.9	228.6	184.2	14	44.45	+0.025 0	48.8	9.53	180	+0.063 0	180	0 -0.063										
150	180TC	5	76	28.58	+0.050 +0.013	6.35	31.5	215.9	229	184.2	14	50.8	+0.025 0	56.4	12.7	180	+0.063 0	180	0 -0.063	100	105	200	50.8	0 -0.019	56.3	12.7	410	315	3/4" 10
	210TC	215	89	34.93	+0.050 +0.013	7.95	38.6	215.9	229	184.2	14	50.8	+0.025 0	56.4	12.7	180	+0.063 0	180	0 -0.063										



JIE USA INC.

493 Mission St. Carol Stream, IL 60188 USA
Tel: +1 630 580-9986
www.jie-drives.com

