

Martin

Material
Handling

Impact Bed





Extend belt and component life while reducing costs with a seamless integration

Martin engineers and delivers impact beds that seamlessly integrate into your current conveyor. Users are supported by the industry's largest inventory position, extensive manufacturing footprint across North America, and a dedicated sales team of application and product experts providing after-hours support 24 hours a day, 7 days a week, 365 days a year. Our goal is to help users improve conveyor belt load-zone performance by offering impact protection to the belt and components while reducing material spillage.



Extend conveyor belt and component life



Seamless integration



Reduce costs

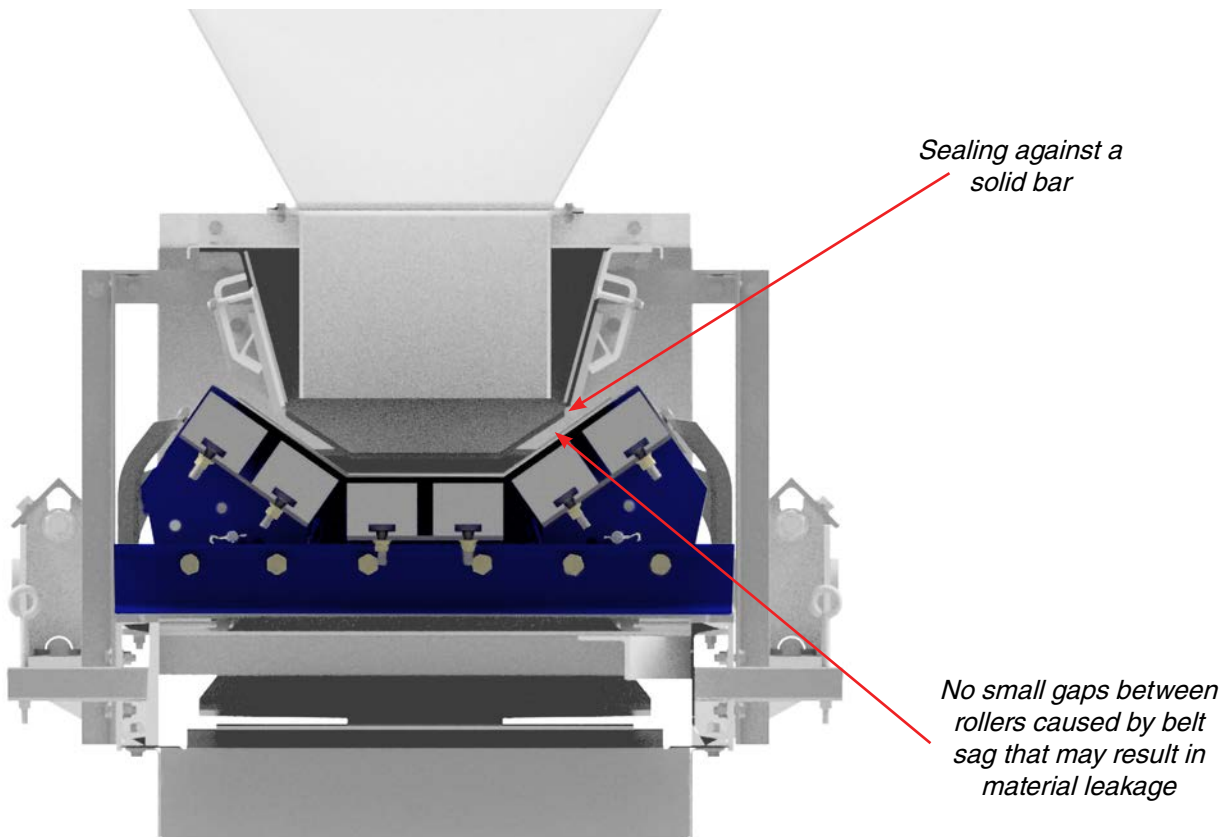


Extend conveyor belt and component life

Maximum belt support

Martin impact bed construction includes closely spaced impact bars with UHMW caps providing maximum belt support. The bar design and adjustable frame angle protects against material spillage while reducing stress on the belt and components.

Martin impact beds are engineered to provide protection to your conveyor belt and structure from impact damage caused by bulk material being loaded onto the belt. The impact of heavy loading can affect the continuous operation of your conveyor. Martin impact beds are engineered to provide impact protection and reduce spillage in the conveyor load zone.





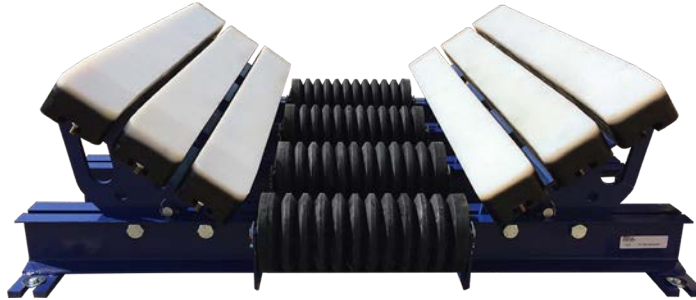
Seamless integration

Modular design for adaptability

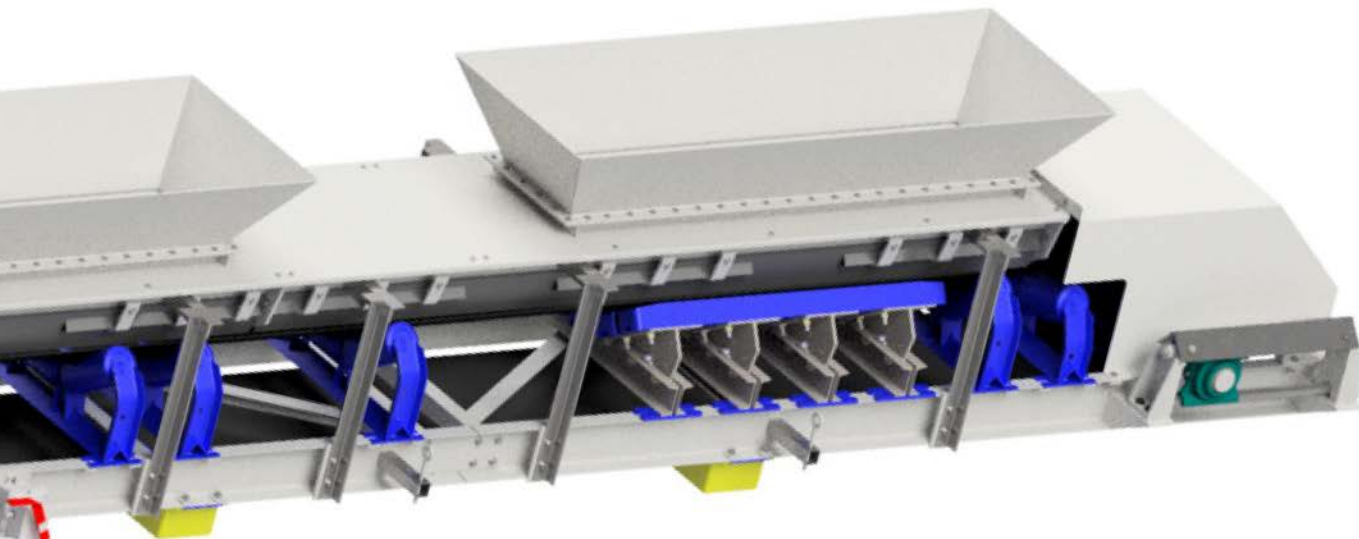


Impact bed

- Adjustable trough angle
 - 20° and 35°
- Standard impact bed lengths
 - 4 ft and 5 ft
- Standard and heavy-duty
 - Standard up to 750 lb-ft impact
 - Heavy up to 2,000 lb-ft impact
- Replacement impact bars available
 - 4 ft and 5 ft
- Same bolting gage as CEMA idlers
- Engineered class impact beds available



Impact slider bed

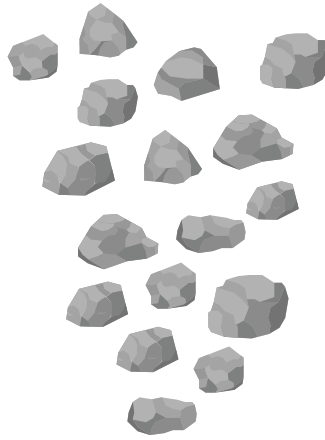




Reduce costs

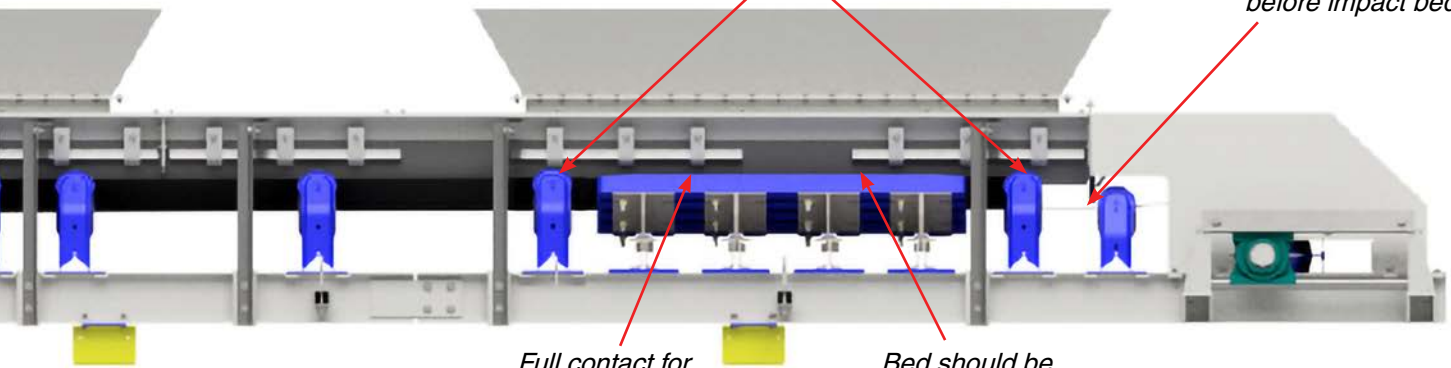
Arrives ready to install

Factory assembled and ready to install upon delivery allows for consistent quality control while ensuring all components fit correctly for a fast and safe installation.



*Troughing idler before
and after impact bed*

*Transition to full trough
before impact bed*



*Full contact for
reduced spillage*

*Bed should be
installed minimal 1/2"
below the belt line*

Impact Bed
Animation
Video

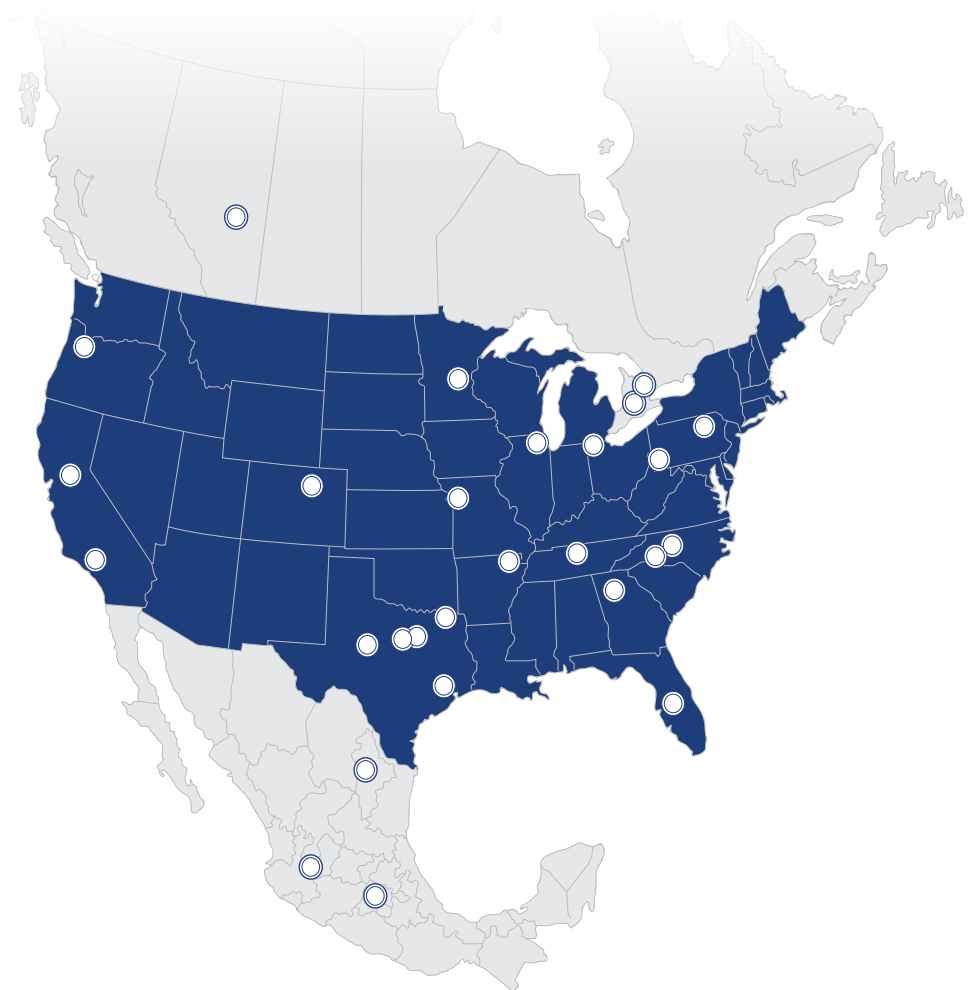




Reduce costs

Extensive manufacturing footprint

Martin's extensive inventory throughout North America allows users to reduce on hand inventory and downtime costs with same-day stock availability for full assembly and components.



\$41M

Mining, Aggregate and Cement



\$178M

Annual Reduced Downtime



\$37M

Forest and Paper



\$80K

Annual documented savings per user



\$31M

Food and Beverage



1.41

Average Days to ship anywhere in North America



martinsprocket.com

COPYRIGHT© 2022 • MARTIN SPROCKET & GEAR, INC. • ALL RIGHTS RESERVED • IDB-IMPBED • 4/18/22